



WESCO[®]

AN INTEGRATED WAREHOUSE SOLUTIONS BRAND

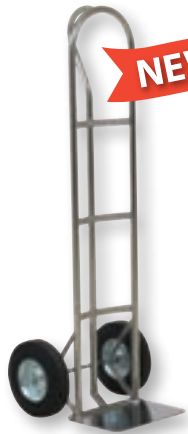
MASTER CATALOG

WESCO



For All Your Material Handling Needs

www.wescomfg.com | 1-800-445-5681



Economy
304 Stainless Steel
Drum Truck
Page 8



Ergonomic Drum Dispensers -
Manual Tilters or
Gear Tilters with Crank
Page 15



Options for Office Lifts
Page 67

and introducing...



ADVANTAGE™ Pallet Trucks
Page 48



ADVANTAGE™ PRO Pallet Trucks
Page 48



ADVANTAGE™ Power Semi-Electric Pallet Trucks
Page 52



ADVANTAGE™ PRO-Power Fully-Electric Pallet Trucks
Page 52

New Products from Wesco



Power and Manual Drum Rotators
Page 65



Large Liquid Gas Cylinder Cart with Power Drive
Page 31



Custom Dock Seals
Page 99

Precision Lift Tables
Page 78



the **ADVANTAGE** Line!



ADVANTAGE™ PRO-MAX Pallet Trucks
Page 49



ADVANTAGE™ PRO-MAX All-Terrain Pallet Trucks
Page 49



ADVANTAGE™ PRO-MAX Scale Pallet Trucks
Page 49



ADVANTAGE™ PRO-MAX Heavy Duty Power Pallet Trucks
Page 53





DRUM HANDLING EQUIPMENT

Drum Trucks - Steel, Aluminum, Stainless , 4-Wheel Drum Cart, KD Drum Truck, Stainless 626-D	5-8
Drum Dollies - Steel, Aluminum, Stainless Steel & Polypropylene, Pail Truck & Pail Tipper	9-10
Drum Trucks, Carriers, Dispensers	11
Drum Racks, Cradles	12
Drum Lifters, Steel & Stainless Steel , Drum Sling	13
Ergonomic Drum Lifters, Steel & Stainless Steel , Manual, Scale, Powered, High Reach	14
Ergonomic Drum Tilters, Steel, Manual, Powered, High Reach	15
Drum Dispensers, Triple Truck Drum Attachment	16
Gator Grip Drum Grab	17
Fork Drum Grabs, Fork Truck Drum Dispensers, Poly Drum Lifters	18
FM Approved Drum Faucets, Plastic Drum Faucets	19
FM Approved Drum Vent, Wires, Gauges, Funnel, Pop-Up Gauges	20
Drum Deheaders & Wrenches	21
Drum Pumps & Drip Pans, Stainless Steel Rotary Pump	22

HAND TRUCKS

Industrial Duty Steel Hand Trucks, Stainless Steel Hand Truck	23-24
Touch-N-Tilt, Drum Hand Trucks, Stainless Steel Drum Truck , 4-Wheel Drum Cart	25
Heavy Duty Steel Hand Trucks	26
Heavy Duty Warehouse and Convertible Hand Trucks	27
Standard Duty Steel Hand Trucks	28
Economy, Convertible Hand Trucks, Curb Ramp	29
Cylinder Carts and Trucks, Power Drive Large Liquid Cylinder Cart	30-31
Aluminum Cobra-Lite Hand Trucks, Options, Components, Handles	32-35
Aluminum Cobra Convertible, Spartan Economy Convertible, Spartan III	36-37
Powered CobraPro	38
Power LiftKar, StairKing Stairclimbing Trucks, Options	39-43
Vending & Appliance Trucks, Steel & Aluminum, Standard & Heavy Duty	43-44

PALLET TRUCKS

Deluxe Pallet Trucks	46-47
ADVANTAGE ™ Pallet Trucks	48-49
CP Pallet Trucks	50-51
ADVANTAGE ™ Power Pallet Trucks	52-53
Specialty Pallet Trucks	54-56
Manual, Electric High Lifts, Steel, Stainless	57
Pallet Jack Stop, Pallet Truck Chock, 3 in 1 Adapter, Backrest Guards	58

LIFT EQUIPMENT

Steel Pedalifts: Winch & Hydraulic Lifters, Stainless Pedalifts	59-60
Special Application Hydraulic & Winch Lifts	61
Triple Truck, Aluminum Pedalifts	62
Hand Winch Lifts, Premium Light Weight Duty Winch Lift	63
Platform Stackers, 1,000 lb Winch Stackers	64
Manual & Power Drum Rotators	65
Fork Stackers, 1,000 lb	66
Value Office Lifts and Stackers, Options	67
2,200 lb Power Drive & Counter-Balance Stackers	68
1,000, 1,500, 2,000 lb Powered Stackers-Platform, Fork, Adjustable, Telescoping, Dual Platform Stacker	69-71
Wesco®, Lexco® Hydraulic Lift Tables, Lexco Die Handlers, Roller & Ball Transfer Tops	72-78
Precision Lift Tables	78
Scissors Lift Tables, Double Scissors Table, Long Deck Tables	79-80
Powered Lift Scissors Tables	81
Pallet Levelers, Spring & Pneumatic	82
Rais-N-Rol™ Machinery Movers, Furniture Movers & Trolleys	83-84

PLATFORM TRUCKS, CARTS & DOLLIES

Platform Trucks - Aluminum, Steel Grid, Steel, Panel Cart, Power Drive, Wood Dollies	85-88
Wire Cage & Panel Carts	89
U-Boats; Aluminum, Steel, Wood, Shelf Option	90
Folding-Handle Platform Trucks; Steel, Aluminum, Stainless	91-92
Steel, Stainless Steel Carts	93
Plastic Platform Trucks	94
Wire Basket & Table Top Office Carts	95
Lightweight Folding Trucks	96
Tilt Carts	97
Polyethylene Tub Carts	98

DOCK AND SHIPPING EQUIPMENT, WIRE SHELVING AND WHEELS

Dock Seals	99
Strapping Truck & Tools, UL Approved Dock Lights	100
Trailer Stabilizing Jacks	101
Fork Extensions, Maintenance Platform, Battery Transfer Cart, Trolleys	102
Wheels	103

IWS PARTNER COMPANIES

Bluff Manufacturing	104
Nordock Inc.	106

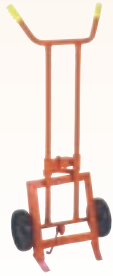
A WESCO EXCLUSIVE
5 YEAR GUARANTEE
 ★ AGAINST WELD FAILURE ★

DRUM TRUCK FEATURES:

- Heavy duty, double-welded joints.
- 1" structural steel frame.
- Kickstands to store upright.



5BT



5BTW

5BT & 5BTW Economy Series

- Kickstand.
- With wheels resting on floor, 22" to center of lowered chime hook.
- **Steel drums only.**
- Handles 55 & 85 gallon steel drums.

OVERALL DIMENSIONS

w: 24.5"
 h: 62"
 d: 17"



10BT



10BTW

10BT & 10BTW Standard Series

- Machined steel load wheels behind nose prongs help ease the lifting of the drum.
- With wheels resting on floor, 22" to center of lowered chime hook.
- **Steel drums only.**
- Handles 55 & 85 gallon steel drums.

OVERALL DIMENSIONS

w: 24.5"
 h: 61"
 d: 14.5"



15BT



15BT & 15BTW Deluxe Series

- Four wheel design enables user to quickly and easily load and unload drums from pallet.
- With two wheels resting on floor, 20.5" to center of lowered chime hook.
- Replaceable hard faced double-beveled nose prongs, Part # 240060.
- **Steel drums only.**
- Handles 30, 55 & 85 gallon steel drums.

OVERALL DIMENSIONS

w: 24"
 h: 58"
 d: 21"



6" x 2" Special swivel caster design for tight turning radius



15BTC

15BTC Ergonomic Drum Truck

- Ergonomic swivel caster design reduces operator muscle strain and fatigue.
- With two wheels resting on floor, 20.5" to center of lowered chime hook.
- Replaceable hard faced double-beveled nose prongs, Part # 240060.
- **Steel drums only.**
- Handles 30, 55 & 85 gallon steel drums.

OVERALL DIMENSIONS

w: 24"
 h: 58"
 d: 21"



20BT



20BT & 20BTW- Deluxe Series

- Floating axle reduces effort required to break over and balance load.
- Chime hook can be stored at the top of the frame for easy use.
- Replaceable hard faced double-beveled nose prongs, Part # 240060.
- **Steel drums only.**
- Handles 30, 55 & 85 gallon steel drums.

OVERALL DIMENSIONS

w: 23.5"
 h: 60"
 d: 17"



Part #	240009	240010	240013	240014	240001	240002	240121	240003	240004
Model #	5BT	5BTW	10BT	10BTW	15BT	15BTW	15BTC	20BT	20BTW
Capacity	1,000 lbs	1,000 lbs	1,000 lbs	1,000 lbs	1,000 lbs	1,000 lbs	1,000 lbs	1,000 lbs	1,000 lbs
10" Wheel	Moldon Rubber	Polyolefin	Moldon Rubber	Polyolefin	Moldon Rubber	Polyolefin	Moldon Rubber	Moldon Rubber	Polyolefin
6" Wheel	N/A	N/A	N/A	N/A	Moldon Rubber	Polyolefin	Moldon Rubber	N/A	N/A
Weight	68 lbs	53 lbs	64 lbs	50 lbs	79 lbs	61 lbs	79 lbs	74 lbs	59 lbs

BT
 10" x 2.5"
 Cast Iron Center
 Moldon Rubber

BTW
 10" x 2.25"
 Polyolefin

150596 150691

DRUM HANDLING EQUIPMENT

A WESCO EXCLUSIVE
5 YEAR GUARANTEE
 ★ AGAINST WELD FAILURE ★

DRUM TRUCK FEATURES:

- Heavy duty, double-welded joints.
- 1" structural steel frame.
- Self standing or with kick stand for upright storage.



30BT



6" x 1 1/2" wheel

30BT & 30BTW - Standard Series

- Multi-functional drum truck allows you to move drums on four wheels and acts as a drum cradle for storage or dispensing.
- 16.5" drain height.
- With two wheels resting on floor, 28" to bottom of lowered chime hook.
- **Steel drums only.**
- Handles 30, 55 & 85 gallon steel drums.

OVERALL DIMENSIONS

w: 24"
 h: 56"
 d: 20.5"



40 BT



40BT & 40BTW Series

- Handles all poly and fiber drums except overpacks (use 45BT for overpacks).
- Replaceable feet - Part# 240115 and replaceable belt - Part# 150303.
- Floating axle reduces effort required to break over and balance load.
- With wheels resting on floor, 28" to bottom of belt.
- Handles 30, 55 & 85 gal. drums.
- **Steel, poly & fiber drums.**

OVERALL DIMENSIONS

w: 23.75"
 h: 59.75"
 d: 24"



45BT



45BT & 45BTW Series

- Recommended primarily for handling of overpacks.
- Wide "feet" eliminate the risk of drums being punctured by nose prongs.
- Replaceable feet - Part # 240115 and replaceable belt - Part # 150304.
- Floating axle reduces effort required to break over and balance load.
- With wheels resting on floor, 28" to center of belt.
- Handles 30, 55 & 85 gal. drums.
- **Steel, poly & fiber drums.**

OVERALL DIMENSIONS

w: 24"
 h: 59.75"
 d: 24"



50 BT

Rear wheels on 50BT – Aluminum Ctr. Moldon Rubber
 Rear wheels on 50BTW – Polyolefin



50BT & 50BTW Series

- Acts as a Poly Drum Truck or Drain Stand.
- Wide "feet" and belt eliminate the risk of drums being punctured by nose prongs and chime hooks.
- With two wheels resting on floor, 32" to center of belt.
- Handles all poly drums (except overpacks).
- Handles 30, 55 & 85 gal. drums.
- **Steel, poly & fiber drums.**

OVERALL DIMENSIONS

w: 24"
 h: 57.5"
 d: 25"

Part #	240005	240006	240081	240076	240082	240077	240083	240078
Model #	30BT	30BTW	40BT	40BTW	45BT	45BTW	50BT	50BTW
Capacity	1,000 lbs	1,000 lbs	1,000 lbs	1,000 lbs	1,000 lbs	1,000 lbs	1,000 lbs	1,000 lbs
10" Wheel	Moldon Rubber	Polyolefin	Moldon Rubber	Polyolefin	Moldon Rubber	Polyolefin	Moldon Rubber	Polyolefin
6" Wheel	Moldon Rubber	Polyolefin	N/A	N/A	N/A	N/A	Moldon Rubber	Polyolefin
Weight	82 lbs	66 lbs	82 lbs	67 lbs	82 lbs	67 lbs	86 lbs	65 lbs

BT BTW
 10" x 2.5" 10" x 2.25"
 Cast Iron Center Polyolefin
 Moldon Rubber

150596150691

WESCO ALUMINUM, KD DRUM TRUCKS

Manual Aluminum Drum Trucks

- Spring loaded chime hook automatically engages drum.
- Two wheel choices: 10" Moldon Rubber on Aluminum Hub or 12" Pneumatic Steel Hub.
- Disc wheel brake activated by hand lever:
B: with brake. NB: no brake.
- Steel, poly and fiber drums.
- 30 and 55 gallon drums.



OVERALL DIMENSIONS

w: 25.875"
h: 60"
d: 18.5"

- Two chime hooks available:
SCH: standard hook for closed head steel, fiber and poly drums (**SC**). (Not for use on drums with locking ring or 85 gallon size.)
LCH: special order hook for steel, fiber and poly drums with locking rings. Can be used on 85 gallon drums (**LC**).

LCH - Hook for Steel, Fiber, Poly Drums & 85 Gallon Drums

Part #	240124	240132	240120	240134	240133	240119	240135
Model #	ABT-10-SC-B	ABT-10-SC-NB	ABT-12-SC-B	ABT-12-SC-NB	ABT-10-LC-NB	ABT-12-LC-B	ABT-12-LC-NB
Capacity	1,000 lbs	1,000 lbs	1,000 lbs	700 lbs	1,000 lbs	1,000 lbs	700 lbs
Brake	Yes	No	Yes	No	No	Yes	No
Wheels	10" Moldon Rubber Rear 6" Moldon	10" Moldon Rubber Rear 6" Moldon	12" Pneumatic Rear 6" Moldon	12" Pneumatic Rear 6" Moldon	10" Moldon Rubber Rear 6" Moldon	12" Pneumatic Rear 6" Moldon	12" Pneumatic Rear 6" Moldon
Weight	60 lbs	60 lbs	60 lbs	60 lbs	60 lbs	60 lbs	60 lbs



US PATENT NO. 9,302,688



#240019 WITH (#240211), OPTIONAL 3RD WHEEL, 304 STAINLESS STEEL



#240017



#240017 WITH (#240210) OPTIONAL 3RD WHEEL



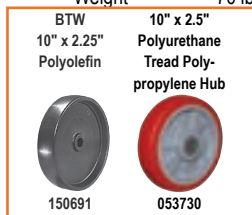
Knock Down (KD) Drum Trucks

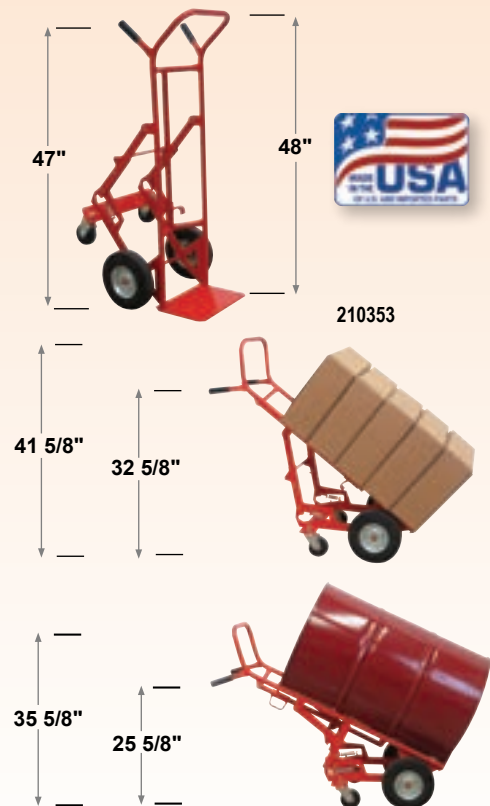
- UPSable - KD and boxed.
- Six models: (4) Steel and (2) **304 Stainless** Construction.
- Handles 30, 55 and 85 gallon drums.
- Models to handle steel and poly drums.
- Requires minimal assembly.
- All parts removable and interchangeable.
- Each of the six models include handle, frame, base, kickstand, axle, toe or feet, wheels, chime hook or belt and hardware.
- Foot operated break-over assist bar provides extra leverage to tilt and balance load and allows truck to rest in tilt-back position.
- Stainless** models okay for wash down.

Optional 3rd Wheel:

- Ergonomic design, better maneuverability.
- Better load support.
- Helps reduce breaker effort.
- 5" x 2" swivel caster.
- Two Models: #240210 for steel trucks, 13 lbs. #240211 for **304 stainless** trucks, 14 lbs.

Part #	240016	240017	240052	240053	240019	240020
Model #	KD-STL-STL-PU	KD-STL-POLY-PU	KD-STL-STL-PO	KD-STL-POLY-PO	KD-SS-STL-PO	KD-SS-POLY-PO
Capacity	1,000 lbs	1,000 lbs	1,000 lbs	1,000 lbs	1,000 lbs	1,000 lbs
Wheel	10" x 2.5" Polyurethane	10" x 2.5" Polyurethane	10" Polyolefin	10" Polyolefin	10" Polyolefin	10" Polyolefin
Drum Type Handled	Steel	Poly	Steel	Poly	Steel	Poly
Toe/Foot (replaceable)	Milled Toe #240060	Formed Foot #240115	Milled Toe #240060	Formed Foot #240115	Stainless Milled Toe #051904	Stainless Foot #050362
Construction	Steel	Steel	Steel	Steel	304 Stainless	304 Stainless
Chime Hook	#240214 - steel	N/A	#240214 - steel	N/A	#050197 - stainless	N/A
Belt	N/A	#240212 - steel ratchet assembly	N/A	#240212 - steel ratchet assembly	N/A	#240213 - stainless buckle
Weight	70 lbs	78 lbs	63 lbs	71 lbs	66 lbs	75 lbs





210353

4-Wheel Drum Cart

- Two position, 4-wheel transport design to handle drums and standard loads.
- **Position I:** Easily handles and maneuvers standard loads as a 4-wheel transport.
- **Position II:** With the chime hook engaged and a press of the foot pedal, the frame tilts a 30 or 55 gallon steel drum to a balanced position to maintain 4-wheel contact even with half empty bottom heavy drums.
- Two 3.5" x 1.5" polyolefin swivel casters for easy maneuverability in narrow spaces.
- Chime hook to engage 30 & 55 gallon steel drums.
- 7.8" D x 14" W beveled edge noseplate.
- Curved frame holds 5-gallon pails and kegs.

OVERALL DIMENSIONS

w: 19.25"	19.25"
h: 48"	48.5"
d: 26.25"	25"



156DH-Z



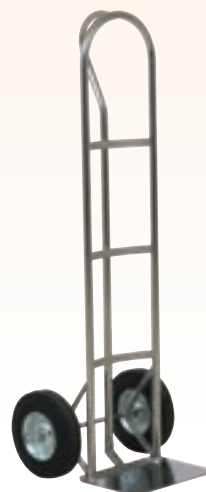
156DH-PP8-SS
304 STAINLESS STEEL

156DH Drum/Hand Truck

- Utility of a hand truck and drum truck.
- Chime hook works with 55 and 30-gallon steel drums.
- Curved frame holds 5-gallon pails and kegs.
- With noseplate resting flat on floor, 15.5" to center of lowered chime hook.
- Noseplate 7.8" D x 14" W.
- 304 stainless steel model #210352.
- Stainless model has 8" polyurethane, non-marking wheels with stainless precision ball bearings.

OVERALL DIMENSIONS

w: 20.5"	20.5"	20.5"	20.5"
h: 48"	48"	48"	48"
d: 18.5"	17.5"	18.5"	18.5"



304 STAINLESS STEEL

Series 626D-SS

- Stainless steel model 7.5" deep x 13.75" wide 7 gauge beveled nose plate with radiused corners for safety.
- Continuous frame loop.

OVERALL DIMENSIONS

w: 17.25"
h: 52"
d: 18"

Part #	210353	210354	210340	210349	210266	210352	210362
Model #	4WDC-ZC	4WDC-HBC	156DH-Z	156DH-HB	156DH-P	156DH-PP8-SS	626D-SS
Capacity	800 lbs	900 lbs	700 lbs	800 lbs	700 lbs	600 lbs	500 lbs
Wheels	10"/ Z	8"/ HB	Z	HB	P	8" Polyurethane	SR -10" Solid Rubber
Weight	66 lbs	66 lbs	39 lbs	42.5 lbs	39 lbs	33.5 lbs	24 lbs



Stainless Steel Drum Dollies

- **Wesco's Stability Advantage.** By design, Wesco casters are mounted past the dolly and drum rim. Our casters are mounted further apart than standard designs with casters completely underneath the drum and closer together. The further the casters are apart the greater the stability.
- Welded 304 stainless steel dolly construction with reinforced outriggers.
- 304 stainless steel dollies are ideal for clean room, pharmaceutical, food and wash down applications.
- Models available for 30, 55, and 85 gallon drums.

SS5-PPSS
All stainless rigs with
3" polypropylene
wheels



- Three caster set options:
 HRZ: zinc plated swivel rig with 3" hard rubber wheel & zinc plated hardware
 *HRSS: 304 stainless steel swivel rig with 3" hard rubber wheel & stainless hardware
 *PPSS: 304 stainless steel swivel rig with 3" white polypropylene wheel & stainless hardware.
 *Suitable for wash down applications.



ASSEMBLED OVERALL DIMENSIONS SS3			ASSEMBLED OVERALL DIMENSIONS SS5			ASSEMBLED OVERALL DIMENSIONS SS8		
w:	24"		w:	28.5"		w:	31.5"	
h:	6"		h:	6"		h:	6"	
d:	24"		d:	28.5"		d:	31.5"	

Part #	240192	240193	240194	240195	240196	240197	240198	240199	240200
Model #	SS3-HRZ	SS3-HRSS	SS3-PPSS	SS5-HRZ	SS5-HRSS	SS5-PPSS	SS8-HRZ	SS8-HRSS	SS8-PPSS
Capacity	900 lbs	900 lbs	1,000 lbs	900 lbs	900 lbs	1,000 lbs	900 lbs	900 lbs	1,000 lbs
I.D.	19"	19"	19"	24"	24"	24"	27"	27"	27"
Drum Size	30 gal	30 gal	30 gal	55 gal	55 gal	55 gal	85 gal	85 gal	85 gal
Caster Rig	Zinc plate 4 swivel	Stainless 4 swivel	Stainless 4 swivel	Zinc plate 4 swivel	Stainless 4 swivel	Stainless 4 swivel	Zinc plate 4 swivel	Stainless 4 swivel	Stainless 4 swivel
3" Caster Wheel	Hard Rubber	Hard Rubber	White Polypropylene	Hard Rubber	Hard Rubber	White Polypropylene	Hard Rubber	Hard Rubber	White Polypropylene
Dolly Material	304 Stainless	304 Stainless	304 Stainless	304 Stainless	304 Stainless	304 Stainless	304 Stainless	304 Stainless	304 Stainless
Weight	20 lbs	20 lbs	18 lbs	22 lbs	22 lbs	21 lbs	24 lbs	24 lbs	23 lbs

Steel Drum Dollies

- **Wesco's Stability Advantage.** By design, Wesco casters are mounted past the dolly and drum rim. Our casters are centered under the dolly rim and further apart than standard designs which are inside the rim and closer together. The further the casters are apart, the greater the stability.
- All welded steel frame construction with reinforced outriggers.
- Four bolt on 3" swivel casters.
- I.D. varies among models.
- Models available for 30, 55, and 85 gallon drums.



4 swivel casters.

D5-SI



ASSEMBLED OVERALL DIMENSIONS - D3		ASSEMBLED OVERALL DIMENSIONS - D5		ASSEMBLED OVERALL DIMENSIONS - D8	
w:	24"	w:	28.5"	w:	31.5"
h:	6"	h:	6"	h:	6"
d:	24"	d:	28.5"	d:	31.5"

Part #	240028	240029	240030	240031	240088	240089
Model #	D3-SI	D3-HR	D5-SI	D5-HR	D8-SI	D8-HR
Capacity	1,000 lbs	900 lbs	1,000 lbs	900 lbs	1,000 lbs	900 lbs
I.D.	19"	19"	24"	24"	27"	27"
Drum Size	30 gal	30 gal	55 gal	55 gal	85 gal	85 gal
Caster Rig	Zinc plate 4 swivel	Zinc plate 4 swivel	Zinc plate 4 swivel	Zinc plate 4 swivel	Zinc plate 4 swivel	Zinc plate 4 swivel
3" Caster Wheel	Sintered Iron	Hard Rubber	Sintered Iron	Hard Rubber	Sintered Iron	Hard Rubber
Dolly Material	Steel	Steel	Steel	Steel	Steel	Steel
Weight	18 lbs	18 lbs	24.5 lbs	22 lbs	26 lbs	26 lbs



Polypropylene Dolly

- 5 swivel casters, 3" polyolefin wheels.
- Handles 30 or 55 gallon drums.
- Rigid latticed understructure for strength.

OVERALL DIMENSIONS	
w:	24.25"
h:	7.125"
d:	24.25"



2 rigid and 2 swivel casters.
RSD



RASD



*Model SSD with drain plug and handle.
SSD

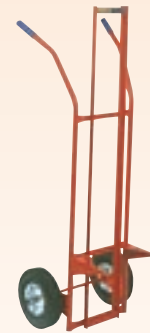


RAOD

Specialty Dollies

- 3" hard rubber caster.
- Steel or aluminum designs.

OVERALL DIMENSIONS					
w:	24.5"	25.75"	24.5"	24.5"	24.5"
h:	6"	6"	6"	6"	6"
d:	24.5"	24.5"	24.5"	24.5"	24.5"



PT



PTR



PT Pail Truck

- Handles up to four standard steel or plastic 5-gallon pails.
- Ergonomic design eliminates the need to stack pails on a noseplate.
- 10" Semi-Pneumatic - #150589.

OVERALL DIMENSIONS	
w:	26"
h:	55"
d:	21"

Pail Tipper

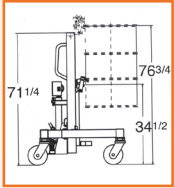
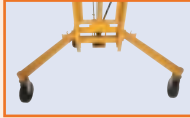
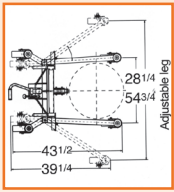
- Adjustable chime hook.
- Ships KD easy assembly.
- Boxed dimensions 16.5"W x 22"D x 3"H.
- For dispensing 5 gal. steel or plastic pails.

OVERALL DIMENSIONS	
w:	14.5"
h:	30"
d:	14.5"

Part #	240201	240033	240040	240043	240044
Model #	P55-30-P	RSD	SSD*	RASD	RAOD
Capacity	900 lbs	900 lbs	900 lbs	900 lbs	900 lbs
I.D.	23.25"	24"	23.625" sq.	24"	24"
Drum Size	30 or 55 gal	55 gal	30 or 55 gal	30 or 55 gal	30 or 55 gal
Caster Rig	Zinc Plate 5 Swivel	Zinc plate 2 Rgd./2 Sw.	Zinc plate 4 swivel	Zinc plate 4 swivel	Zinc plate 4 swivel
3" Caster Wheel	Polyolefin	Hard Rubber	Hard Rubber	Hard Rubber	Hard Rubber
Dolly Material	Polypropylene	Steel	Steel	Aluminum	Aluminum
Weight	17 lbs	22 lbs	47 lbs	20 lbs	14 lbs

Part #	240042	273108
Model #	PT	PTR
Capacity	500 lbs	70 lbs
Brake	N/A	N/A
Wheels	Semi-Pneumatic	N/A
Weight	40 lbs	10 lbs





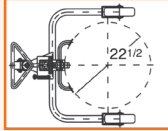
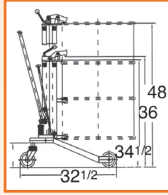
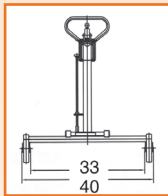
HLDT-880

High-Lift Hydraulic Drum Truck

- Handles 55, and 85 gallon drums.
- Easy width adjustment to accommodate a variety of pallets.
- Four 7 1/2" moldon polyurethane swivel casters.
- Locking rear casters.
- Works with most rimmed steel and poly drums.
- Not for use with open head drums or drums with lid rings.

OVERALL DIMENSIONS

w: 54.75"
h: 71.25"
d: 43.5"



HDT-550

Economy Hydraulic Drum Truck

- Handles steel drums up to 22 1/2" in diameter.
- 2 rigid and 1 swivel locking caster for easy maneuverability.
- Pallet truck-type pump handle.
- Works with most rimmed steel drums.

OVERALL DIMENSIONS

w: 40"
h: 46"
d: 32.5"

Pallet Truck Drum Lifter

- Hydraulic pallet truck design to lift and move 55 gallon steel drums.
- Lowered height: 10"
- Raised height: 14.5"
- 8" x 2" nylon steering wheels.
- 1" x 3" nylon load wheels.

OVERALL DIMENSIONS

w: 28.5"
h: 47.5"
d: 42"



VDCD



PTDL



Value Drum Carrier and Dispenser

- Economically priced.
- Three height adjustments: 9.25", 10.625" and 12".
- Vertical and horizontal locking positions.
- Polyurethane wheels and casters.
- 8" x 2" wheels and 4" x 1.25" caster.
- Ships KD.

OVERALL DIMENSIONS

w: 35"
h: 65.5"
d: 37"



500



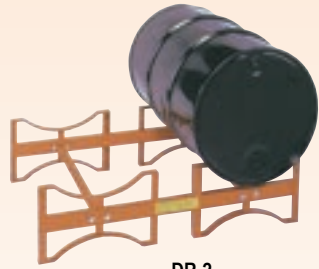
Spill-Less Open Drum Truck

- Transport drums in a vertical position.
- Handles 55 gallon drums.
- 8" x 2" moldon rubber wheels with roller bearings.
- 5" x 2" polyolefin swivel casters.
- All welded construction.

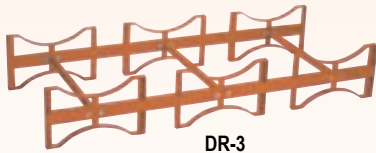
OVERALL DIMENSIONS

w: 32"
h: 32.25"
d: 25.25"

Part #	272967	272945	273250	272404	240015
Model #	HLDT-880	HDT-550	PTDL	VDCD	500
Capacity	880 lbs	550 lbs	660 lbs	Full Drum - 800 lbs Half Drum - 500 lbs	1,000 lbs
Wheels	(4) 7.5" Polyurethane Swivel	(2) 8" Polyurethane Wheels (1) 5" Polyurethane Caster	(2) 8" x 2" Nylon Steering Wheels (2) 1" x 3" Nylon Load Wheels	(2) 8" x 2" Polyurethane Wheels (1) 4" x 1.25" Polyurethane Caster	(2) 8" x 2" Moldon Rubber w/ Roller Bearings (1) 5" x 2" Polyolefin Swivel Caster
Lift Height	76.75" to top of drum 42.5" to bottom of 34.5" steel drum	48" to top of drum 13.5" to bottom of 34.5" steel drum	N/A	N/A	N/A
Lift	0.45" per stroke	0.87" per stroke	N/A	N/A	N/A
Leg Span Adjustment	28.25" - 54.75"	N/A	N/A	N/A	N/A
Lift Range	42.5"	13.5"	N/A	N/A	N/A
Weight	220 lbs	99 lbs	115 lbs	105 lbs	70 lbs



DR-2



DR-3

Drum Racks

- Two and three 55 gal. steel drum models.
- Four-side fork truck entry.
- Can be stacked 4 high.
- Standard models ship knocked down and boxed via UPS.
- Quick and easy to assemble.
- Welded and bolted construction.

OVERALL DIMENSIONS

w: 45.5"	71.5"
h: 12.5"	12.5"
d: 30"	30"

Superior Quality
North American
Hardwood
Handles



CW-20



Deluxe Drum Cradle

- Tips, drains, stores, rotates and moves 30 or 55 gallon steel drums.
- Dual telescoping wood handles allow easy two handed control.
- Large 4" x 1.25" polyolefin wheels for easy movement over uneven floors.
- Shipped knocked down and boxed via UPS.
- **Backed by 2 year warranty against weld failure.**
- Drip tray option available.

OVERALL DIMENSIONS

w: 19"
d: 43" - 67.375"
h: 25.5"
20" drain height



CW-10
(Polyolefin wheels inside frame)



CWO-10
(Polyolefin wheels outside frame)



CWS-10
(Two Polyolefin swivel casters)

Standard Steel Drum Cradles

- Economical and convenient way to tip, drain and store 55 gallon steel drums.
- Easy for one person to use.
- All models ship knocked down and boxed via UPS.
- Models available with 2.5" polyolefin wheels, self-storing load tipping lever, and swivel casters.
- Drip tray option available for all models

OVERALL DIMENSIONS

w: 19.5"
d: 32.5"
h: 15" on wheeled models 13.5" on non-wheeled models

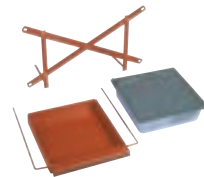
Part #	240026	240027	240025	240022	240023	240024
Model #	DR-2	DR-3	CW-20	CW-10	CWO-10	CWS-10
Capacity	1,600 lbs (2 drums)	2,400 lbs (3 drums)	1,000 lbs	600 lbs	600 lbs	600 lbs
Wheels	N/A	N/A	(4) 4" x 1.25" Polyolefin Wheels	(4) 2.5" Polyolefin Wheels	(4) 2.5" Polyolefin Wheels	2.5" Polyolefin: (2) Wheels (2) Casters
Weight	49 lbs	64.5 lbs	50 lbs	30 lbs	32 lbs	34 lbs

Drip Tray

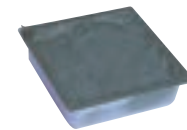
- Steel slide-out tray 9.75" x 9.75" with 1.75" lip.
- Fits all Wesco drum cradles.
- Polyethylene pan.
- Cellulose absorbent holds 3 quarts of liquid.



CW-10 With
Optional Drip Tray



DT - Drip Tray Kit
with Plastic Absorbent Pan



270414 - Replacement Plastic
Absorbent Pan (Disposable)

Part #	270413	270414
Model #	DT	DP
Weight	7.5 lbs	1 lb



EDL-5



Economy Drum Lifter

- Lightweight and easy to use.
- Lock pin design holds drum firmly in place.
- Ships boxed via UPS.
- For use with closed head 55 gallon steel drums.

OVERALL DIMENSIONS

w: 23.5"
h: 12.5"
d: 25.5"



Open head steel



Closed head steel



Open head poly

Open Head Drum Lifters

- For use with standard steel or poly drums with at least a 3/16" chime.
- Lifting arms are adjustable to work with most 55 or 30 gallon drums.
- Three-point contact of the lifting arms prevents or minimizes deformation of the drum and provides more secure lifting.
- Also works on closed head drums.

OVERALL DIMENSIONS

w: 29.5"
h: 5.5"
d: 29.5"



NOW AVAILABLE IN 304 STAINLESS STEEL



UDL



Universal Drum Lifter

- Two models -
UDL: carbon steel
UDL-SS: 304 stainless steel.
- Design allows for theloading of drums into overpacks.
- Works on open and closed head drums.
- For use with standard steel or poly drums with at least a 3/16" chime.
- Lifting arms are adjustable to work with most 55 or 30 gallon drums.
- Three-point contact of the lifting arms prevents or minimizes deformation of the drum and provides more secure lifting.

OVERALL DIMENSIONS

w: 29.5" 29.5"
h: 5.5" 5.5"
d: 29.5 29.5

Stainless



SDL-85



SDL-55

Salvage Drum Lifters

- Convenient for fast and gentle loading of steel drums into overpacks.
- Ships boxed via UPS.
- For use with closed head steel drums.

OVERALL DIMENSIONS

w: 9.875" 9.875"
h: 7.375" 7.375"
d: 19.63" 19.63"



DRL-3

Hoist Mount Drum Lifter

- Heavy duty annealed ductile iron.
- Curved foot on stabilizing arm prevents damage to drum.

OVERALL DIMENSIONS

w: 24.5"
h: 17.5"
d: 2.25"



DLS Drum Sling 440009 (steel)

Drum Sling

- Horizontally lift all "closed or open-head" drums.
- D-shaped lifting ring fits most overhead systems.
- Inverted ring fits web-lifting slings.

OVERALL DIMENSIONS

w: 2.25"
h: 18.75"
d: 2"

Part #	240057	240038	240062	240063	240100	240102	440001	440009
Model #	EDL-5	OHDL-3	UDL	UDL-SS	SDL-55	SDL-85	DRL-3	DLS-1000
Capacity	700 lbs	1,000 lbs	1,000 lbs	1,000 lbs	1,000 lbs	1,000 lbs	3,000 lbs	1,000 lbs (Steel)
Weight	17 lbs	18 lbs	20 lbs	21 lbs	20 lbs	18 lbs	37 lbs	5 lbs

WESCO® ERGONOMIC DRUM HANDLERS

FIVE MODELS ALL WITH
U.S. PATENTED
GATOR GRIP®
U.S. PATENT NO. 6,619,905



Standard Model



Power Lift



High Reach Model



Scale Model - Accuracy $\pm 0.50\%$ of applied load or 1 lb., whichever is greater.



Power Lift & Drive



304 Stainless Steel Drum Handler



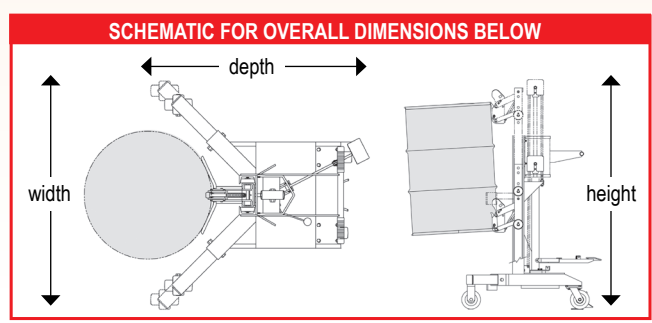
STEEL



FIBER



POLY



Wesco® Ergonomic Drum Handlers

- 1 Year Warranty, parts only.
- WESCO MADE hydraulic pump - all models.
- Handles most 30, 55 or 85 gallon drums - Steel, Fiber and Poly.
- Works with most drums with locking rings.
- Up/Down remote on power units.
- Power drive travel speed 120'/min.
- Lifts, transports, weighs and places drums on spill or standard pallets.
- (6) models: (5) steel and (1) 304 Stainless Steel.
- The (5) steel models are standard with the Gator Grip® Drum Clamp:
 - Spring-loaded jaws hold any 3/16" or higher drum rim.
 - Operator does not need to touch drums to operate.
 - Exclusive auto grip lock will not drop a drum if operated properly.
 - (2) wheels and (2) swivel casters, 5" x 2" phenolic, and floor lock.
- The 304 Stainless Steel SSDH model features:
 - Wesco manufactured 304 Stainless Steel construction hydraulic jack.
 - 304 Stainless Steel automatic Grab that grips drum rim and can be manually locked down for lift and travel.
 - (2) 5" x 2" black phenolic wheels with 304 Stainless Steel roller bearings.
 - (2) 304 Stainless Steel NSF certified washdown swivel casters with 5" x 2" black phenolic wheels, 304 Stainless Steel bearings.
 - Works with most drums with locking rings.
 - Lift range: 26" - 73" at lifting clamp.
 - Single position outriggers - non-telescoping.
 - 304 Stainless Steel construction includes hydraulic pump, floor lock, clamp, casters and bearings.
 - Handles most 30, 55 and 85 gallon steel, poly and fiber drums.

OVERALL DIMENSIONS

w: 41"	41"	42"	41"	41"	46"
h: 54"	73"	54"	73"	73"	73"
d: 39"	39"	43"	53"	53"	42"

Part #	240150	240154	240155	240156	240157	240240
Model #	DM-1100	DM-1100-HR	DM-1100-S	DM-1100-PL	DM-1100-PLD	SSDH
Description	Standard	High Reach	Scale	Power Lift	Power Lift & Drive	304 Stainless High Reach
Rise/Stroke	1"	1"	1"	8.5" / sec. without load	8.5" / sec. without load	1"
Legs Retracted Capacity	650 lbs	650 lbs	650 lbs	650 lbs	650 lbs	N/A
Legs Extended Capacity	1100 lbs	1100 lbs	1100 lbs	1100 lbs	1100 lbs	800 lbs
Drum Clamp Type	Gator Grip®	Gator Grip®	Gator Grip®	Gator Grip®	Gator Grip®	Auto Grab Manual Knob Lock Down
Weight	355.5 lbs	376 lbs	356 lbs	531 lbs	691 lbs	207 lbs



SINCE 1948



DM-800-MDT-Standard
Part# 240189



**Manual Drum Tilter w/
Removable Tilt Handle**



**Gear Drum Tilter w/
Crank Handle**



DM-800-MDT-High Reach
Part# 240228



DM-800-MDT-High Reach
Part# 240128



DM-800-MDT-Power Models
Part# 240129 (Power Lift)
Part# 240130 (Power Lift & Drive shown)



DM-800-MDT-Power Models
Part# 240229 (Power Lift)
Part# 240230 (Power Lift & Drive shown)

Manual Drum Tilter w/Handle

- Combines the heavy duty quality and reliability of the DM-1100 Ergonomic Drum Lifter and adds a new option to allow the drum handler to easily lift 55 gallon steel drums and dispense the contents.
- Locks in either a horizontal or vertical position for convenient dispensing or transport.
- 41" wheel clearance (spans standard skids)
- 17"-39" Lifting Range (center of drum)
- 1' lift per stroke (foot hydraulic models)
- Removable tilt handle
- Floor Lock standard on manual models only

OVERALL DIMENSIONS

w:	48"	48"	53"	53"
h:	61"	61"	73"	73"
d:	46.5"	46.5"	53"	53"

Gear Drum Tilter w/Crank

- This new option allows the Wesco DM-1100 to easily lift 55 gallon steel drums and dispense the contents using a crank handle.
- Crank handle lifts drums to dispensing height with 360° control.
- Handles fully-loaded drums up to 800 lbs.; half-full drums up to 500 lbs.
- 41" wheel clearance (spans standard skids)
- 17"-39" Lifting Range (center of drum)
- 1' lift per stroke (foot hydraulic models)
- 30:1 gear ratio
- 8 cranks per 90° rotation
- Floor Lock standard on manual models only

OVERALL DIMENSIONS

w:	48"	48"	48"	48"
h:	62"	77.75"	77.75"	77.75"
d:	52"	52"	52"	67"

Part #	240189	240128	240129	240130	240227	240228	240229	240230
Model #	DM-800-MDT	DM-800-MDT-HR	DM-800-MDT-PL	DM-800-MDT-PLD	DM-800-GDT	DM-800-GDT-HR	DM-800-GDT-PL	DM-800-GDT-PLD
Capacity Full Drum	800 lbs	800 lbs	800 lbs	800 lbs	800 lbs	800 lbs	800 lbs	800 lbs
Capacity Half Drum	500 lbs	500 lbs	500 lbs	500 lbs	500 lbs	500 lbs	500 lbs	500 lbs
Rise/Stroke	1"	1"	8.5" / sec. without load	8.5" / sec. without load	1"	1"	8.5" / sec. without load	8.5" / sec. without load
Weight	415 lbs	436 lbs	590 lbs	750 lbs	465 lbs	486 lbs	640 lbs	800 lbs



Option

- DMG-30A for use with 30 gallon drums, and FBA for use with fiber drums. For use with DL and DGL-55 models only.
- DGL-30-A Part #270040
- FBA Part #270402



Value Lifter
VDL-55

Value Drum Lifter/Dispenser

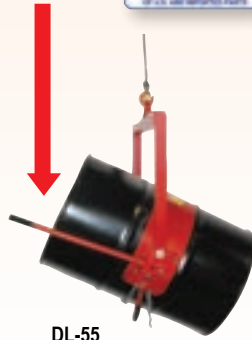
- Easily lift drum and dispense contents.
- Economical, lower capacity VALUE product.
- Ships assembled and boxed.
- Locks in horizontal or vertical position.
- Handles 55 gallon steel drums.

OVERALL DIMENSIONS

w: 8.5"
h: 36"
d: 29"



Tipping handle available only on DL-55



DL-55

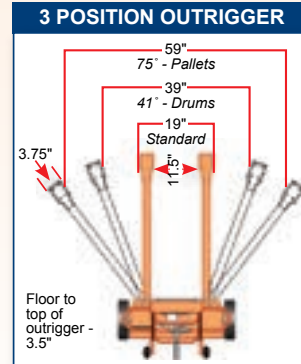


Standard Drum Lifter/Dispenser

- Higher capacity quality product.
- Ships assembled and boxed.
- Easily lift drum and dispense contents.
- Locks in horizontal or vertical position.
- Handles 55 gallon steel drums.
- Over 25 years of proven reliable quality.

OVERALL DIMENSIONS

w: 8.5"
h: 36"
d: 29"



Triple Truck/Drum Attachment

PATENT NO.
US9,139,214B2

- Purchase as two parts.
- FOR COMPLETE DETAILS, SEE PAGE 62.**
- Adjustable outriggers from 11.5" I.D. to 59" I.D.

Part #	278750
Model #	VDL-55
Capacity Full Drum	700 lbs
Capacity Half Drum	440 lbs
Weight	54 lbs

Part #	240032
Model #	DL-55
Capacity Full Drum	800 lbs
Capacity Half Drum	500 lbs
Weight	45 lbs

Part #	261160 & 261161
Model #	TTF+TTF-GG
Capacity	750 lbs. Per Grip

#261160 / 357 lbs #261161 / 32 lbs



Gator Grip®

US PATENT NO. 6,619,905

Traditional devices require drum weight to maintain a positive lock. If a drum bounces during fork truck transportation, the drum may momentarily become weightless, which can cause the grip to snap open dropping the drum. The patented Auto Grip Lock automatically locks the jaws closed, even over rough terrain.

STEEL



FIBER



POLY



The Wesco Gator Grip Fork Truck Mounted Drum Grab is designed for lifting and transporting 16, 30, 55 and 85 gallon steel, fiber and poly drums.



EGG-1



Fork Truck Carriage Mount - GG-C



Single Drum Fork Mount - GG-F1



Power Stack Mount - GGPS

- Single grip / drum attachment.
- Mounts only to Wesco fork stacker carriage.



EGG-2

- Fork truck fork attachment.
- Picks up drums automatically; driver never leaves seat while lifting or releasing drums.
- Handles steel, fiber and poly drums.
- Single and dual grips available.
- Gator Grips® made by Wesco.
- Economically priced.
- Patented Gator Grip®.



Dual Drum Fork Mount - GG-F2

- Heavy-duty carriage design.
- Single and dual grips available.
- Fork truck attachment.
- Patented Gator Grip®.



Gator Belt Option - GGBK

- Optional Gator Belt protects drum from wear. **NOT AVAILABLE ON EGG MODELS.**

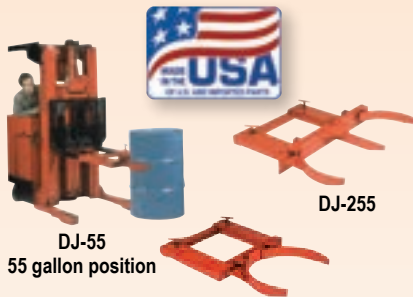
OVERALL DIMENSIONS

w: 28"	33.25"	15.625"	32"	32"	18"	30"
h: 34"	34"	33.25"	37"	37"	33.25"	3"
d: 34"	34"	18"	28"	28"	17"	25"

Part #	240091	240092	240093	240096	240097	240103	240107
Model #	EGG-1	EGG-2	GG-C	GG-F1	GG-F2	GGPS	GGBK
Capacity Per Grip	1,000 lbs	1,000 lbs	1,600 lbs	1,600 lbs	1,600 lbs	1,600 lbs	N/A
Fork Pocket ID	5.5" x 2"	7" x 2.25"	N/A	7" x 2.25"	7" x 2.25"	N/A	N/A
Weight	125.5 lbs	208 lbs	96 lbs	244 lbs	340 lbs	92 lbs	4 lbs

Note: OSHA requires contacting the manufacturer of your fork truck for written approval for the use of any fork truck attachments.

WESCO® DRUM GRABS/FORK TRUCK DRUM LIFTERS & TILTERS

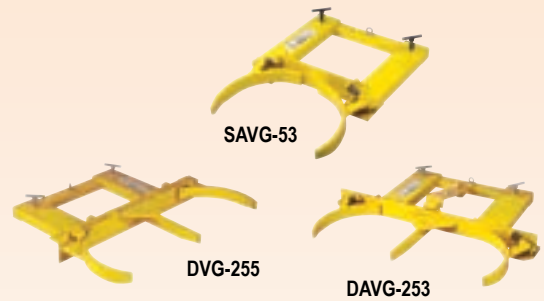


DJ-55
55 gallon position

DJ-255



ADJ-53
30 gallon position



SAVG-53

DVG-255

DAVG-253

Drum Grabs for 55 Gallon Steel Drums

- All welded steel construction for durability.
- Cost effective way to move 55 gallon steel drums.

OVERALL DIMENSIONS

w:	28"	28"	46"
h:	4.75"	4.75"	7.25"
d:	42.75"	42.75"	43.25"

Adjustable Drum Grabs for 55 or 30 Gallon Steel Drums

- ADJ models feature all welded steel construction for durability.
- Handles 55 or 30 gallon steel drums.

OVERALL DIMENSIONS

w:	28"	28"
h:	5.5"	5.5"
d:	41.75"	41.75"

Value Drum Grabs

- Economically priced lower capacity grabs.
- VG models: jaws not adjustable. Handles 55 gal. steel drums.
- AVG models: adjustable jaws. Handles 30 or 55 gal. steel drums.

OVERALL DIMENSIONS

w:	46"	28"	51"
h:	7.25"	5.5"	7.25"
d:	43.25"	41.75"	42.75"

Part #	240048	270051	240049	240047	270084	272401	272408	272409
Model #	DJ-55	DJL-55	DJ-255	ADJ-53	ADJL-53	DVG-255	SAVG-53	DAVG-253
Capacity	1,500 lbs/drum	1,500 lbs/drum	1,500 lbs/drum	1,500 lbs/drum	1,500 lbs/drum	1,000 lbs/drum	1,000 lbs/drum	1,000 lbs/drum
Handles	one 55-gallon	one 55-gallon	two 55-gallon	one 55 or one 30 gallon	one 55 or one 30 gallon	two 55-gallon	one 55 or one 30 gallon	two 55 or two 30 gallon
ID Fork Pocket	5.5" x 2"	7" x 2.25"	7" x 2.25"	5.5" x 2"	7" x 2.25"	7" x 2.25"	5.5" x 2"	7" x 2.25"
Weight	145 lbs	150 lbs	205 lbs	135 lbs	140 lbs	233 lbs	128 lbs	194 lbs

POWER DRUM ROTATOR



See page 65.



270402



Model PJ for most 30 and 55 gallon drums

240148

Wesco Polyjaws

- Fork truck adjustable attachment for handling most 55 and 30 gallon poly drums.
- Fork truck driver does not have to leave cab to engage or disengage drum.
- Works on poly drums that have at least a 3/16" top lip (chime).
- Substantially lower priced than any other poly drum lifter on the market.
- Ships knocked down/ boxed via UPS.
- Fork pocket dimensions (ID) 5.375"W x 1.5"H.

OVERALL DIMENSIONS

w:	25.5" - 29.375"
h:	6.28"
d:	21.38"



VFDLT-1400

Value Fork Truck Drum Lifter & Tilter

- Economically priced lower capacity model.
- Two models, 700 & 1,400 lb capacities.
- Operator does not have to leave seat to tilt drum.
- Fork pocket dimensions (ID) 7" W x 2.5"H.
- Fork pocket dimensions center to center 31.5".
- Length of Chain 120".

OVERALL DIMENSIONS

w:	39"	39"
h:	19"	19"
d:	26.75"	31.5"

Fork Truck Drum Lifter & Tilter DGF-55

- Fork truck driver does not have to leave truck to dispense.
- Geared design allows controlled dumping and dispensing.
- Does not require any modifications to the fork truck.
- Ships assembled and boxed.
- Has 800 lbs capacity for a full drum, 500 lbs for a half full drum.
- Not for use with poly drums.
- Fork pocket dimensions (ID) 6.625"W x 2.625"H.
- Fork pocket dimensions center to center 31".
- Length of Chain 144".

OVERALL DIMENSIONS

w:	38"
h:	20.5"
d:	32.5"

Part #	240039	270240	270402	240148	272402	272403
Model #	DGF-55	DGF-30A	FBA	PJ	VFDLT-700	VFDLT-1400
	55 GAL. DRUM UNIT	30 GAL. DRUM ADAPTER	FIBER DRUM ADAPTER			
Capacity	Half Drum - 500 lbs Full Drum - 800 lbs	Half Drum - 500 lbs Full Drum - 800 lbs	Half Drum - 500 lbs Full Drum - 800 lbs	1,000 lbs	Half Drum - 440 lbs Full Drum - 700 lbs	Half Drum - 750 lbs Full Drum - 1,400 lbs
Weight	159 lbs	24 lbs	3 lbs	44 lbs	166 lbs	214 lbs

Note: OSHA requires contacting the manufacturer of your fork truck for written approval for the use of any fork truck attachments.

Zinc Die Cast Faucets

- Zinc die cast alloy.
- Easy-to-use self-closing design.
- Can be padlocked in closed position.
- .75" NPT connection.
- Viton gasket.



Part# 272083 - .53 lbs.
With flame arrestor.
FM APPROVED for non-viscous liquids.



Part# 272080 - .53 lbs.
No flame arrestor.
FM APPROVED for viscous liquids only.

Heavy Duty 2" Brass Gate Valve

- Fast, self-closing PTFE blade.
- 2" NPSM connection designed to work in both a straight or tapered thread.
- 6.80 lbs.



Part# 272034
FM APPROVED for use with viscous non-corrosive fluids heavier than 30 SAE.

Heavy Duty 304 Stainless Steel Faucet

- Adjustable shank designed to easily adjust to proper drain position after installing in drum.
- .75" NPT connection.
- PTFE gasket.
- 1.50 lbs.



Part# 272038
Internal flame arrestor.
FM APPROVED for use with oils (under 30 SAE) and non flammables, compatible with stainless steel.

Heavy Duty Brass Faucets

- Easy-to-use self-closing design.
- .75" NPT connection.
- PTFE gasket.



Part# 272037 - 1.40 lbs.
Adjustable shank designed to easily adjust to proper drain position after installing in drum.
Internal flame arrestor.
FM APPROVED for use with oils (under 30 SAE) and non-corrosive flammables.



Part# 272081 - 1.43 lbs.
Rigid shank design.
External flame arrestor.
FM APPROVED for use with oils (under 30 SAE) and non-corrosive flammables.

Plastic Faucets

- 2" NPT polyethylene drum faucet produced from **FDA approved material**. Includes 3 EPDM sealing gaskets: thin, medium, thick. Good for viscous non-corrosive fluids.
- .83 lbs.

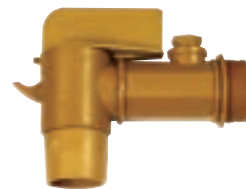


Part# 272176 - 2"

- Deluxe 2" NPT polyethylene drum faucet. Produced from **FDA approved material**. Deluxe features:
 - Level gauge port
 - Pail hook
 - Lockable handle
 - 3 EPDM gaskets: thin, medium, thick.
- 1 lb.



Part# 272179 with level gauge



Part# 272179 - 2"

- .75" Polyethylene Faucet for use with non-flammable, non-corrosive thin liquids not suitable for heavy oils.
- .10 lbs.



Part# 272177 - .75"

Wesco recommends that if a question arises, the user contact the supplier of chemicals to determine if these faucets are compatible with those chemicals. Wesco is unable to offer specific recommendations for chemical usage.

Drum Vent

- Automatically relieves pressure at 5 PSI.
- Maximum flow of 220 CFM at 20 PSI.
- Flame arrester prevents sparks and flame from igniting drum contents.
- Fits 2" bung hole in steel and plastic drums.
- 1 lb.



Part# 272030
 For drums in horizontal (pouring) position. Manual vacuum relief by lifting and rotating valve stem. **FM APPROVED.**

Gauges

- Economical way to gauge drum contents.
- Heavy gauge glass and plated steel construction.
- Accepts standard .75" NPT faucet.
- Buna-N seals; .75" NPT connection, 22" height (with supplied fitting).



Part# 272005 - 2.16 lbs.
 Basic gauge with fitting.



Part# 272006 - 4 lbs.
 Basic gauge with fitting and 272080 faucet.

Part# 272041 - 5 lbs.
 Basic gauge with fitting and 272083 faucet.

Part# 272115 -
 Replacement glass for gauge.

Drum Funnel with Lockable Cover

- Red polyethylene 4-quart funnel with 2" NPS fitting to screw into bung opening.
- 9.625" opening.
- Equipped with black polyethylene lockable cover and removable strainer screen.
- 1.1 lbs.



Part #272140 Model #DF



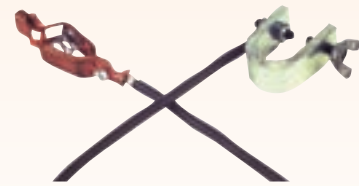
Vertical Polyethylene Pop-up Gauge

- Pops up to indicate drum is almost full.
- Fits standard 3/4" - 14 NPS bung holes.
- Part #272216, Model # PUG-5 - 5" long.
- Part #272217, Model # PUG-11 - 11" long.
- Closure cap.

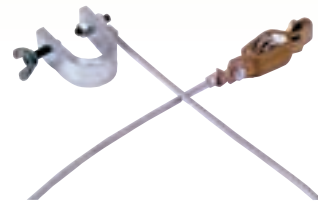


Ground and Bond Wires

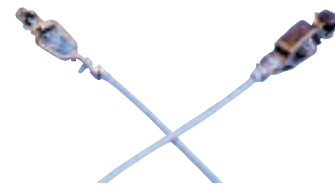
- A wide variety of designs for grounding and bonding applications.



Part# 272032 - .64 lbs
 Deluxe Ground Wire: For connection between drum and true ground. Three-foot-long heavy duty insulated wire rope with "C" clamp on one end and alligator clip on the other.



Part# 272031 - .53 lbs
 All Purpose Bond Wire: For bonding drums to each other, to containers being filled, and to racks. Three-foot-long heavy duty wire rope with "C" clamp on one end and alligator clip on the other.



Part# 272033 - .37 lbs
 Standard Bond Wire: For bonding drums to each other, to containers being filled, and to racks. Three-foot-long heavy duty wire rope with alligator clips on both ends.

OSHA requires that all drums and containers storing and receiving fluids with a FLASH POINT BELOW 140°F be grounded and bonded. Single drums must be grounded, with containers being dispensed into bonded to the drum. Multiple drums must be bonded to each other with one drum or the rack grounded. Wesco Ground and Bond wires allow meeting these important safety requirements.

Deheaders

- Open any size and gauge steel drum quickly and easily, allowing drum recycling without the risk of fire from cutting with a torch.
- Sharp-edged hardened steel replaceable blade.
- Comfortable plastic hand grip.



Part# 272303
Vertical slide deheader. (6.2 lbs.)
Part# 272304 Replacement blade. (1 lb.)



Part# 272018
Most popular deheader. (7 lbs.)

Part# 272012
Replacement blade. (.73 lbs.)



Part# 440013 Model DDH-1.
Heavy duty deheader. (9 lbs.)

Part# 440014 Model DDH-P202
Replacement blade. (.60 lbs.)

Non-Sparking Deheader

- 100% non-sparking deheader.
- Sharp-edged hardened non ferrous alloy replaceable blade.
- Comfortable plastic hand grip.



Part# 272301
Non-sparking deheader.
100% non-sparking. (8 lbs.)

Part# 272302
Replacement blade. (.35 lbs.)

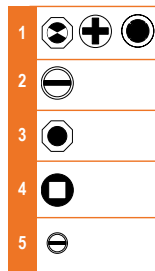
Universal Drum Plug Wrench

- Heavy duty cast iron construction.
- Opens most plugs and bung nuts, male & female, steel & plastic.
- Iron alloy will not chip or bend in normal use.
- Protects knuckles.



Part# 272017
(4 lbs.)
Handles bung patterns
1, 2, 3, & 4.

Bung Patterns



Non-Sparking Drum Plug Wrenches

- Bronze alloy.
- Stronger than aluminum.
- Offset handle design reduces user stress and minimizes knuckle injury.



Part# 272016
(2 lbs.)
Our most popular wrench.
Handles bung patterns
1, 2, 3, & 5.



Part# 272178
(.53 lbs.)
Aluminum Non-Sparking Drum Wrench.
Handles bung patterns 1 & 3.



Part# 272086
(3 lbs.)
Deluxe model. Built-in 1.25" wrench for tightening faucets into drums. Handles bung patterns 1, 2, 3, & 5.

Part #	Description	Weight - lbs	Overall Width	Overall Height	Overall Length
272303	Vertical slide deheader	6.20	5.75"	5.875"	17.75"
272304	Replacement blade for Part# 272303	1.00	2.75"	2.75"	.1875" (THK)
272018	Manual drum deheader	7.00	6"	4.25"	20.68"
272012	Replacement blade for Part# 272018 deheader	.73	2.75"	2.50"	.1875" (THK)
440013	Zinc plated heavy duty deheader	9.00	6.375"	4.625"	23.625"
440014	Replacement blade for Part# 440013 deheader	.60	3.1875"	2.875"	.1875" (THK)
272301	Non-sparking deheader	8.00	6.625"	4.875"	19"
272302	Replacement blade for Part# 272301 deheader	.35	2.875"	2.375"	.1875" (THK)
272017	Universal cast iron drum wrench	4.00	3.625"	3.50"	13.125"
272016	Standard non-sparking drum wrench	2.00	2.50"	3.25"	12"
272178	Non-sparking aluminum wrench	.53	2.25"	1.75"	10.25"
272086	Deluxe non-sparking drum wrench	3.00	3.625"	3.125"	11.50"

Application Information (For Rotary and Lever Pumps): WESCO iron drum pumps have wetted parts fabricated from cast iron, steel, phenolic (270021 & 272212 only), and neoprene (272210 only) materials. These pumps were designed primarily for the transfer of fuel oil products. It should be noted that these pumps can only be used for chemicals which are compatible with cast iron, steel, neoprene and phenolic.

We recommend that if a question arises, the user contact the supplier of chemicals to determine if these pumps are compatible with those chemicals. WESCO is unable to offer specific recommendations for chemical usage.

Rotary Pump

- 47" 3 piece plated suction tube (assembled).
- Durable phenolic veins.
- Self-priming.
- Supplied with 48" PVC discharge tube.
- UPS shippable.
- Rugged cast iron construction.
- ALWAYS USE A GROUND WIRE.



Part# 272212
Deluxe Combo (consists of #270021 Rotary Pump and #272211 Drip Pan) (18 lbs.)

Part# 270021
Cast Iron Rotary Drum Pump ONLY (12.5 lbs.)

Non-Sparking Rotary Pump

- Rugged aluminum construction.
- 47" 3 piece steel-plated suction tube (assembled).
- Durable phenolic veins.
- Self-priming.
- Supplied with 48" PVC discharge tube.
- UPS shippable.
- ALWAYS USE A GROUND WIRE.



Aluminum Pump only.

Part# 440017
Aluminum, non-sparking for medium viscosity petroleum-based products. Does not include drip pan. (17 lbs.)



Part# 272210
(18 lbs.)

Lever Pump/ Drip Pan

- For installation on pumps with metal suction tube.
- Cast iron and steel construction.
- Hinged cover and bung/suction adapter.
- UPS shippable.
- ALWAYS USE A GROUND WIRE.



Part# 272211
Drip pan. (6 lbs.)



Part# 272397
(13 lbs.)

304 Stainless Steel Rotary Pump

- Made from corrosion resistant materials of construction.
- 304 stainless steel pump body.
- 304 stainless steel dispensing spout.
- 304 stainless steel 3 piece suction tube.
- PTFE vanes.
- UPS shippable.
- Compatible fluids: solvents, oils, mild corrosives.
- Min./ Max. temperature rating: 40° Fahrenheit / 140° Fahrenheit.
- 2" NPT Bung Adapter fits 15, 30 and 55 gallon drums.
- ALWAYS USE A GROUND WIRE.

Part #	Description	Weight - lbs	Overall Width	Overall Height	Overall Length
270021	Cast iron pump	12.50	9.4375"	56.25"	8.75"
272212	Deluxe combo with drip pan	18.00	9.4375"	56.25"	14"
440017	Non-sparking rotary pump	17.00	9.4375"	56.25"	9.50"
272210	Lever pump with drip pan	18.00	15.875"	60.343"	14"
272211	Drip pan	6.00	6.3125"	6.00"	14"
272397	304 stainless steel rotary pump	13.00	9.125"	53.125"	8.75"

WESCO® 100 SERIES INDUSTRIAL HAND TRUCKS

- Industrial strength heavy duty 3/4" structural steel frame construction.
- Ribbed cross braces for extra strength.
- All joints double welded.
- 8" deep by 14" wide nose is 7 gauge thick plate with machined beveled edge and radiused corners for safety.
- Zinc plated Auto-Loc® axles assure smooth wheel rotation.
- All frames handle 8" or 10" wheels.
- Order by part # or model #. Part # 210009 or Model # 126-R

A WESCO EXCLUSIVE
5 YEAR GUARANTEE
 ★ AGAINST WELD FAILURE ★

Wesco Exclusive: Ribbed Cross Straps for Additional Strength



126-Z



Series 126

- Single pin handle curved back design allows one hand control.
- Ideal for boxes, kegs, and packages.
- Three horizontal cross straps and full height vertical center strap offer support for small packages.

OVERALL DIMENSIONS

w: 22.5"
 h: 46"
 d: 16.5" w/8" wheel 18.5" w/10" wheel



126D-Z8



Series 126D

- Single "D" shaped handle allows multiple hand positions for one hand control.
- Ideal for boxes, kegs, and packages.
- Three horizontal cross straps and full height vertical center strap provide support for small packages.

OVERALL DIMENSIONS

w: 22.5"
 h: 46"
 d: 16.5" w/8" wheel 18.5" w/10" wheel



136-Z



Series 136

- Two handle tapered body design.
- Three heavy duty horizontal cross straps for added strength.
- Full height center strap provides support for small packages.

OVERALL DIMENSIONS

w: 22.5"
 h: 46"
 d: 16.5" w/8" wheel 18.5" w/10" wheel

Part #	210009	210010	210011	210380	210012	210370	210016	210017	210018	210381	210019	210371	210024	210025	210026	210382	210027	210372
Model #	126-R	126-Z8	126-Z	126-Z2	126-P	126-PE	126D-R	126D-Z8	126D-Z	126D-Z2	126D-P	126D-PE	136-R	136-Z8	136-Z	136-Z2	136-P	136-PE
Capacity	800 lbs	600 lbs	700 lbs	800 lbs	700 lbs	700 lbs	800 lbs	600 lbs	700 lbs	800 lbs	700 lbs	700 lbs	800 lbs	600 lbs	700 lbs	800 lbs	700 lbs	700 lbs
Wheel Type	R	Z8	Z	Z2	P	PE	R	Z8	Z	Z2	P	PE	R	Z8	Z	Z2	P	PE
Weight	32 lbs	38 lbs	40 lbs	40 lbs	37 lbs	34 lbs	33 lbs	39 lbs	41 lbs	41 lbs	38 lbs	35 lbs	33 lbs	39 lbs	41 lbs	40 lbs	39 lbs	34 lbs

100 Series Industrial Hand Truck Options

Nose Extension

- 24" long, 10.5" wide.
- Steel construction.



Stairclimber

- Continuous belt.
- Replaceable parts.
- Only available on 10" wheeled models.
- Factory installed only.



Cargo Push-Off Kit

- Fits any Wesco 100 Series or Greenline Series steel hand trucks.
- Foot operated pedal pushes cargo off noseplate.
- Easy installation - no drilling required.



Part #	210099	054201	270412	210079
Model #	FN-24K	FN-24F	CBSCF	
Description	24" Nose Extension - Field Installation	24" Nose Extension - Factory Installed	Continuous belt stairclimber Must be Factory Installed	Box Push Off - Field Installation
Weight	4 lbs	4 lbs	7 lbs	6 lbs

FACTORY INSTALLED add part # or model # to end of industrial hand truck part or model #.
EXAMPLE: 156R with 24" nose extension Part # 210044,054201 or Model #156-R-FN-24F.

Additional choices not listed above.

R	Z8	Z	Z2	P	PE	BC-8	BC-10	CF (Flat Free)
Aluminum 8" x 1.625" Moldon Rubber	Poly Offset 8" x 2" Solid Rubber	Steel Offset 10" x 2.75" Semi-Pneumatic	Poly Offset 10" x 2.75" Solid Rubber	Steel Offset 10" x 3.5" Pneumatic	Steel Offset 10" x 3.5" Pneumatic	Poly Hub 8" x 2.165" Balloon Cushion	Poly Hub 10" x 2.165" Balloon Cushion	Steel Offset 10" x 3" Microcellular
108545	150697	150589	150698	050602	151551	150229	150228	053446

WESCO® 100 SERIES INDUSTRIAL HAND TRUCKS

Series 626D-SS

- **Stainless steel** model 7.5" deep x 13.75" wide, 7 gauge beveled nose plate with radiused corners for safety.
- **For complete details, see Page 8.**

Part #	210362
Model #	626D-SS
Capacity	500 lbs
Weight	24 lbs

304 Stainless Steel



Wesco Exclusive: Ribbed Cross Straps for Additional Strength

A WESCO EXCLUSIVE
5 YEAR GUARANTEE
 ★ AGAINST WELD FAILURE ★



146-R

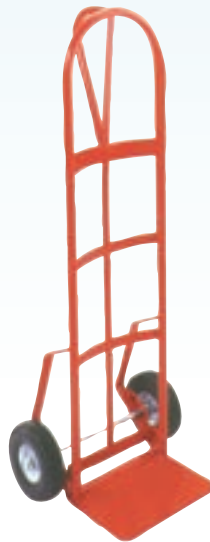


Series 146

- Two handle extra high back curved design.
- Ideal for high loads.
- Four horizontal cross straps and vertical center strap provide support for small packages.

OVERALL DIMENSIONS

w: 22.5"
 h: 51"
 d: 16.5" w/8" wheel 18.5" w/10" wheel



146D-Z8



Series 146D

- Single "D" shaped handle combined with high back curved design.
- Easier one hand control of stacked goods.
- Four horizontal cross straps and vertical center strap provide support for small packages.

OVERALL DIMENSIONS

w: 22.5"
 h: 51"
 d: 16.5" w/8" wheel 18.5" w/10" wheel



156-Z Steel



Series 156

- Swept back continuous handle with curved back design.
- Versatile frame that allows one or two hand control.
- Four horizontal cross straps and vertical center strap provide support for small packages.
- **Stainless** model has 8" x 2" polyurethane tread on polypropylene hub, non-marking wheels with 440 stainless sealed 3/4" precision ball bearing.

OVERALL DIMENSIONS

w: 22.5"
 h: 48"
 d: 16.5" w/8" wheel 18.5" w/10" wheel

156-PP8-SS
 304 Stainless Steel

304 Stainless

Part #	210032	210033	210034	210383	210035	210373	210038	270056	210039	210384	210040	210374	210044	210045	210046	210385	210047	210375	210351
Model #	146-R	146-Z8	146-Z	146-Z2	146-P	146-PE	146D-R	146D-Z8	146D-Z	146D-Z2	146D-P	146D-PE	156-R	156-Z8	156-Z	156-Z2	156-P	156-PE	156-PP8-SS
Capacity	800 lbs	600 lbs	700 lbs	800 lbs	700 lbs	700 lbs	800 lbs	600 lbs	700 lbs	800 lbs	700 lbs	700 lbs	800 lbs	600 lbs	700 lbs	800 lbs	700 lbs	700 lbs	600 lbs
Wheel Type	R	Z8	Z	Z2	P	PE	R	Z8	Z	Z2	P	PE	R	Z8	Z	Z2	P	PE	PP8
Weight	34 lbs	40 lbs	42 lbs	42 lbs	39 lbs	36 lbs	35 lbs	41 lbs	43 lbs	42 lbs	41 lbs	36 lbs	34 lbs	37 lbs	39 lbs	40 lbs	36 lbs	34 lbs	33 lbs

PP8 8" x 2" Polyurethane Tread Polypropylene Hub 3/4" Ball Bearing	R Aluminum 8" x 1.625" Moldon Rubber	Z8 Poly Offset 8" x 2" Solid Rubber	Z Steel Offset 10" x 2.75" Semi-Pneumatic	Z2 Poly Offset 10" x 2.75" Solid Rubber	P Steel Offset 10" x 3.5" Pneumatic	PE Steel Offset 10" x 3.5" Pneumatic	BC-8 Poly Hub 8" x 2.165" Balloon Cushion	BC-10 Poly Hub 10" x 2.165" Balloon Cushion	CF (Flat Free) Steel Offset 10" x 3" Microcellular
053733	108545	150697	150589	150698	050602	151551	150229	150228	053446

Additional choices not listed above.

A WESCO EXCLUSIVE
5 YEAR GUARANTEE
 ★ AGAINST WELD FAILURE ★

- Structural steel frame construction.
- Ribbed x-braces for extra strength.
- All joints double welded.

The Touch-N-Tilt® Ergonomic Hand Truck

Press the pedal and the effort to break over the load is reduced by as much as 66%. Minimizes physical demands of the workplace.



Push a pedal and your load feels lighter – 66% lighter

Touch-N-Tilt®

- Simple and affordable.
- Up to 700 lbs. capacity.
- Available with 8" or 10" wheels.
- Same strong frames used on Wesco 100 series industrial truck.
- Noseplate 7 GA. 8" D x 14" W.

OVERALL DIMENSIONS

w:	20"	22"	22"
h:	50"	50"	50"
d:	19.75"	19.75"	19.75"



156DH-PP8-SS
 304 STAINLESS STEEL

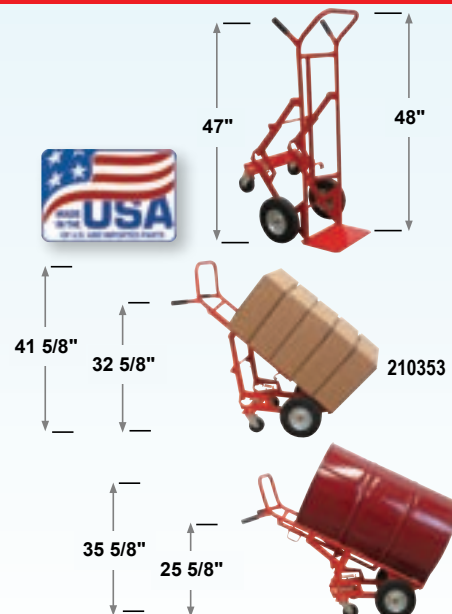
156DH Drum/Hand Truck

- Utility of a hand truck & drum truck.
- Chime hook works with 55 and 30 gallon steel drums.
- Curved frame holds 5-gallon pails and kegs.
- With noseplate resting flat on floor, 18" to center of lowered chime hook.
- Noseplate 7.8" D x 14" W.
- Stainless model has 8" x 2" polyurethane tread on polypropylene hub, non-marking wheels with 440 stainless sealed 3/4" precision ball bearing.

OVERALL DIMENSIONS

w:	20.5"	20.5"	20.5"
h:	48"	48"	48"
d:	18.5"	17.5"	18.5"

304 Stainless



4-Wheel Drum Cart

- Two position, 4-wheel transport design to handle drums and standard loads.
- **Position I:** Easily handles and maneuvers standard loads as a 4-wheel transport.
- **Position II:** With the chime hook engaged and a press of the foot pedal, the frame tilts a 30 or 55 gallon steel drum to a balanced position to maintain 4-wheel contact even with half empty bottom heavy drums.
- Two 3.5" x 1.5" polyolefin swivel casters for easy maneuverability in narrow spaces.
- Chime hook to engage 30 & 55 gallon steel drums.
- 7.8" D x 14" W beveled edge noseplate.
- Curved frame holds 5-gallon pails and kegs.

OVERALL DIMENSIONS

w:	19.25"	19.25"
h:	26.25"	48.5"
d:	48"	25"

Part #	210546	210549	210547	210340	210349	210266	210352	210353	210354
Model #	TNT56-Z	TNT56-Z2	TNT56-P	156DH-Z	156DH-HB	156DH-P	156DH-PP8-SS	4WDC-ZC	4WDC-HBC
Capacity	600 lbs	700 lbs	600 lbs	700 lbs	800 lbs	700 lbs	600 lbs	800 lbs	900 lbs
Wheel Type	Z	Z2	P	Z	HB	P	8" Polyurethane	10"/Z	8"/HB
Weight	41.5 lbs	42 lbs	38.5 lbs	39 lbs	42.5 lbs	39 lbs	33.5 lbs	66 lbs	66 lbs

PE	SR	Z	HB	Z2	P	PP8
Steel Offset 10" x 3.5" Pneumatic	Poly Offset 10" x 2.5" Solid Rubber	Steel Offset 10" x 2.75" Semi-Pneumatic	Cast Iron 8" x 2" Moldon Rubber	Poly Offset 10" x 2.75" Solid Rubber	Steel Offset 10" x 3.5" Pneumatic	8" x 2" Polyurethane Tread Polypropylene Hub 3/4" Ball Bearing
151551	108479	150589	150120	150698	050602	053733

WESCO® HEAVY DUTY STEEL HAND TRUCKS



Oversized 12" pneumatic tire for easy mobility on rough terrain.



ST2-P12

Heavy Duty Shovel Nose Trucks

- Five year weld guarantee.
- 13" deep x 17.5" x .25" thick tapered nose plate.
- 1" heavy duty structural steel frame.
- Easy grip continuous handle frame design.
- 3/4" axle.
- Wheel guards.
- 2 wheel types - 8" & 12".

OVERALL DIMENSIONS	
w:	20.5" 20.5"
h:	53" 53"
d:	22" 25.5"

A WESCO EXCLUSIVE
5 YEAR GUARANTEE
★ AGAINST WELD FAILURE ★



Swivel
caster →

186-ZC

Heavy Duty 186 Series

- Rear caster design allows small diameter turns in tight areas.
- Combination two handle and utility bar handle design.
- Distribution of load over 4 wheels improves load control.
- All wheels have ball bearings.
- Wheel guards.

OVERALL DIMENSIONS	NOSE PLATE
w: 20.5"	d: 8"
h: 48"	
d: 25"	



Steel Reinforced on underside of nose plate.

146RN-HB

Heavy Duty Hand Truck

- 8" x 2" cast iron center moldon rubber wheels.
- 7.25" x 14" steel reinforced nose plate.
- .75 inch axle.
- Five handle choices.

OVERALL DIMENSIONS

w: 19.625"
h: 51"
d: 17.5"



126 HANDLE 126D HANDLE 136 HANDLE 146 HANDLE 156 HANDLE

Part #	210064	210066	210125	210263	210264	210134	210135	210265
Model #	ST2-HB	ST2-P12	186-ZC	126RN-HB	126DRN-HB	136RN-HB	146RN-HB	156RN-HB
Capacity	900 lbs	800 lbs	800 lbs	800 lbs	800 lbs	800 lbs	800 lbs	800 lbs
Wheel: Front	HB	P-12"	Z	HB	HB	HB	HB	HB
Rear	N/A	N/A	4" x 1.25" Poly Swivel Caster	N/A	N/A	N/A	N/A	N/A
Weight	69 lbs	69 lbs	53 lbs	39 lbs	40 lbs	41.5 lbs	42 lbs	38 lbs

- 5 year weld guarantee.
- All joints double welded.
- Structural steel frame construction.
- Ribbed x-braces for added strength.

RK-8 Poly Hub 8" x 2.25"	Z Steel Offset 10" x 2.75" Semi-Pneumatic	HB Cast Iron 8" x 2" Moldon Rubber	P-12 Steel Offset 12" x 4"
050566	150589	150120	108484

A WESCO EXCLUSIVE
5 YEAR GUARANTEE
 ★ AGAINST WELD FAILURE ★



TM-BT



TM4W-HB

Heavy Duty Warehouse Trucks

- **Five year weld guarantee.**
- Large 10" deep x 16.5" wide x .25" thick tapered nose plate.
- 1" heavy duty structural steel frame.
- Wheel guards standard.
- Dual handle design.
- Kick out four wheel model – TM4W or standard two wheel model.
- 3.5" moldon rubber swivel casters on four wheel kick out trucks.
- **New longer 14 ft. belt length on TM4W models.**

OVERALL DIMENSIONS			OVERALL DIMENSIONS		
w: 21"	21"	21"	w: 20.5"	20.5"	20.5"
h: 50.5"	50.5"	50.5"	h: 37.25" 4-Wheel / 50.25" 2 Wheel		
d: 22.5"	23.5"	24"	d: 22.5"	22"	22"



156-S23-Z2



2-in-1 Deluxe Industrial Steel Hand Trucks

- **5 Year Weld Guarantee.**
- Converts easily between 2 and 4 wheel truck.
- Handle locks in horizontal and vertical positions.
- Two lengthwise straps and two cross braces prevent package fall-through.
- Caster: 3.5" TPR gray, non-marking, round tread, thermoplastic rubber wheel resists almost every type of floor debris including metal shavings chips, sand and gravel.
- Heavy duty 3/4" Dia. structural steel frame. All joints double welded, both sides.
- Bed size: 14" x 44.5".
- Noseplate 14"W x 8"D.
- Less energy required to start moving load and keep it moving.
- Smooth, quiet ride of a soft-tread wheel, durable as a hard-tread wheel.

OVERALL DIMENSIONS
w: 20.5"
h: 53"
d: 19"

Part #	210055	210056	210239	210060	210061	210062	210138	210140	210139
Model #	TM-HB	TM-PB	TM-BT	TM4W-HB	TM4W-PB	TM4W-BT	156-S23-Z	156-S23-Z2	156-S23-P
Capacity	900 lbs	700 lbs	1,000 lbs	900 lbs	700 lbs	1,000 lbs bs	2 wheel - 700 lbs 4 wheel - 1,000 lbs	2 wheel - 800 lbs 4 wheel - 1,000 lbs	2 wheel - 700 lbs 4 wheel - 1,000 lbs
Wheel Type	HB	PB	BT	HB	PB	BT	Z	Z2	P
Caster	N/A	N/A	N/A	3.5"	3.5"	3.5"	3.5"	3.5"	3.5"
Weight	54 lbs	49 lbs	75 lbs	78 lbs	75 lbs	98 lbs	61 lbs	58 lbs	55 lbs

HB	PB	BT	PE	SR	Z	Z2	P
Cast Iron 8" x 2" Moldon Rubber	Steel Offset 10" x 3.5" Pneumatic	Cast Iron 10" x 2.5" Moldon Rubber	Steel Offset 10" x 3.5" Pneumatic	Poly Offset 10" x 2.5" Solid Rubber	Steel Offset 10" x 2.75" Semi-Pneumatic	Poly Offset 10" x 2.75" Solid Rubber	Steel Offset 10" x 3.5" Pneumatic
150120	108478	150596	151551	108479	150589	150698	050602

HAND TRUCKS

WESCO® GREENLINE STANDARD DUTY STEEL HAND TRUCKS

- Economically priced.
- Zinc plated Auto-Loc® axles assure smooth wheel rotation.
- All frames can accommodate an 8" or 10" wheel.

- 7" deep x 14" wide 7 gauge beveled nose plate with radiused corners for safety.
- 1" OD x 14 gauge wall tubular frame.

- Order by part # or model #.

Example:

Part # or Model #
210461 626-Q

Series 626

- Pin handle with curved back design.
- Welded frame construction.
- 1" O.D. tube.

OVERALL DIMENSIONS

w: 21.75"
h: 45.5"
d: 17"



626-Z8

Series 626D

- Single loop handle with curved back design.
- Welded frame construction.

OVERALL DIMENSIONS

w: 21.75"
h: 50.5"
d: 17"



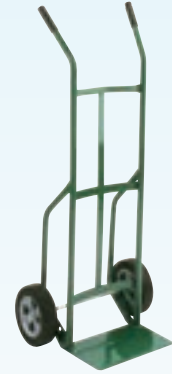
626D-R

Series 636

- Dual handle curved back design.
- Welded frame construction.
- 1" O.D. tube.

OVERALL DIMENSIONS

w: 21.75"
h: 48.5"
d: 17"



636-Z8

Part #	210466	210330	210361	210456	210356	210467	210331	210362	210457	210357	210468	210332	210363	210458	210358
Model #	626-R	626-Z8	626-Z2	626-P	626-PE	626D-R	626D-Z8	626D-Z2	626D-P	626D-PE	636-R	636-Z8	636-Z2	636-P	636-PE
Capacity	600 lbs	500 lbs	600 lbs	600 lbs	600 lbs	600 lbs	500 lbs	600 lbs	600 lbs	600 lbs	600 lbs	500 lbs	600 lbs	600 lbs	600 lbs
Wheel Type	R	Z8	Z2	P	PE	R	Z8	Z2	P	PE	R	Z8	Z2	P	PE
Weight	25.5 lbs	25.5 lbs	31 lbs	27.5 lbs	26 lbs	27 lbs	27 lbs	36 lbs	29 lbs	27.5 lbs	26 lbs	26 lbs	31.5 lbs	28 lbs	26.5 lbs

Series 646

- Dual pin handle with curved back design.
- Welded frame construction.
- 1" O.D. tube.

OVERALL DIMENSIONS

w: 21.75"
h: 50.5"
d: 20"



646-Z2

Series 656

- Continuous handle with curved back design.
- Welded frame construction.
- 1" O.D. tube.

OVERALL DIMENSIONS

w: 21.75"
h: 49"
d: 19"



656-P

Folding Nose Extension Option

- To order field installation simply note part # or model # on P.O.
- To order factory installed option (626D-R with 24" nose extension) add option part # or model to the end of the truck part # or model.



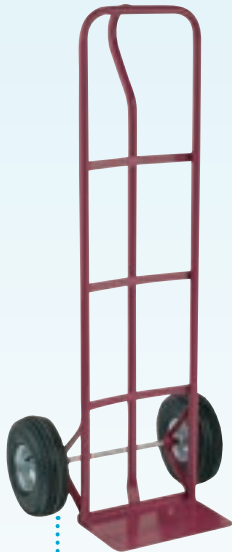
Example:

Part # 210467,054218
or
Model + Option
626D-R-FNG-24F

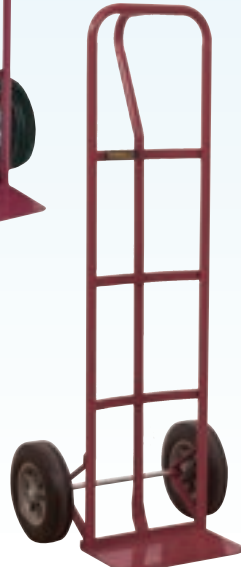
Part #	210469	210333	210364	210459	210359	210470	210334	210365	210460	210360	210249	054218
Model #	646-R	646-Z8	646-Z2	646-P	646-PE	656-R	656-Z8	656-Z2	656-P	656-PE	FNG-24K	FNG-24F
Capacity	600 lbs	500 lbs	600 lbs	600 lbs	600 lbs	600 lbs	500 lbs	600 lbs	600 lbs	600 lbs	Capacity rating same as truck.	
Wheel Type	R	Z8	Z2	P	PE	R	Z8	Z2	P	PE	Field Installation	Factory Installed
Weight	27 lbs	27 lbs	32.5 lbs	29 lbs	27.5 lbs	27.5 lbs	27.5 lbs	33 lbs	29.5 lbs	28 lbs	4 lbs	4 lbs

Additional choices not listed above.

R	Z8	Z2	P	PE	BC-8	BC-10	CF (Flat Free)	Z
Aluminium 8" x 1.625" Moldon Rubber	Poly Offset 8" x 2" Solid Rubber	Poly Offset 10" x 2.75" Solid Rubber	Steel Offset 10" x 3.5" Pneumatic	Steel Offset 10" x 3.5" Pneumatic	8" x 2.165" Poly Hub Balloon Cushion	10" x 2.165" Poly Hub Balloon Cushion	10" x 3" Steel Offset Microcellular	10" x 2.75" Steel Offset Semi-Pneumatic
108545	150697	150698	050602	151551	150229	150228	053446	150589



210127



210215

SR Economy Hand Truck

- 7.5" x 14" nose plate.
- 16 gauge frame.
- Two Wheel Choices: 10" Pneumatic and 10" Solid Rubber Wheels.

OVERALL DIMENSIONS

w: 21.5"	21.5"
h: 51"	51"
d: 19"	19"

Curb Ramp

- Lightweight, portable ramp allows for easy movement up and down curbs. **600 lb capacity.**



OVERALL DIMENSIONS

w: 21.5"
h: 6"
d: 23.5"

Part #	150800
Description	Yellow generic
Weight	7 lbs



656-21-Z

Greenline Economical 2-in-1

- Converts easily between 2 and 4 wheel truck.
- Double welded tubular construction.
- Lengthwise strap and cross braces prevent package fall-through.
- Solid rubber swivel casters.
- Bed size 13" x 36".
- 14" W x 7" D noseplate.

OVERALL DIMENSIONS

w: 20"	20"	20"	20"
h: 48"	48"	48"	48"
d: 15"	16"	16"	16"



E-CON

Greenline E-Con 2-in-1 Truck

- Heavy duty tubular steel construction.
- 18" w. x 8.5" d. noseplate.
- Lever activated position conversion.
- Wheel guards.
- Bed size - 13.75" x 48".
- Wheel: 10" x 2.75" solid rubber.
- Swivel caster: 5" x 1.375" moldon polyurethane.

OVERALL DIMENSIONS

w: 19.5"
h: 58"
d: 18"

Part #	210127	210215	210321	210324	210326	210325	210639
Model #	SR Economy-PE	SR Economy - SR	656-21-Z8	656-21-Z	656-21-Z2	656-21PE	E-CON
Capacity	500 lbs	500 lbs	500 lbs	500 lbs	500 lbs	500 lbs	700 lbs
2 wheel			600 lbs	600 lbs	600 lbs	600 lbs	800 lbs
4 wheel							
Caster	N/A	N/A	5"	5"	5"	5"	5"
Wheel Type	10" Pneumatic	10" Solid Rubber	Z8	Z	Z2	PE	10" x 2.75" Solid Rubber
Weight	26 lbs	28 lbs	7 lbs	46 lbs	44 lbs	38 lbs	74 lbs

Z8	Z	Z2	PE	P
Poly Offset 8" x 2" Solid Rubber	Steel Offset 10" x 2.75" Semi-Pneumatic	Poly Offset 10" x 2.75" Solid Rubber	Steel Offset 10" x 3.5" Pneumatic	Steel Offset 10" x 3.5" Pneumatic
150697	150589	150698	151551	050602



*** For Aluminum Convertible Trucks, see pages 36-38.**

WESCO® CYLINDER TRUCKS AND CARTS



LLHPB

LLWPB

Hydraulic Cylinder Lift

- 1-year warranty, parts only.
- WESCO manufactured hydraulic Pedalift Jack, over 35 years of proven quality.
- Easily lifts and transports gas cylinders.
- Swivel casters make maneuvering in tight places easier.
- Two models:
 - Foot operated hydraulic pump.
 - Manual winch with auto-brake feature.
- Maximum cylinder diameter 9.5".
- Platform size: 12" x 20".

OVERALL DIMENSIONS

w:	20"	20"
h:	54"	58"
d:	29.25"	29.25"

210124
4-wheel mode



210124
storage mode



210123
2-wheel mode



Professional Series Cylinder Trucks

- Safety chain helps secure load.
- Easy conversion between all 3 modes using spring-loaded position lock mechanism.
- 8" moldon rubber wheels, 3" swivel casters.
- Holds cylinders up to 9 1/4" in. diameter.
- Noseplate 9" W x 7 1/4" D - single cylinder.
- Noseplate 16 7/8" W x 7 1/4" D - double cylinder.

4-WHEEL OVERALL DIMENSIONS

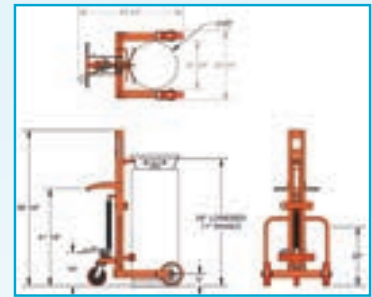
w:	19"	29"
h:	36.5"	37"
d:	32"	32"

2-WHEEL OVERALL DIMENSIONS

w:	19"	29"
h:	41.75"	42.25"
d:	17.5"	18.5"

STORAGE OVERALL DIMENSIONS

w:	19"	29"
h:	41.75"	42.25"
d:	26"	26"



240251



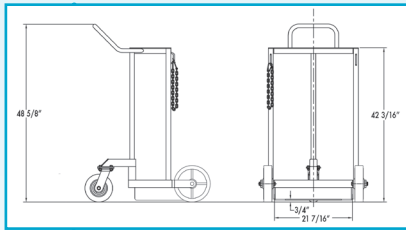
Hydraulic Large Liquid Gas Cylinder Cart

- 1-year warranty, parts only.
- WESCO made hydraulic pump - over 35 years of proven quality.
- Easy transport of large liquid 20" gas cylinders.
- Foot operated hydraulic pump.
- 10" x 2.5" polyurethane wheels.
- 8" polyurethane non-marking swivel caster with swivel locks.
- Ratchet tightening belt to secure cylinder.
- Lifting hook engages cylinder without hand contact - permits hands-free lifting.
- #240250 - without brake.
- #240251 - with brake.

OVERALL DIMENSIONS

w:	29.75"
h:	66.25"
d:	44.75"

Part #	260161	260163	210123	210124	240250	240251
Model #	LLHPB	LLWPB	CC-1	CC-2	HLCC	HLCC-B
Capacity	300 lbs	300 lbs	250 lbs	500 lbs	1,000 lbs	1,000 lbs
Wheel Type	5"	5"	8" Moldon Rubber	8" Moldon Rubber	10" x 2.5" Polyurethane	With Brake 10" x 2.5" Polyurethane
Caster	5" swivel	5" swivel	3"	3"	8" x 2" Swivel	8" x 2" Swivel
Lift Height	40" / Hydraulic	40" / Winch	N/A	N/A	71"	71"
Lowered Height	25"	.25"	N/A	N/A	54"	54"
Weight	165 lbs	152 lbs	40 lbs	50 lbs	130 lbs	140 lbs



Large Liquid Gas Cylinder Cart

- Easy transport of large liquid 20" gas cylinders.
- Low profile design eases cylinder loading
- Upright design takes up less floor space than traditional lay-back design and provides greater maneuverability in confined space.
- 8" polyurethane-tread, non-marking crowned swivel caster with rolling and swivel lock.
- 10" polyurethane-tread main wheels.
- Heavy duty structural pipe and steel pipe frame.
- Quick-connecting chain helps secure load.

OVERALL DIMENSIONS

w: 30"
h: 48.625"
d: 31"

Variable Speed Power Drive Provides Unmatched Mobility and Maneuverability in a Compact Design



Large Liquid Gas Cylinder Cart with Power Drive

- 180 degree hinged design allows precision steering in confined spaces.
- Maximum speed with full charge 1.7 mph (2.5 fpm) (No Load).
- Speed control is adjustable from 0 to 1.7 mph.
- Automatic Dead Man Brake engages if handle is released.
- Automatic emergency safety switch instantly reverses direction if control comes in contact with the operator or an obstacle.
- Low profile design for ease of cylinder loading
- High Strength Structural Tube Frame for Durability.
- Large 10" x 2.5" Polyurethane Front Wheels for smooth operation.
- Quick-connect Ratchet Strap to secure cylinder.

OVERALL DIMENSIONS

w: 30"
h: 49"
d: 40"

Part #	210131	210131-PD
Model #	LCC	LCC-PD
Capacity	1,000 lbs	1,000 lbs
Wheel Type	10" x 2.5" Polyurethane	10" x 2.5" Polyurethane
Caster	8" x 2" Swivel	8" x 2" Swivel
Lift Height	N/A	N/A
Lowered Height	N/A	N/A
Weight	90 lbs	196 lbs

10" x 2.5"
Polyurethane
Tread Poly-
propylene Hub



053730

Hydraulic Cylinder Lift Truck— see page 61.



WESCO® COBRA-LITE ALUMINUM HAND TRUCKS

Cobra-Lite features:

- All aluminum construction.
- Heavy duty cast 7.5" by 14" or 7.5" by 18" wide nose plate options.
- Quality light weight truck at an economical price.

- Ships KD and boxed or as components (see page 34/35).
- All 2" wide cross braces for additional strength. Great for advertising label.
- Assembly option available. Add "-A" to Part # below. Example: 220566-A.



Series 410

- Continuous handle.
- 49" overall height.
- Most popular model.
- Available with vinyl dipped handle. See component system on page 34/35.

OVERALL DIMENSIONS

w: 18"
h: 49"
d: 20



Series 420

- High back pin handle.
- Comfortable vinyl hand grip.
- 52" overall height.

OVERALL DIMENSIONS

w: 18"
h: 52"
d: 20



T14" Nose Part #	220562	220332	220321	220370	220322	220375	220564	220333	220324	220371	220325	220376
Model #	410-T14-BC10	410-T14-R3	410-T14-Z	410-T14-Z2	410-T14-P	410-T14-PE	420-T14-BC10	420-T14-R3	420-T14-Z	420-T14-Z2	420-T14-P	420-T14-PE
Capacity	560 lbs	600 lbs	600 lbs	600 lbs	600 lbs	600 lbs	560 lbs	600 lbs	600 lbs	600 lbs	600 lbs	600 lbs
Wheel Type	BC-10	R3	Z	Z2	P	PE	BC-10	R3	Z	Z2	P	PE
Weight	23 lbs	23 lbs	27.5 lbs	31 lbs	22.5 lbs	21 lbs	23 lbs	19.5 lbs	27.5 lbs	26 lbs	22.5 lbs	21 lbs
T18" Nose Part #	220563	220392	220381	220396	220382	220365	220565	220393	220384	220397	220385	220366
Model #	410-T18-BC10	410-T18-R3	410-T18-Z	410-T18-Z2	410-T18-P	410-T18-PE	420-T18-BC10	420-T18-R3	420-T18-Z	420-T18-Z2	420-T18-P	420-T18-PE
Capacity	560 lbs	600 lbs	600 lbs	600 lbs	600 lbs	600 lbs	560 lbs	600 lbs	600 lbs	600 lbs	600 lbs	600 lbs
Wheel Type	BC-10	R3	Z	Z2	P	PE	BC-10	R3	Z	Z2	P	PE
Weight	23 lbs	20.5 lbs	28.5 lbs	27 lbs	23.5 lbs	22 lbs	23 lbs	20.5 lbs	28.5 lbs	27 lbs	23.5 lbs	22 lbs

Series 450

- Twin handle style with vinyl grips.
- 49" overall height.

OVERALL DIMENSIONS

w: 18"
h: 49"
d: 20



Series 470

- High back loop handle.
- 52" overall height.

OVERALL DIMENSIONS

w: 18"
h: 52"
d: 20



T14" Nose Part #	220566	220334	220327	220372	220328	220377	220568	220335	220330	220373	220331	220378
Model #	450-T14-BC10	450-T14-R3	450-T14-Z	450-T14-Z2	450-T14-P	450-T14-PE	470-T14-BC10	470-T14-R3	470-T14-Z	470-T14-Z2	470-T14-P	470-T14-PE
Capacity	560 lbs	600 lbs	600 lbs	600 lbs	600 lbs	600 lbs	560 lbs	600 lbs	600 lbs	600 lbs	600 lbs	600 lbs
Wheel Type	BC-10	R3	Z	Z2	P	PE	BC-10	R3	Z	Z2	P	PE
Weight	23 lbs	20 lbs	28 lbs	26.5 lbs	23 lbs	21.5 lbs	23 lbs	20 lbs	28 lbs	27 lbs	23 lbs	21.5 lbs
T18" Nose Part #	220567	220394	220387	220398	220388	220367	220569	220395	220390	220399	220391	220368
Model #	450-T18-BC10	450-T18-R3	450-T18-Z	450-T18-Z2	450-T18-P	450-T18-PE	470-T18-BC10	470-T18-R3	470-T18-Z	470-T18-Z2	470-T18-P	470-T18-PE
Capacity	560 lbs	600 lbs	600 lbs	600 lbs	600 lbs	600 lbs	560 lbs	600 lbs	600 lbs	600 lbs	600 lbs	600 lbs
Wheel Type	BC-10	R3	Z	Z2	P	PE	BC-10	R3	Z	Z2	P	PE
Weight	23 lbs	21 lbs	29 lbs	27.5 lbs	24 lbs	22.5 lbs	23 lbs	21 lbs	29 lbs	27.5 lbs	24 lbs	22.5 lbs

BC-10	R3	Z	Z2	P	PE	BC-8	CF (Flat Free)
Poly Offset Hub 10" x 2.165" Balloon Cushion	Aluminum Offset 8" x 1.625" Moldon Rubber	Steel Offset 10" x 2.75" Semi-Pneumatic	Poly Offset 10" x 2.75" Solid Rubber	Steel Offset 10" x 3.5" Pneumatic	Steel Offset 10" x 3.5" Pneumatic	Poly Hub 8" x 2.165" Balloon Cushion	Steel Offset 10" x 3" Microcellular
150228	108561	150589	150698	050602	151551	150229	053446

Additional choices not listed above.



SINCE 1948



■ When ordering by part # add option part # to truck part #.

Example: 220332,220351

■ When ordering by model #, add option model # to truck model #.

Example: 410-T14-R3-S3K.



Cobra-Lite Folding Nose for Cast and Extruded Noseplates

Factory Installed **Kit for Field Installation**

■ 20" long ■ 30" long ■ 20" long ■ 30" long

CAST NOSE PRODUCTS

Part #	054223	054225	220346	220343
Model #	F2F	F3F	F2K	F3K

EXTRUDED NOSE PRODUCTS

Part #	054202	054203	220082	220083
Model #	F2EF	F3EF	F2E	E3E



Cobra-Lite Stairglide Options

Deluxe Cast Aluminum Stairglides

Factory Installed **Kit for Field Installation**

■ Pair without wearstrips ■ Pair with wearstrips ■ Pair without wearstrips ■ Pair with wearstrips

Part #	054211	054213	220349	220351
Model #	S2F	S3F	S2K	S3K



Steel w/Wearstrip

*With continuous rolling belt (8" wheel only)



Cast Aluminum

Cobra-Lite Stairclimber Options

Stairclimbing Attachments

Factory Installed **Kit for Field Installation**

■ Steel pair with wearstrips ■ Cast aluminum pair* ■ Steel pair with wearstrips ■ Cast aluminum pair*

Part #	054236	054237	220340	220339
Model #	S4F	S5F	S4K	S5K



Top Extensions for 410 & 450 Models

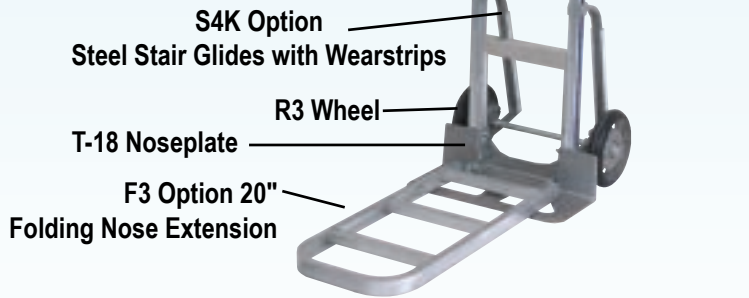
(Special Order: Call factory.)

Installed Height of Extension	Factory Installed				Kit for Field Installation			
	■ 44" high	■ 52" high	■ 60" high	■ 68" high	■ 44" high	■ 52" high	■ 60" high	■ 68" high
Part #	050144	054206	054207	054209	220347	220080	220081	220094
Model #	44UF	52UF	60UF	68UF	44UK	52UK	60UK	68UK

HERE'S HOW TO DESIGN YOUR TRUCK!

- Choose from these Components: Frame, Handle, Noseplate and Wheel.
- Then, choose your Options.
- When ordering by model #, add Option Model # to truck model #.

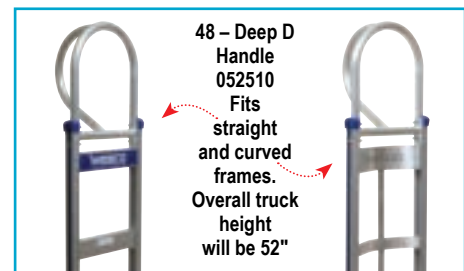
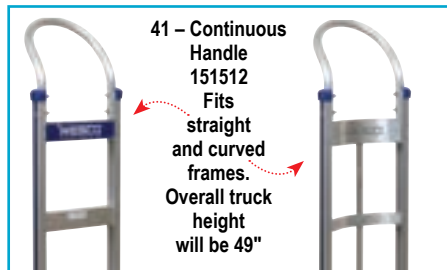
EXAMPLE 41 + 0 + T18 + R3 + F3 + S4K =
410-T18-R3-F3-S4K



1 CHOOSE A FRAME



2 CHOOSE A HANDLE



3 CHOOSE A NOSEPLATE



ALUMINUM
T14 (cast)
14" W x 7.5" D
151521

ALUMINUM
E14 (extruded)
14" W x 7.625" D
220287

ALUMINUM
E18 (extruded)
18" W x 7.625" D
220285

ALUMINUM
T18 (cast)
18" W x 7.5" D
151533

ALUMINUM
E918 (extruded)
18" W x 9" D
220461

ALUMINUM
E16 (extruded)
16" W x 12" D
220286

ALUMINUM
EC16 (extruded)
Recessed Heel 16" W x 12" D
220506
For Curved Frame Only

4 CHOOSE A WHEEL



BC-10
Poly Hub
10" x 2.165"
Balloon Cushion
270274

CF (Flat Free)
Steel Offset Hub
10" x 3"
Microcellular Polyurethane.
Will not go flat
220348

P
Steel Offset Hub
10" x 3.5"
Pneumatic Tire
054045

PE
Steel Offset Hub
10" x 3.5"
Pneumatic Tire
054231

PWT
Steel Offset Hub
10" x 3.625"
Pneumatic
Wide Tread Tire
220319

Z
Steel Offset Hub
10" x 2.75"
Semi-Pneumatic
Tire
054047

Z2
Poly Offset Hub
10" x 2.75"
Solid Rubber Tire
054230

BC-8
Poly Hub
8" x 2.165"
Balloon Cushion
270275

R2
Poly Hub
8" x 1.625"
Moldon Rubber
Tire 054046

R3
Aluminum Offset
Hub
8" x 1.625"
Moldon Rubber Tire
054048

Z8
Poly Offset Hub
8" x 2"
Solid Rubber
Tire
220352

5 CHOOSE AN OPTION

EXTENSION OPTIONS



Top extension for 40R, 40B, 41 and 45 handles
44UK – 44" top extension
220347
52UK – 52" top extension
220080
60UK – 60" top extension
220081
68UK – 68" top extension
220094

(Vinyl coated top extensions available – see price list)



Folding nose extension
20" long
F2 – For Cast Noses
220346
F2E – For Extruded Noses 220082
30" long
F3 – For Cast Noses
220343
F3E – For Extruded Noses 220083

STAIR GLIDE & CLIMBER OPTIONS



S2K:
*Deluxe cast aluminum
stair glides without
wearstrip
220349
S3K: # 220351
with wearstrip



S4K
Steel stair glides
with wearstrips
220340
Field Install Kit
S4F #054236
Factory Install



S5K
Continuous belt
stair climbers
220339
(For 8" wheel only)
Field Install Kit
S5F #054237
Factory Install

STRAP



CS
Center strap option
054062

WESCO® COBRA ALUMINUM CONVERTIBLE TRUCKS

Cobra Jr. and Sr. features:

- 18" wide noseplate for large loads.
- Smooth and easy transition from the 2 to 4 wheeled position.
- Non-marking 5" x 1.25" swivel casters.
- Add B to end of part number for blue coated handle option.

- 8 rivets per cross brace. Welded release pedal.
- Custom advertising side strips available – contact dealer for details.
- 2" wide cross braces for added strength and advertising labels.



Higher Capacity Convertible Trucks - 1,200 lbs. 2 Year Frame Warranty

Cobra Jr.

- 2 Year Frame Warranty.
- Dual hand grips for improved control.
- 3 frame cross braces.
- 12 inch x 38 inch frame bed.



2 Wheel OVERALL DIMENSIONS		4 Wheel OVERALL DIMENSIONS	
w:	22"	w:	46.5"
h:	51.75"	h:	40"
d:	19"	d:	19"

Cobra Sr.

- 2 Year Frame Warranty.
- Continuous handle allows multiple ways to control load.
- 4 frame cross braces.
- 12 inch x 50.75 inch frame bed.



2 Wheel OVERALL DIMENSIONS		4 Wheel OVERALL DIMENSIONS	
w:	22"	w:	55.625"
h:	61.75"	h:	45.5"
d:	19"	d:	19"

	T18 Nose Part# 220293	18"W x 7.5"D 220482	18"W x 7.5"D 220494	18"W x 7.5"D 220486	18"W x 7.5"D 220490	18"W x 7.5"D 220515	18"W x 7.5"D 220292	18"W x 7.5"D 220290	18"W x 7.5"D 220294	18"W x 7.5"D 220296	18"W x 7.5"D 220618
Model#	CBR-JR-T18-PWT	CBR-JR-T18-PE	CBR-JR-T18-Z	CBR-JR-T18-Z2	CBR-JR-T18-CF	CBR-SR-T18-PWT	CBR-SR-T18-PE	CBR-SR-T18-Z	CBR-SR-T18-Z2	CBR-SR-T18-CF	
E18 Nose Part# 220482	18"W x 7.625"D 220482	18"W x 7.625"D 220494	18"W x 7.625"D 220486	18"W x 7.625"D 220490	18"W x 7.625"D 220515	18"W x 7.625"D 220484	18"W x 7.625"D 220496	18"W x 7.625"D 220488	18"W x 7.625"D 220492	18"W x 7.625"D 220516	
Model#	CBR-JR-E18-PWT	CBR-JR-E18-PE	CBR-JR-E18-Z	CBR-JR-E18-Z2	CBR-JR-E18-CF	CBR-SR-E18-PWT	CBR-SR-E18-PE	CBR-SR-E18-Z	CBR-SR-E18-Z2	CBR-SR-E18-CF	
E16 Nose Part# 220483	16"W x 12"D 220483	16"W x 12"D 220495	16"W x 12"D 220487	16"W x 12"D 220491	16"W x 12"D 220666	16"W x 12"D 220485	16"W x 12"D 220497	16"W x 12"D 220489	16"W x 12"D 220493	16"W x 12"D 220667	
Model#	CBR-JR-E16-PWT	CBR-JR-E16-PE	CBR-JR-E16-Z	CBR-JR-E16-Z2	CBR-JR-E16-CF	CBR-SR-E16-PWT	CBR-SR-E16-PE	CBR-SR-E16-Z	CBR-SR-E16-Z2	CBR-SR-E16-CF	
Capacity	2 Wheel 600 lbs	2 Wheel 600 lbs	2 Wheel 600 lbs	2 Wheel 600 lbs	2 Wheel 560 lbs	2 Wheel 600 lbs	2 Wheel 600 lbs	2 Wheel 600 lbs	2 Wheel 600 lbs	2 Wheel 560 lbs	
	4 Wheel 1,200 lbs	4 Wheel 1,200 lbs	4 Wheel 1,200 lbs	4 Wheel 1,200 lbs	4 Wheel 1,160 lbs	4 Wheel 1,200 lbs	4 Wheel 1,200 lbs	4 Wheel 1,200 lbs	4 Wheel 1,200 lbs	4 Wheel 1,160 lbs	
Frame Bed	12" x 38"	12" x 38"	12" x 38"	12" x 38"	12" x 38"	12" x 50.75"	12" x 50.75"	12" x 50.75"	12" x 50.75"	12" x 50.75"	
Wheel	PWT	PE	Z	Z2	CF	PWT	PE	Z	Z2	CF	
Weight	39 lbs	37.5 lbs	43.5 lbs	42.5 lbs	41 lbs	42.5 lbs	41 lbs	47 lbs	46 lbs	41 lbs	

Cobra Platform Deck Option

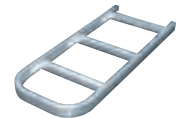
- Platform Deck: Slip resistant diamond pattern surface for both cast and extruded noseplates.



Part #	220289	220288	220514	220318
Model #	JRD	SRD	JRDE	SRDE
For Use With	Jr/Cast Noseplate	Sr/Cast Noseplate	Jr/Extruded Noseplate	Sr/Extruded Noseplate
Length	42"	55"	42"	55"
Weight	8 lbs	10 lbs	7 lbs	9 lbs

Cobra Folding Nose Option

- Coated handle.



Kit for Field Installation

- 20" for T-18 Noseplates
- 20" for E-18 & E-16 Noseplates
- 30" for T-18 Noseplates
- 30" for E-18 & E-16 Noseplates

Part #	220346	220082	220343	220083
Model #	F2	F2E	F3	F3E

Factory Installed

Part #	054223	054202	054225	054203
Model #	F2F	F2EF	F3F	F3EF

Additional choice not listed above.

PWT (Wide Tread) Steel Offset 10" x 3.5" Pneumatic	PE Steel Offset 10" x 3.5" Pneumatic	Z Steel Offset 10" x 2.75" Semi-Pneumatic	Z2 Poly Offset 10" x 2.75" Solid Rubber	CF (Flat Free) Steel Offset 10" x 3" Microcellular	BC-10 Poly Hub 10" x 2.165" Balloon Cushion
151507	151551	150589	150698	053446	150228

WESCO® SPARTAN ECONOMY & SPARTAN III CONVERTIBLE TRUCKS



Spartan Jr.

219998



Spartan Sr.

220001

Spartan Economy Aluminum 2 in 1 Trucks

- Value-priced truck.
- Two sizes - Jr. and Sr.
- Sturdy, lightweight aluminum frame.
- 18" wide x 7.5" deep noseplate for large loads.
- Wheels: PE 10" pneumatic or SR 10" solid rubber.
- Non-marking 5" x 1.25" swivel casters.
- Pedal release allows easy conversion from 2-wheel to 4-wheel position.
- Extra strength noseplate cast from special aluminum alloy.**
- Ships KD and boxed.
- Assembly option available.** Add "-A" to Part # below. Example: 220000-A.

2 Wheel	4 Wheel	4 Wheel
OVERALL DIMENSIONS		
w: 22"	22"	22"
h: 52"	40"	40"
d: 19"	19"	19"

2 Wheel	4 Wheel	4 Wheel
OVERALL DIMENSIONS		
w: 22"	22"	22"
h: 61.5"	45.5"	45.5"
d: 19"	19"	19"



1



2

270391



3

Spartan III

- Value priced truck.
- Aluminum construction.
- Quickly converts into 3 positions:
 - Vertical 2-Wheel**
 - 45° 4-Wheel**
 - Platform Wheel.**
- 18" x 7.5" cast aluminum noseplate.
- 7.5" W x 27" L recessed folding nose extension.
- Handle height 48".
- 10" full pneumatic wheel.
- 5" x 1.25" swivel casters.
- Ships KD/boxed.

* Platform position 60". 45° position 49".

2 Wheel	4 Wheel
OVERALL DIMENSIONS	
w: 21.5"	*
h: 52"	42.25"
d: 19"	19"

Part #	220000	219998	220145	220001	219999	220144	270391
Model #	SPTN-JR-T18-PE	SPTN-JR-T18-SR	SPTN-JR-T18-CF	SPTN-SR-T18-PE	SPTN-SR-T18-SR	SPTN-SR-T18-CF	SPTN-III
Capacity	2 Wheel 500 lbs	4 Wheel 1,000 lbs	4 Wheel 1,000 lbs	2 Wheel 500 lbs	4 Wheel 1,000 lbs	4 Wheel 1,000 lbs	45°/4 Wheel - 500 lbs 500 lbs 2 Wheel - 500 lbs
4 Wheel	1,000 lbs	1,000 lbs	1,000 lbs	1,000 lbs	1,000 lbs	1,000 lbs	4 Wheel - 750 lbs
Description	12" x 38" Bed	12" x 38" Bed	12" x 38" Bed	12" x 51" Bed	12" x 51" Bed	12" x 51" Bed	12" X 51" Bed
Wheel	PE	SR	CF	PE	SR	CF	PE
Caster	5" x 1.25"	5" x 1.25"	5" x 1.25"	5" x 1.25"	5" x 1.25"	5" x 1.25"	5" x 1.25"
Weight	44 lbs	54 lbs	44 lbs	46.3 lbs	58 lbs	48 lbs	45 lbs

Spartan and CobraPRO Options



Platform Deck*



30" Folding Nose



	Spartan Jr. Models	CobraPRO Jr. Models	Spartan Sr. and CobraPRO Sr. Models	Field Install	Factory Install
Part #	220800	220289	220288	220343	054225
Model #	JRSD	JRD	SRD	F3	F3F
Length	42"	42"	55"	30"	30"
Weight	8 lbs	8 lbs	10 lbs	5 lbs	2 lbs

PE Steel Offset 10" x 3.5" Pneumatic	SR Poly Offset 10" x 2.5" Solid Rubber	CF (Flat Free) Steel Offset 10" x 3" Microcellular	PWT Steel Offset 10" x 3.625" Pneumatic	Hub Steel Offset 8" x 2.25" Pneumatic
151551	108479	053446	151507	150146

WESCO® COBRA PRO POWER CONVERTIBLE TRUCKS

Spare Battery Module

Part #220655

- Plugs directly into drive unit.
- No need to attach cables.
- Spare battery module includes 2 batteries and case.
- 25 lbs.

BATTERY POWERED
COBRAPRO

CobraPRO Jr. and Sr. have 950 lb. capacity in 4-wheel mode and 600 lb. capacity in 2-wheel mode on standard 17.5° ramp.



220653



220656 Shown with optional 30" folding nose #220343



CobraPRO Jr.

- 2 Year Frame Warranty.
- Dual hand grips for improved control.
- Variable speed fingertip control. Forward and reverse.
- 3 frame cross braces.
- Battery and charger included.

	2 Wheel	4 Wheel
OVERALL DIMENSIONS		
w:	22"	46.5"
h:	51.75"	40"
d:	19"	19"

CobraPRO Sr.

- 2 Year Frame Warranty.
- Continuous handle allows multiple ways to control load.
- Variable speed fingertip control. Forward and reverse.
- 4 frame cross braces.
- Battery and charger included.

	2 Wheel	4 Wheel
OVERALL DIMENSIONS		
w:	22"	55.625"
h:	61.75"	45.5"
d:	19"	19"

Part #	220653	220656
Model #	PCBR-JR-T18-PWT	PCBR-SR-T18-PWT
Capacity		
2 Wheel	600 lbs	600 lbs
4 Wheel	1,200 lbs	1,200 lbs
Description	12" x 38"	12" x 50.75"
Wheel	10" PWT Pneumatic	10" PWT Pneumatic
Caster	5" x 1.25"	5" x 1.25"
Weight	109 lbs	112.5 lbs

Spartan and CobraPRO Options



■ Platform Deck*

Spartan Jr. Models

CobraPRO Jr. Models

Spartan Sr. and CobraPRO Sr. Models



■ 30" Folding Nose

Field Install

Factory Install

	Spartan Jr. Models	CobraPRO Jr. Models	Spartan Sr. and CobraPRO Sr. Models	Field Install	Factory Install
Part #	220800	220289	220288	220343	054225
Model #	JRSD	JRD	SRD	F3	F3F
Length	42"	42"	55"	30"	30"
Weight	8 lbs	8 lbs	10 lbs	5 lbs	2 lbs

PWT Steel Offset 10" x 3.625" Pneumatic



151507

WESCO® POWER LIFTKAR HD STAIRCLIMBING TRUCKS

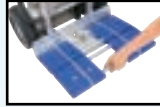
See the **LIFTKAR** video on our website! www.wescomfg.com



HD-UNI
Part #274100 with optional fold-out wheel carriage - #274102 and #274103 snap-on toe plate



Optional 274103 snap-on toe plate with 4 dual swivel casters



HD-UNI
Part #274100 with optional snap-on toe plate - #274103.



HD-FOLD
Part #274101



HD-EXTENDED FOLD
Part #274238

Extended Height HD Complete with fold-out carriage.

Power LiftKar HD: 725 lb. high capacity models

■ Three Models

Uni – straight frame – accepts #274102 fold-out wheel carriage for 4-wheel support.

Fold – upper handle angle can be adjusted. Best for copiers, safes, heavy motors or any short and heavy load which would require the user to pull the load back to a very low position for proper balance. The adjustable angle position on the Fold model allows the user to stand upright when using the truck at a very low angle.

Extended Fold – Same advantages as **Fold** but with an extra 7" in height and fold-out wheel carriage.

- Innovative edge-of-step braking system – automatically applies brake when wheels are at edge of step. Helps prevent loss of load control caused by accidental rolling down steps.
- Brake can be shut off for use on level ground – prevents unwanted braking when moving over ground with an uneven surface.
- Two operating modes: single step (ascend or descend button must be pressed after each step – ideal for maximum control), or continuous climb.
- 24v quick-change battery pack – sealed maintenance-free battery.
- Battery, charger and 137" x 2" cargo belt included.
- 21" W x 7.25" D noseplate. Additional sizes available, contact Wesco Customer Service.
- Two climbing speeds: 6 steps/min. or 10 steps/min.
- Average number of steps with fully charged battery:
 - 440 lbs. of cargo - 220 steps
 - 550 lbs. of cargo - 190 steps
 - 725 lbs. of cargo - 120 steps.
- Maximum stair height 8.25".
- 1 year warranty on parts against defects in materials and workmanship.
- 6 month warranty on battery.

Power LiftKar Options

- **Part # 274103 - Snap-on toe plate** equipped with 4 dual casters. Provides additional cargo space and the ability to move loads without tilting truck. Especially useful in confined areas. 21" W x 14" D.
- **Part # 274102 - Fold-out rear wheel carriage** for Universal model only - slides easily into position to provide 4-wheel support.
- **Part # 274116 - Extra quick-change battery pack.**
- **Part # 274181 - In-transit 12 Volt DC auto charger.**
- **Part # 274185 - Standard 110 Volt battery charger.**



OVERALL DIMENSIONS	
w:	22"
h:	63"
d:	19"

OVERALL DIMENSIONS	
w:	22"
h:	47" - folded / 63" unfolded
d:	19"

OVERALL DIMENSIONS	
w:	22"
h:	53.5" - folded / 70" unfolded
d:	21.3"

Part #	274100	274101	274238
Model	Universal	Fold	Extended Height Fold
Battery	Single	Single	Single
Capacity	725 lbs	725 lbs	725 lbs
Height	63" straight frame	47" folded	70" straight frame
Belt	2 piece with clasp - 137" x 2"	2 piece with clasp - 137" x 2"	2 piece with clasp - 137" x 2"
Weight	96 lbs	97 lbs	105 lbs

4 EASY STEPS TO CONFIGURE YOUR LIFTKAR!

LIFTKAR® SAL

- Dual speed control on all models to fit your application.
- Quick-change battery and charger included.
- Pivoting and fixed handle configurations available to handle a wide variety of cargo.
- Choose from the long list of options to maximize the utility of your Liftkar.
- 240, 300 and 375 lb. capacity models.
- Climbs up to 48 steps per minute.
- All models include charger and battery.
- 1 year warranty on parts against defects in materials and workmanship.
- 6 month warranty on battery.

See the **LIFTKAR** video on our website!
www.wescomfg.com

1 Choose your frame.

SAL-ERGO

The ergo handle is the most popular all-purpose model with 3-handle gripping points providing proper balance for a variety of loads.

(Recommended maximum cargo height - 58".)

(Shown with "G" Toe Plate.)



2 Choose your capacity and tire type.

Base Model - 240 lb capacity
 Base Model - 300 lb capacity
 Base Model - 375 lb capacity

See page 379 for 725 lb capacity HD models.

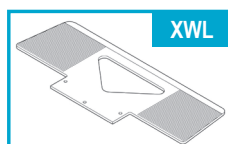
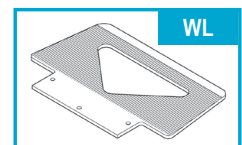
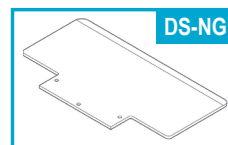
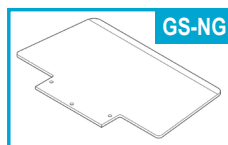
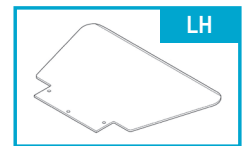
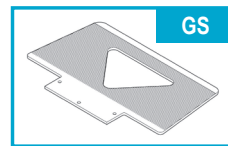
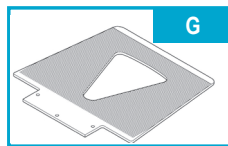
Maximum number of steps with fully charged battery - all models:
 200 - 300 steps - ascending
 400 - 600 steps - descending

	Pneumatic Tire Part Number	Microcellular Tire Part Number	Capacity	Max. Steps per min	W x H	Weight
240 lb Capacity Models - includes battery and charger						
Ergo	274140	274152	240 lbs	48	18.5" x 63"	42.7 lbs
Fold	274141	274153	240 lbs	48	18" x 61" unfolded/ 39.5 folded	42.2 lbs
Uni	274142	274154	240 lbs	48	17.5" x 59"	41.8 lbs
Fold-L	274143	274155	240 lbs	48	19" x 64.5" unfolded/ 51 folded	44.9 lbs
300 lb Capacity Models - includes battery and charger						
Ergo	274144	274156	300 lbs	35	18.5" x 63"	42.7 lbs
Fold	274145	274157	300 lbs	35	18" x 61" unfolded/ 39.5 folded	42.2 lbs
Uni	274146	274158	300 lbs	35	17.5" x 59"	41.8 lbs
Fold-L	274147	274159	300 lbs	35	19" x 64.5" unfolded/ 51 folded	44.9 lbs
375 lb Capacity Models - includes battery and charger						
Ergo	274148	274160	375 lbs	29	18.5" x 63"	42.7 lbs
Fold	274149	274161	375 lbs	29	18" x 61" unfolded/ 39.5 folded	42.2 lbs
Uni	274150	274162	375 lbs	29	17.5" x 59"	41.8 lbs
Fold-L	274151	274163	375 lbs	29	19" x 64.5" unfolded/ 51 folded	44.9 lbs

3 Choose toe plate.

Add Toe Plate Part Number to Base Model Number.

	Toe Plate Part Number	Grooved or Smooth*	W x D	Weight
G	274164	Grooved	16.5" x 13.4"	4.6 lbs
GS	274165	Grooved	18.8" x 9.4"	4.1 lbs
LH	274166	Smooth	18.45" x 10.9"	3.7 lbs
GS-NG	274167	Smooth	18.74" x 9.4"	4.1 lbs
DS-NG	274168	Smooth	17.7" x 7.5"	4.1 lbs
WL	274169	Grooved	14" x 7"	2.2 lbs
XWL	274170	Grooved	23.25" x 7"	3.9 lbs



SAL-UNI

Ideal for tall, easily balanced loads. 2-handle gripping points. (Shown with "G" Toe Plate.)



SAL-FOLD

This model allows user to place handle in optimum position. Ideal for short, heavy loads that require truck to be tilted to an extreme angle for proper balance. (Shown with "G" Toe Plate.)



SAL-FOLD L

Similar to fold but has a longer frame and shorter folding handle. This makes it ideal for loads that require less tilt for proper balance than the Fold provides. (Shown with "G" Toe Plate.)



4 Choose accessories.

	Part Number	Weight
Keg Hook	274174	1.2 lbs
Center Strap w/ extra crossbar - Uni and Ergo only	274175	1.1 lbs
Center Bar provides flat surface - Uni and Ergo only	274176	1.8 lbs
55" x 1" Cargo Strap w/buckle	274177	1.1 lbs
107" x 1" Cargo Strap w/buckle	274178	1.1 lbs
137" x 2" Cargo Strap w/buckle	274199	1.5 lbs
Panel / Window / Door Holder	274179	35.6 lbs
Extension Wings (Uni, Ergo, Fold-L)	274180	3.3 lbs
Cigarette Lighter Charger	274181	0.9 lbs
Battery Retainer	274104	1.0 lbs
Lifting System (Uni, Ergo, Fold-L)	274237	51 lbs
Extra Battery	274116	9.5 lbs

For detailed information on accessories, contact Wesco®.



Part #274174
Keg Hook



Part #274199
2" Strap



Part #274177
or #274178 - 1" Strap



Part #274180
Extension Wings



Part #274237 Lift System in use
Not for use with toe plates WL or XWL.
Capacity: 265 lbs. Lift height: 35.5"



Part #274175
Center Strap



Part #274179 in use
Door/Window Holder



Part #274176
Center Bar

WESCO® STAIRING APPLIANCE TRUCK & OPTIONS



230051



DC-66



StairKing Battery Powered Stair Climbing Appliance Truck

- U.S. Pat. No. 7,137,464
- Welded aluminum construction.
- 1/2 Horsepower; 50 amp, high torque motor runs cooler under load.
- Industrial grade gear box transmits steady power and is preferable to other drive designs.
- Large 2" diameter; polyurethane lifting feet provide more secure stair gripping.
- Auto rewind ratchet works first to take the slack out of the cargo belt, and then provides a ratchet crank to securely tighten the load.
- Noseplate measures 24" by 4" deep. Welded lightweight frame and noseplate.
- 30" from noseplate to center of belt.
- Sealed maintenance-free battery. AC charger and circuit breaker included.
- 6" moldon rubber wheels.

■ Average number of steps with fully charged battery:

LOAD	STEPS
225 lbs	160
450 lbs	135
850 lbs	70

OVERALL DIMENSIONS

w: 24"
h: 66" or 72"
d: 12"

StairKing Battery Powered Stair Climbing Appliance Truck

Cargo Belt Tightening Ratchet

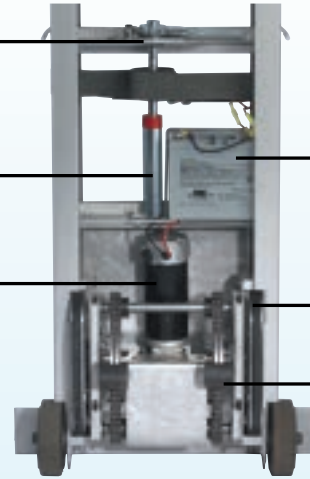
Auto-Rewind Assembly

Heavy Duty Motor and Geared Transmission

Rechargeable Battery

Continuous Tread Stair Climbers

2" Diameter Lifting Rollers on Sprocketed Drive Chains



STAIRING OPTIONS

MSWK Superwheel Option



- Superwheel attachment installs in seconds.
- Equipped with 10" x 4" full pneumatic tires. Provides 4 wheel support and eases transport over rough surfaces.

OVERALL DIMENSIONS

w: 11.5"
h: 4.5"
d: 20.5"

NE-28 Steel Nose Extension Option



- Toe plate extension. Easily clips on to standard toe plate and provides 12" deep x 28" wide cargo surface.

OVERALL DIMENSIONS

w: 28"
h: 4"
d: 12"

SP-20 Platform Option slips onto WLF forks



- Platform attachment. Slides in place over winch lift forks to provide a 20" x 20" lifting platform.

OVERALL DIMENSIONS

w: 20"
h: 7"
d: 20"

Part #	230051	230052
Model	DC-66	DC-72
Capacity	850 lbs	850 lbs
Ratchet	Auto rewind	Auto rewind
Belt	2 piece w/clasp	2 piece w/clasp
Height	66" tall frame	72" tall frame
Weight	101 lbs	102 lbs

Part #	270076	230055	260160
Model #	MSWK	NE-28	SP-20
Capacity	N/A	850 lbs	800 lbs
Description	Superwheel Option	Steel Nose Extension	Steel Slip on Platform
Weight	19 lbs	18 lbs	20 lbs



SINCE 1948

STAIRKING OPTIONS

Accessory Winch Lift for StairKing



WLF Winch Lift Option

- Optional aluminum winch lift attachment has 800 lb capacity.
- 3-1/2" swivel casters for 4 wheel support and mobility.
- Winch equipped with autobraking system.
- 18" forks, adjustable width 8.5" to 19" outside dimension.
- 57.25" lift height.
- Factory or field installation.

OVERALL DIMENSIONS

w: 25"
h: 70"
d: 30"



- Kick-Out 3.5" casters for four wheel stability.



- Charge battery while driving between stops.
- Plugs into cigarette lighter.
- Cable length 20'.
- Standard A.C. charger is included with truck purchase.

Part #	230053	230059	230060
Model #	WLF	KOW	BC
Capacity	800 lbs	850 lbs	N/A
Description	Aluminum Winch Lift Attachment	Kick-out Wheel	Cigarette Lighter Charger
Weight	67 lbs	14 lbs	2 lbs



Economical Aluminum Appliance and Vending Trucks

- **Exclusive Wesco ratchet design.**
- Lightweight aluminum frame with auto rewind ratchet.
- Model AAP-612 has double ratchet design for greater cargo security.
- Model AVT-61 has four wheel swing-out design to support heavy loads and help reduce the strain of balancing the cargo over long distances.
- 6" x 2" moldon rubber wheel, poly hub.
- Noseplate: 24" W x 5" D.

OVERALL DIMENSIONS

	24"	24"	24"
w: 24"	24"	24"	24"
h: 61"	61"	61"	61"
d: 12"	12"	12"	12"

Part #	272410	272411	272412
Model #	AAP-61	AAP-612	AVT-61
Capacity	550 lbs	550 lbs	550 lbs
Ratchet	Auto rewind	Auto rewind	Auto rewind
Belt	2 piece w/clasp	double 2 piece w/clasp	2 piece w/clasp
Wheel	6" x 2"	6" x 2"	6" x 2" (4" x 1" caster)
Weight	40 lbs	43 lbs	50 lbs

HAND TRUCKS

Features:

- **Welded frame and handles for maximum strength.**
- **Non-marking grey vinyl on all contact surfaces securely mounted to truck.**
- **2" wide heavy duty web belt.**



Improved kick-out design allows operator to kick-out wheels with both hands on the truck.



WRV-66



WRC

Wesco Steel Vending Machine Trucks

- Retractable moldon rubber casters (3.5" diameter) help support load.
- Heavy duty 8" cast iron center moldon rubber wheels with roller bearings - #150120.
- Available with "Auto-Rewind" or "Manual" belt tightening systems.
- 28.5" from noseplate to center of belt.
- 60" and 66" frame - 3/4"-14 Ga. steel tube.
- 72" frame - 1"-14 Ga. steel tube.
- Noseplate 24" wide x 5" deep.

OVERALL DIMENSIONS

w: 24"
h: 60" or 66" or 72"
d: 14.5"

Wesco Steel Appliance Trucks

- All joints double welded for maximum durability.
- Rugged tubular steel construction.
- Available with "Auto-Rewind" or "Manual" belt tightening systems.
- Available with 6" x 2" wheels with 5/8" precision ball bearings.
- 26.5" from noseplate to center of belt.
- Noseplate 24" wide x 5" deep.

OVERALL DIMENSIONS

w: 24"
h: 59"
d: 10"

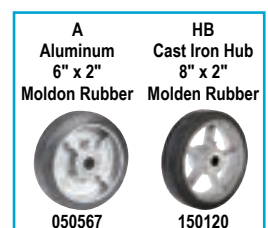
Part #	230035	230017	230036	230018	230037	230019	230010	230028
Model #	WRV-60-EC	WRV-60	WRV-66-EC	WRV-66	WRV-72-EC	WRV-72	WRC	WRC-EC
Capacity	1,200 lbs	1,200 lbs	1,200 lbs	1,200 lbs	1,200 lbs	1,200 lbs	750 lbs	750 lbs
Ratchet	Manual	Auto rewind	Manual	Auto rewind	Manual	Auto rewind	Auto rewind	Manual
Belt	1 piece	2 piece clasp	1 piece	2 piece clasp	1 piece	2 piece clasp	2 piece clasp	1 piece
Wheel	HB	HB	HB	HB	HB	HB	A	A
Height	60"	60"	66"	66"	72"	72"	59"	59"
Weight	80 lbs	80 lbs	86 lbs	86 lbs	95 lbs	95 lbs	52 lbs	52 lbs

Super Wheel

Part #270075 Model # SSWK

- 10" pneumatic rear wheels .
- Quick and easy turnbuckle mounting system.
- Converts a 2 wheel truck into a 4 wheel truck.

Note: Cannot be used on 72" WRV-72 Models.





230074



230076

A Wesco Unique Design - Swivel casters may be deployed for easy steering and 4-wheel support



230020

Heavy Duty Vending Trucks

- **WHEEL LOCK FEATURE STANDARD:** Front wheels have wheel locks to allow truck to be placed in upright position without the danger of the truck rolling away from operator. Wheel lock is activated by a conveniently located lever at top of truck.
- In transport position load rests on (2) 10" poly hub moldon rubber wheels and (2) 5" poly hub moldon rubber front wheels.
- Rear main wheel design allows truck to be tilted back to clear doorways. Especially useful with tall vending machines or other tall cargo.
- Available in 72" and 78" heights.
- 2 webbed cargo belts with ratchet tighteners for maximum load security.
- Constructed of heavy duty 1" diameter steel tubing
- Noseplate - 5" D x 24" W x .25" thick.
- Tilts back at 49° angle.

OVERALL DIMENSIONS

w: 27"	27"
h: " 72"	78"
d: 17"	17"

Heavy Duty Auto-Rewind Appliance Truck with Swivel Casters

- Truck can be used in 2-wheel or 4-wheel mode.
- Dynamic lever activated fulcrum system – fulcrum point changes as truck is tilted to decrease break-over effort.
- Swivel caster carriage kickout for four wheel support, lever release.
- 10" poly hub main wheels, 6" rear swivel casters.
- Available in 72" and 78" heights.
- 2 webbed cargo belts with ratchet tighteners for maximum load security.
- Constructed of heavy duty 1" diameter steel tubing.
- Noseplate - 5" D x 24" W x .25" thick.

OVERALL DIMENSIONS

w: 27"	27"
h: 72"	78"
d: 16"	16"

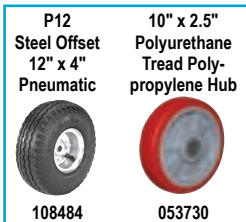
Wesco Steel Vending Truck

- Dual handle control.
- 12" pneumatic wheels for rough terrain - #108484.
- Welded steel frame.
- One piece belt.
- 47" from noseplate to center of belt.
- 55" height.
- Noseplate - 4.94" D x 25" W x .25" thick.

OVERALL DIMENSIONS

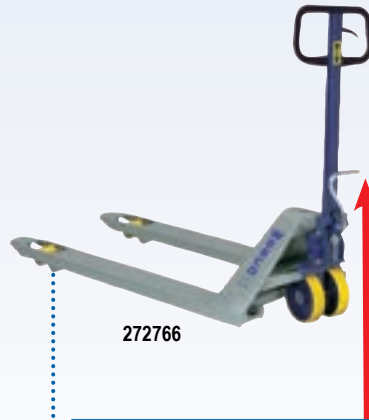
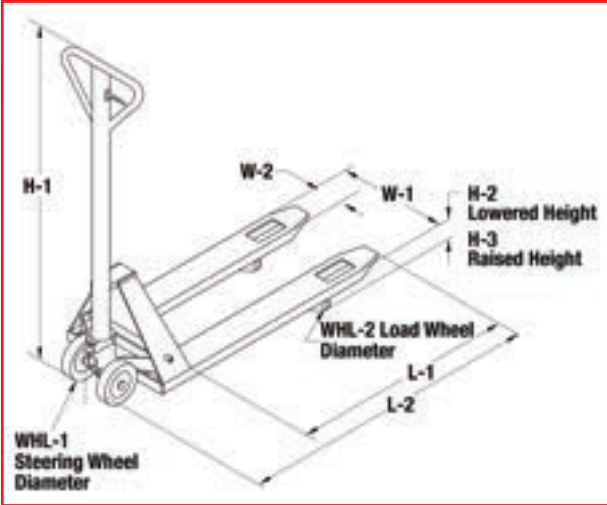
w: 28.5"
h: 55"
d: 20"

Part #	230074	230075	230076	230077	230020
Model #	HDSV-72	HDSV-78	WRV-MAX-72	WRV-MAX-78	L-1
Capacity	1,800 lbs	1,800 lbs	1,800 lbs	1,800 lbs	700 lbs
Ratchet	Auto Rewind	Auto Rewind	Auto rewind	Auto rewind	N/A
Belt	2 piece w/clasp	2 piece w/clasp	2 piece w/clasp	2 piece w/clasp	1 piece clasp
Wheel	10" x 2.5" Poly	10" x 2.5" Poly	10" x 2.5" Poly	10" x 2.5" Poly	P-12
Noseplate	24"W x5"D	24"W x5"D	24"W x5"D	24"W x5"D	25"W x 5.2"D
Weight	126 lbs	129 lbs	120 lbs	130 lbs	62 lbs



HAND TRUCKS

REFERENCE SCHEMATIC FOR PAGES 46 & 47



Lowered height - 2.125"

272765



FOOT PUMP

Foot pedal gives you the option of using the foot pedal to raise the forks when space constraints make it difficult to use the standard handle to raise the load. **NO EXTRA COST**



Deluxe Quick Lift Model

■ **5 year pump warranty.**
US Patent No. 9,102, 346.

- Fastest/quickest lift on the market.
- Just step on the pedal. **No Pumping.** Lifts to 4.5".
- 7" non-marking moldon polyurethane steering wheel.
- 3" non-marking moldon polyurethane load wheels.
- All the same features and dimensions as Standard Deluxe models.
- Normal pump operation when load exceeds 300 lbs.
- 200° steering radius.

Deluxe Lowboy Models

- **5 year pump warranty.**
- **2.125" lowered height.**
- 6" non-marking moldon polyurethane steering wheel.
- 2" steel load wheels.
- 6.25" raised height.
- 6" wide gauge forks.
- 200° steering radius.

Deluxe Foot Pump Model

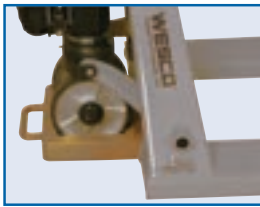
- **5 year pump warranty.**
- 7" non-marking moldon polyurethane steering wheel.
- 3" non-marking moldon polyurethane load wheels.
- All the same features and dimensions as Standard Deluxe Model 272748.
- 6" wide gauge forks.
- 200° steering radius.

Part #	272760	272761	272762	272765	272766	272861
Capacity	5,500 lbs	5,500 lbs	5,500 lbs	5,500 lb	5,500 lbs	5,500 lbs / 300 lb Q.L
W-1 x L-1	21" x 36"	21" x 42"	21" x 48"	27" x 48"	27" x 48"	27" x 48"
W-2	6"	6"	6"	6"	6"	6"
L-2	51"	57"	63"	63"	63"	63"
WHL-1 / WHL-2	6" / 2"	6" / 2"	6" / 2"	6" / 2"	8" / 3"	7" / 3"
H-1 / H-2 / H-3	46.5" / 2.125" / 6.25"	46.5" / 2.125" / 6.25"	46.5" / 2.125" / 6.25"	46.5" / 2.125" / 6.25"	48" / 3" / 8"	48" / 3" / 8"
Weight	134 lbs	143 lbs	148 lbs	157 lbs	170 lbs	166 lbs

DELUXE PALLET TRUCK FEATURES:

- 5 Year Pump Warranty
- 5,500 LB Capacity
- Pump Overload Bypass
- Rubber coated handle
- Adjustable fork tie rods.
- Exit rollers
- 200° steering
- Tapered fork tips.
- 8 gauge 6" wide reinforced forks
- Non-marking

Pallet Truck Chock: High Visibility Yellow



FOR MORE PALLET TRUCK OPTIONS (Chocks and Guards) see page 58.



272748

Deluxe Standard Models

- 5 year pump warranty.
- 8" non-marking moldon polyurethane steering wheel.
- 3" non-marking moldon polyurethane load wheels.
- 8" raised height.
- 3" lowered height.
- 6" wide forks.
- 200° steering radius.



ADJUSTABLE FORK WIDTHS: Two sizes of width, 16" - 20" and 21" - 27". Just loosen and reset front and rear adjusting bolts. A Wesco exclusive. One truck to do the work of two!



27" Fork Width Setting

272744



21" Fork Width Setting

Deluxe Adjustable Fork Model

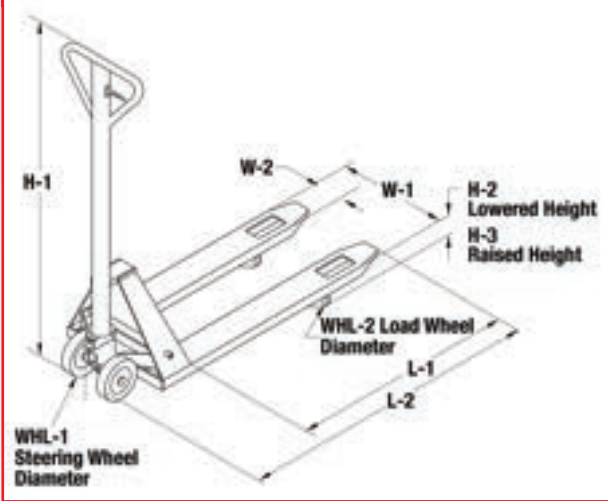
- 5 year pump warranty.
- US Patent No. 6,808,357.
- Available in 16" or 21" widths.
- 7" non-marking moldon polyurethane steering wheel.
- 3" non-marking moldon polyurethane load wheels.
- 7.75" raised height; 3" lowered height.
- 6" wide gauge forks.
- 200° steering radius.

Part #	272136	272142	272148	272736	272742	272748	272744	272747	272746
Capacity	5,500 lbs	5,500 lbs	5,500 lbs	5,500 lbs	5,500 lbs	5,500 lbs	5,500 lbs	5,500 lbs	5,500 lbs.
W-1 x L-1	21" x 36"	21" x 42"	21" x 48"	27" x 36"	27" x 42"	27" x 48"	21" - 27" x 48"	16" - 20" x 36"	16" - 20" x 48"
W-2	6"	6"	6"	6"	6"	6"	6"	6"	6"
L-2	51"	57"	63"	51"	57"	63"	61"	49"	61"
WHL-1 / WHL-2	8" / 3"	8" / 3"	8" / 3"	8" / 3"	8" / 3"	8" / 3"	7" / 3"	7" / 3"	7" / 3"
H-1 / H-2 / H-3	48" / 3" / 8"	48" / 3" / 8"	48" / 3" / 8"	48" / 3" / 8"	48" / 3" / 8"	48" / 3" / 8"	47" / 3" / 7.75"	47" / 3" / 7.75"	47" / 3" / 7.75"
Weight	143 lbs	152 lbs	157 lbs	151 lbs	161 lbs	166 lbs	180 lbs	147.5 lbs	157 lbs

SEE PAGE 46 FOR SCHEMATIC DRAWING.

WESCO[®] ADVANTAGE[™], ADVANTAGE[™] PRO PALLET TRUCKS

REFERENCE SCHEMATIC FOR PAGES 48 & 49



Pallet Truck Chock:
High Visibility Yellow



FOR MORE PALLET TRUCK OPTIONS (Chocks and Guards) see page 58.

WESCO[®] ADVANTAGE[™]



WESCO[®] ADVANTAGE[™] PRO



ADVANTAGE[™] Pallet Trucks

- **3 year pump warranty.**
- Leak proof hydraulics
- Quick Lift pump only 12 strokes to full lift
- 190 degree turning for maneuverability.
- 3 position hand control - Raise, Lower, Neutral
- Durable epoxy powder coat finish
- Fully welded joints and reinforced fork tips
- Exceptionally strong and light weight at 120lbs

ADVANTAGE[™] PRO Pallet Trucks

- **3 year pump warranty.**
- Advanced leak proof pump design
- Full capacity 5500 and 6500 pound models available
- 12 grease fittings and an adjustable packing nut for extended life
- Reinforced A-Frame design
- 210 degree steering provides improved maneuverability in tight spots
- Premium rubber coated handles for secure and comfortable grip
- High quality 3-position hand control combined with a standard foot pedal release for load control
- Precise valving provides variable lowering speed
- Standard entry and exit rollers for smooth effortless operation
- 12 lubrication grease nipples on all movable parts for easy maintenance

Part #	274705	274706	272149	274708	274709	274710	274711
Capacity	1,100 lbs	4,400 lbs	4,400 lbs	5,500 lbs	5,500 lbs	6,600 lbs	6,600 lbs
W-1 x L-1	15" x 31.5"	21" x 48"	27" x 48"	21" x 48"	27" x 48"	21" x 48"	27" x 48"
W-2	6.3"	6"	6"	6"	6"	6"	6"
L-2	44.5"	60"	63"	63"	63"	63"	63"
WHL-1 / WHL-2	5" / 2.25"	6" / 3"	6" / 3"	8" / 3"	8" / 3"	8" / 3"	8" / 3"
H-1/H-2/H-3	44.5" / 2.5" / 6"	46.5" / 2.9" / 7.5"	46.5" / 2.9" / 7.5"	48" / 3.3" / 8"	48" / 3.3" / 8"	48" / 3.3" / 8"	48" / 3.3" / 8"
Weight	78 lbs	117 lbs	136 lbs	133 lbs	142 lbs	157 lbs	166 lbs

NEW!

ADVANTAGE PALLET TRUCK FEATURES:

Introducing Wesco's ADVANTAGE™ Line of Pallet Trucks

- Entire Advantage™ line is backed by a 3 year warranty.
- The Advantage offers the best choice for the “value” user, offering full pallet truck features at an economical price.
- The AdvantagePro is our high quality, heavy duty design for the professional user.
- AdvantagePro-Max trucks are the ultimate tool when faced with overcapacity load situations or when you need that extra heavy duty construction to last a lifetime.



WESCO®
ADVANTAGE™
PRO-MAX



**ADVANTAGE™ PRO-MAX
Pallet Trucks**

- 3 year pump warranty.
- Two stage pump doubles the lifting speed for loads under 1200 pounds. Shifts automatically to handle heavier loads.
- Impact free lifting ensures safety of cargo loading.
- Integral overload protection included in the pump hydraulic circuit
- Structural extreme service design guarantees safety and durability
- Frame constructed using high strength steel plate for light weight and strength.

**ADVANTAGE™ PRO-MAX
All-Terrain Pallet Truck**

- 3 year pump warranty.
- Large, easy-rolling pneumatic wheels allows for easy movement over rugged terrain - indoor our outdoor
- Easy-to-operate 3-position pump handle features up, down and neutral positions
- Pneumatic wheels have sealed bearings for dust protection and outdoor durability

**ADVANTAGE™ PRO-MAX
Scale Pallet Truck**

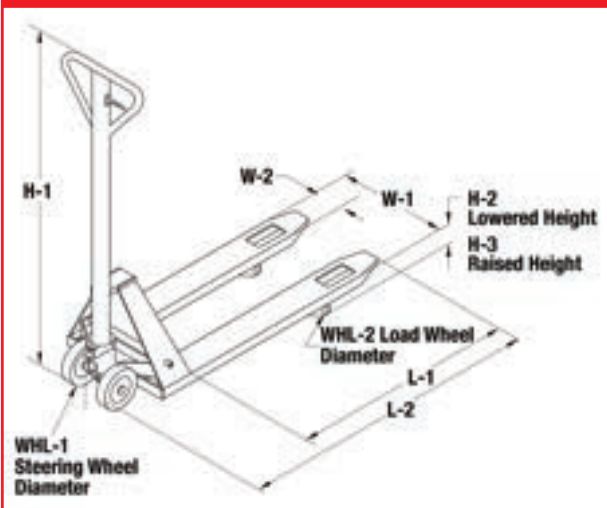
- 3 year pump warranty.
- Large and bright LED display
- Keypad with automatic tare function
- Power supply with rechargeable battery or with 86~264V AC input

Part #	274714	274715	274718	274720
Capacity	7,700 lbs	11,000 lbs	3,300 lbs	4,400 lbs
W-1 x L-1	27" x 48	27" x 48"	63.25" OR 9"-29" X 32"	27" X 45"
W-2	6"	6"	4"	6"
L-2	63"	64"	51"	62"
WHL-1 / WHL-2	7" / 3"	7" / 3"	10" / 15"	6" / 3"
H-1/H-2/H-3	48" / 2.9" / 7.5"	49" / 3" / 7.5"	51" / 2.75" / 9.5"	47 / 3.3 / 7
Weight	221 lbs	243 lbs	424 lbs	314 lbs

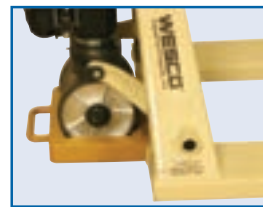
SEE PAGE 48 FOR SCHEMATIC DRAWING.

PALLET TRUCKS

REFERENCE SCHEMATIC FOR PAGES 50 & 51



Pallet Truck Chock:
High
Visibility
Yellow



FOR MORE PALLET TRUCK OPTIONS
(Chocks and Guards) see page 58.



272660

**Narrow Aisle
18" Wide Forks
#272854**

CPI Pallet Truck

- **2 year pump warranty.**
- **4 mm thick forks.**
- Adjustable fork connecting rods.
- Overload bypass.
- Rubber coated handle.
- 7" moldon polyurethane steering wheels.
- 3" moldon polyurethane load wheels.
- Entry and Exit Rollers.
- 6.25" wide forks.
- 210° steering radius.
- **NEW 18" wide fork model #272854.**



273448

CP3 Pallet Truck

- **2 year pump warranty.**
- **3 mm thick forks.**
- Adjustable fork connecting rods.
- Overload bypass.
- Rubber coated handle.
- 7" moldon polyurethane steering wheels.
- 3" moldon polyurethane load wheels.
- Entry and Exit Rollers.
- 210° steering radius.

Part #	272854	272655	272656	272657	272658	272659	272660	273453	273454	273448
Capacity	5,500 lbs	5,500 lbs	5,500 lbs	5,500 lbs	5,500 lbs	5,500 lbs	5,500 lbs	5,500 lbs	5,500 lbs	5,500 lbs
W-1 x L-1	18" x 48"	21" x 36"	21" x 42"	21" x 48"	27" x 36"	27" x 42"	27" x 48"	21" x 36"	21" x 48"	27" x 48"
W-2	6.25"	6.25"	6.25"	6.25"	6.25"	6.25"	6.25"	6.25"	6.25"	6.25"
L-2	63"	51"	57"	63"	51"	57"	63"	51"	63"	63"
WHL-1 / WHL-2	7" / 3"	7" / 3"	7" / 3"	7" / 3"	7" / 3"	7" / 3"	7" / 3"	7" / 3"	7" / 3"	7" / 3"
H-1 / H-2 / H-3	48.25" / 29" / 17.25"	48.25" / 29" / 17.25"	48.25" / 29" / 17.25"	48.25" / 29" / 17.25"	48.25" / 29" / 17.25"	48.25" / 29" / 17.25"	48.25" / 29" / 17.25"	48.25" / 29" / 17.25"	48.25" / 29" / 17.25"	48.25" / 29" / 17.25"
Weight	171 lbs	153 lbs	161.5 lbs	169.5 lbs	162 lbs	171 lbs	180 lbs	139 lbs	152.5 lbs	164.5 lbs

CP PALLET TRUCK FEATURES:

- 2 Year Pump Warranty
- 5,500 / 6,600 / 4,400 LB Capacities
- Rubber coated handle
- Adjustable fork tie rods
- Entry/exit rollers

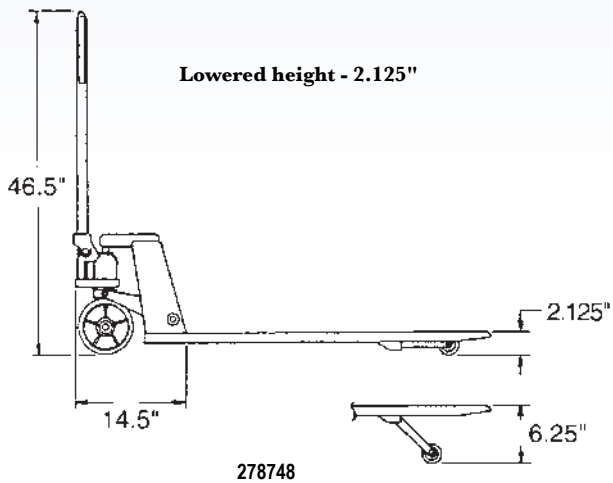


272778
CPII Pallet Truck

- **2 year pump warranty.**
- 2 Models - polyurethane or nylon wheels.
- Adjustable fork connecting rods.
- Entry/exit rollers.
- Overload bypass.
- Reinforced forks - 11 Gauge.
- Rubber coated handle.
- Raised height: 8". Lowered height: 3".
- 7" wide forks.
- 8" moldon polyurethane or 8" nylon steering wheels.
- 3" moldon polyurethane or nylon load wheels.
- 180° steering radius.

272670
CPIIHD Pallet Truck

- **2 year pump warranty.**
- High capacity rating.
- Adjustable fork connecting rods.
- Entry/exit rollers.
- Overload bypass.
- Reinforced forks - 4mm thick.
- Rubber coated handle.
- 7" wide forks.
- 8" moldon polyurethane steering wheels.
- 3" moldon polyurethane load wheels.
- 180° steering radius.



278748
CPII Lowboy Pallet Truck

- **2 year pump warranty.**
- Many features are the same as CPII.
- Lowered height of 2.125".
- 7" wide 4mm thick forks.
- 7" moldon polyurethane steering wheels.
- 2" steel load wheels.
- 180° steering radius.

Polyurethane Wheels Nylon Wheels

Part #	272777	272778	272775	272776	272670	278136	278142	278148	278748
Capacity	5,500 lbs	5,500 lbs	5,500 lbs	5,500 lbs	6,600 lbs	4,400 lbs	4,400 lbs	4,400 lbs	4,400 lbs
W-1 x L-1	21" x 48"	27" x 48"	21" x 48"	27" x 48"	27" x 48"	21" x 36"	21" x 42"	21" x 48"	27" x 48"
W-2	7"	7"	7"	7"	7"	7"	7"	7"	7"
L-2	63"	63"	63"	63"	63"	51"	57"	63"	63"
WHL-1 / WHL-2	8" / 3"	8" / 3"	8" / 3"	8" / 3"	8" / 3"	7" / 2"	7" / 2"	7" / 2"	7" / 2"
H-1/H-2/H-3	48" / 3" / 8"	48" / 3" / 8"	48" / 3" / 8"	48" / 3" / 8"	48" / 3" / 8"	46.5" / 2.125" / 6.25"	46.5" / 2.125" / 6.25"	46.5" / 2.125" / 6.25"	46.5" / 2.125" / 6.25"
Weight	170 lbs	176 lbs	159.5 lbs	169 lbs	220 lbs	226 lbs	235 lbs	240 lbs	249 lbs

LOOK

SEE PAGE 50 FOR SCHEMATIC DRAWING.

P A L L E T T R U C K S

WESCO®
ADVANTAGE™
POWER



274702



274700

**ADVANTAGE™ Power
Semi-Electric
Pallet Trucks**

- 3 year pump warranty.
- 24 Volt lithium battery, 20AH capacity
- Tight turning radius for maneuverability
- Permanent magnet brushless motor
- Stepless controls for accurate speed control
- Separate charger: Part# 274700 & 274701
Built-in charger: Part# 274702
- **Part# 274702** provides extra power for high volume use, heavy duty drive, constant speed loaded or unloaded and rotating balancewheels for improved stability

WESCO®
ADVANTAGE™
PRO-POWER



274703



273922



273923

ADVANTAGE™ PRO-Power Fully Electric Pallet Trucks

- 3 year pump warranty.
- Speed: 2.6 / 2.8 mph loaded/unloaded
- Tight turning radius for maneuverability
- **Part# 274703:** 24 Volt lithium battery 30AH capacity
- **Part# 273922 & 273923:** 48 Volt lithium battery 20AH capacity
- 3 hour recharge quick change battery
- Protected battery compartment
- Permanent magnet high efficiency brushless motor
- Stepless controls for accurate speed control
- Battery meter with charge indicator light on handle

Part#	274700	274701	274702	274703	273922	273923
Capacity	3,300 lbs	3,300 lbs	3,300 lbs	3,300 lbs	2,640 lbs	3,300 lbs
W-1 x L-1	27" x 48"	21" x 45"	27" x 48"	27" x 48"	27" x 48"	27" x 48"
W-2	6"	6"	6"	6"	6"	6"
L-2	67.5"	65"	67.5"	65"	67"	67"
WHL-1 / WHL-2	8" / 3"	8" / 3"	8" / 3"	8" / 3"	10" / 3"	10" / 3"
H-1 / H-2 / H-3	49.5" / 33" / 7.5"	49.5" / 33" / 7.5"	49.5" / 33" / 7.5"	47.25" / 3" / 7.5"	47.25" / 3" / 7.5"	47.25" / 3" / 7.5"
Weight	397 lbs	408 lbs	441 lbs	252 lbs	309 lbs	320 lbs

NEW!

ADVANTAGE PALLET TRUCK FEATURES:

Introducing Wesco's ADVANTAGE™ Line of Power Pallet Trucks

- Entire Advantage™ line is backed by a 3 year warranty.
- The Advantage Power semi-electric heavy-duty pallet trucks feature a compact design.
- AdvantagePro-Power trucks with quick charge batteries provide unmatched flexibility and highest productivity in the toughest and most demanding job sites.
- The Advantage Pro-Max Power for the ultimate in heavy duty loads and severe service that won't let you down.

WESCO®
ADVANTAGE™
PRO-MAX POWER

LITHIUM BATTERY

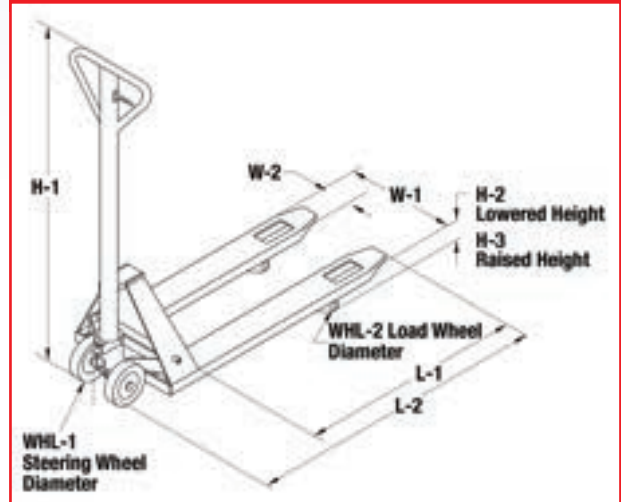


274723



274724

REFERENCE SCHEMATIC FOR PAGES 52 & 53

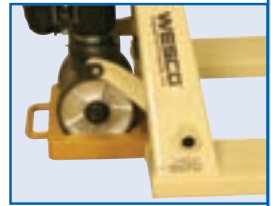


ADVANTAGE™ PRO-MAX Heavy Duty Power Pallet Truck

- 3 year pump warranty.
- 4,000 or 4,400 lb capacity
- 24 Volt battery with 105AH capacity
- High travel speed: 3.3 / 3.6 mph loaded/unloaded
- Compact design with 53" turning radius
- Controls operate with handle raised for tight spaces
- DC permanent magnet brushless motor
- Stepless controls for accurate speed control
- Battery meter with charge indicator light on handle

Part #	274723	274724
Capacity	4,400 lbs	4,000 lbs
W-1 x L-1	27" x 48"	27" x 45"
W-2	6"	6"
L-2	63"	65"
WHL-1 / WHL-2	8" / 3"	10" / 3"
H-1/H-2/H-3	51.5" / 3.3" / 7.5"	48.5" / 3.3" / 8"
Weight	552 lbs	1,180 lbs

**Pallet Truck
Chock:
High
Visibility
Yellow**



**FOR MORE PALLET TRUCK OPTIONS
(Chocks and Guards) see page 58.**



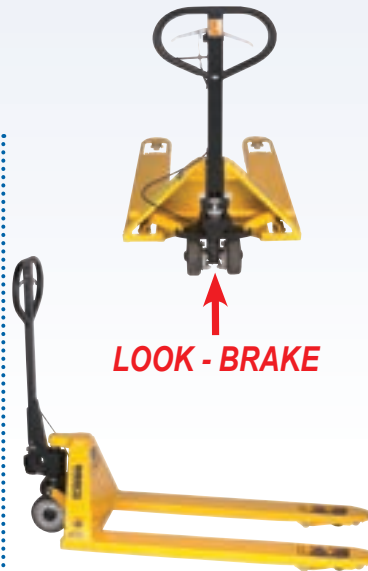
272936

NOT FOR LEGAL TRADE



Scale Truck

- **NOT FOR LEGAL TRADE.**
- **2 year pump warranty.**
- Weighing accuracy ±4.4 lbs., or 2.0 Kg.
- LED display scale.
- Mettler-Toledo Hawk scale/sensor.
- UL approved scale operates on rechargeable battery. May be plugged into AC and used while recharging.
- Replacement Battery Pack #272849.
- Self-contained battery charger.
- Three position hand control.
- 205° steering radius.
- 7" wide forks.
- 7" moldon polyurethane steering wheels.
- 3" moldon polyurethane load wheels.



272667

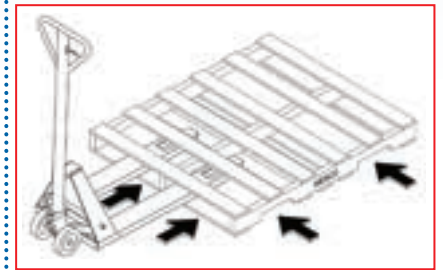
LOOK - BRAKE

Pallet Truck With Hand Brake

- **2 year pump warranty.**
- All the same features as the CPI model.
- 6" wide forks.
- 7" moldon rubber steering wheels.
- 3" moldon polyurethane load wheels.
- Disc brake.
- Tandem load wheels.
- Nylon entry rollers.
- 210° steering radius.



273400

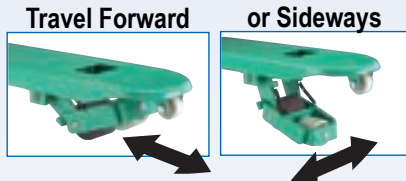


4-Way Pallet Truck

- **3 year pump warranty.**
- Overload bypass.
- Reinforced forks - 4mm thick.
- Rubber coated handle.
- 180° steering radius.
- Can enter pallet from all 4 sides.
- Adjustable fork connecting rods.
- Steel 1.70" load wheels.
- 6" polyurethane steering wheels.

Part #	272936	272938	272667	273400
Model #	SPT27	SPT22		
Capacity	5,000 lbs	5,000 lbs	5,500 lbs	4,000 lbs
W-1 x L-1	27.5" x 47.5"	22.5" x 47.5"	27" x 48"	33" x 48"
W-2	7"	7"	6"	7"
L-2	62.5"	62.5"	63"	63.5"
WHL-1 / WHL-2	7" / 3"	7" / 3"	7" / 3"	6" / 1.70"
H-1 / H-2 / H-3	48.25" / 2.9" / 8"	48.25" / 2.9" / 8"	48.25" / 2.9" / 7.25"	47" / 1.75" / 6"
Weight	336 lbs	314 lbs	206 lbs	241 lbs

UNIQUE DESIGN TRANS-ROLLER TRUCKS MOVE FORWARD OR SIDWAYS



Unique side rolling pallet truck



272740

TransRoller Pallet Truck

- 3 year pump warranty.
- Lowered height 3.4".
Raised height 8.5".
- Fork height in standard mode 3.4" lowered, 7" raised.
- Fork height for lateral movement 7.25" lowered, 8.5" raised.
- Adjustable fork connecting rods.
- Overload bypass.
- Ergonomic rubber coated handle.
- Nylon entry rollers.
- 7" wide forks.
- 8" moldon polyurethane steering wheels.
- 3" moldon polyurethane load wheels.
- 210° steering radius.



272701

Long Fork Pallet Truck

- 2 year pump warranty.
- Pump, load wheels and steering wheels same as CPI model.
- Overload bypass.
- Rubber coated handle.
- 7" moldon polyurethane steering wheels.
- 3" moldon polyurethane load wheels.
- 78" and 98" forks handle 2 standard size pallets.
- Nylon entry rollers.
- 210° steering radius.



272855

Galvanized Truck

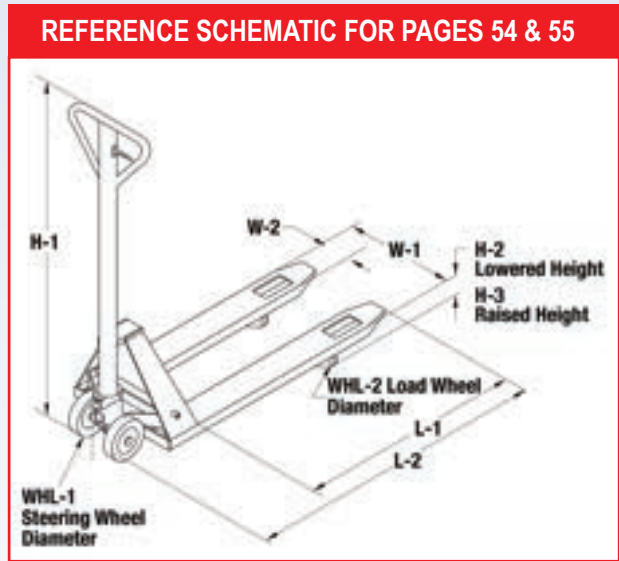
- 1 year pump warranty.
- 7" nylon steering wheels.
- 3" nylon load wheels.
- Galvanized frame and handle.
- Nylon entry rollers.
- 210° steering radius.
- Comfort-grip coated handle.



272152

Stainless Steel Pallet Truck

- 1 year pump warranty.
- For use in food industry and areas where corrosive solutions are needed.
- 6 1/4" wide forks.
- 7" nylon steering wheels.
- 3" nylon load wheels.
- Nylon entry rollers.
- 210° steering radius.
- Comfort-grip coated handle.



Part #	272740	273585	272701	273519	273586	272855	272152
Model #		PT59	PT70	PT78	PT98	GPT	SSPT
Capacity	Standard - 5,000 lbs/ Lateral 2,200 lbs	4,400 lbs	4,400 lbs	4,400 lbs	3,300 lbs	5,500 lbs	5,500 lbs
W-1 x L-1	27" x 48"	27" x 59"	27" x 70"	27" x 78"	27" x 98"	27" x 48"	27" x 48"
W-2	7"	6"	6"	6"	6"	6.25"	6.25"
L-2	63"	75"	86"	93"	114"	62.5"	62.5"
WHL-1 / WHL-2	8" / 3"	7" / 3"	7" / 3"	7" / 3"	7" / 3"	7" / 3"	7" / 3"
H-1/H-2/H-3	Std. mode - 48" / 3.4" / 7" Lateral mode - 48" / 3.4" / 8.5"	48" / 3" / 7"	49" / 3" / 8"	49" / 3" / 8"	48" / 3" / 7"	47.5" / 3" / 7.25"	47.5" / 3" / 7.25"
Weight	210 lbs	220 lbs	244 lbs	256 lbs	347 lbs	155 lbs	164 lbs

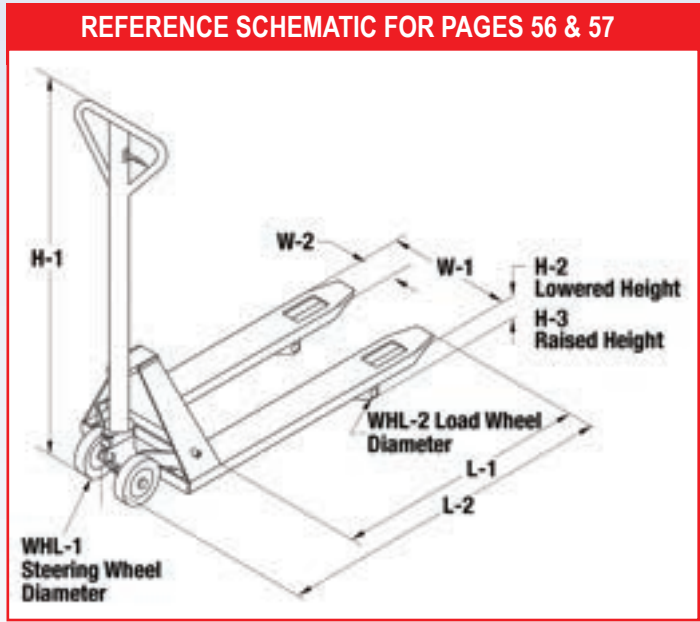


272950



Ergonomic Pallet Tilter

- 1 year pump warranty.
- 5" polyurethane swivel casters and 3" polyurethane load wheels.
- Handle height: 44 1/4".
- Load center: min 7 1/2", max. 15 1/2".
- Lifting range with forks in horizontal position: 3 1/4" to 11".
- Forks tilt up to 90° for accurate load positioning.
- Lifting range with back rest in horizontal position: 29" to 37".
- 6 1/2" wide forks.



273250

Drum Pallet Truck

- 1 year pump warranty.
- For 55-gallon steel drums.
- Lifts drum 4" off ground.
- 8" x 2" nylon steering wheels.
- 3" x 1" nylon load wheels.
- Drum ring raised height - 14.5"
- Drum ring lowered height - 10.25"



272153

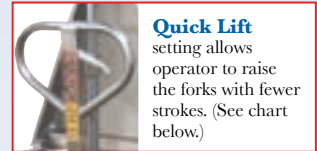
Pallet Lifter

- 1 year pump warranty.
- Heavy duty steel construction.
- Pallets with bottom boards must be placed on top of forks.
- 6 1/2" wide forks.
- 6" polyurethane swivel casters.
- 2" polyurethane load wheels.

Part #	272950	273250	272153
Model #	ERPT	PTDL	PLFTR
Capacity	2,200 lbs	660 lbs	1,100 lbs
W-1 x L-1	21.5" x 31"	28.5" x 26"	27" x 44"
W-2	6.5"	2.5"	6.5"
L-2	51.67"	41"	61.5"
WHL-1 / WHL-2	5" / 3"	8" / 3"	6" / 2"
H-1/H-2/H-3	44.25" / 3.25" / 11"	47.75" / 3" / 8"	40" / 3.5" / 35"
Weight	392 lbs	115 lbs	258 lbs

Manual High Lifts

- 1 year pump warranty.
- Two models: Telescoping and Non-Telescoping.
- Moldon polyurethane wheels.
- Loop handles with inside hand control.
- Closed pallets must be placed on top of forks.
- 180° steering radius.
- Comfort coated handles.
- Two stage pump with Quick Lift.



Quick Lift setting allows operator to raise the forks with fewer strokes. (See chart below.)

Stainless Steel Manual High Lift #272859

- 1 year pump warranty.
- 3" nylon load (WHL-2) and 8" nylon steering (WHL-1) wheels.
- 180° steering radius.
- 304 stainless steel construction, except for 316 stainless forks.



Stainless Model Available

272859
Stainless Steel Manual High Lift

304 Stainless Steel

Part #	272859	272755	272754	272462	272463	272975	272976
Model #	SSTHL27M	TSHL21	TSHL27	NTSHL21	NTSHL27	TSHL20-33	TSHL27-33
Capacity	2,200 lbs	2,200 lbs	2,200 lbs	2,200 lbs	2,200 lbs	3,300 lbs	3,300 lbs
W-1 x L-1	27" x 46"	21" x 44.5"	27" x 44.5"	21" x 44.5"	27" x 44.5"	20" x 43"	27" x 43"
W-2	6.5"	6.5"	6.5"	6.5"	6.5"	6.5"	6.5"
L-2	61"	63"	63"	56"	56"	63"	63"
WHL-1 / WHL-2	8" / 3"	6" / 3"	6" / 3"	6" / 3"	6" / 3"	6" / 3"	6" / 3"
H-1/H-2/H-3	48"/3.3"/31.5"	48.5"/3.6"/31.5"	48.5"/3.3"/31.5"	48.5"/3.3"/31.5"	48.5"/3.6"/31.5"	48.5"/3.6"/31.5"	48.5"/3.6"/31.5"
Telescoping	Yes	Yes	Yes	No	No	Yes	Yes
Weight	278 lbs	219 lbs	228 lbs	275 lbs	300 lbs	260 lbs	276 lbs
# OF PUMP STROKES TO REACH FULL HEIGHT							
Quick Lift	28	28	28	28	28	21	21
Standard	69	67	67	35	35	63	63

Electric High Lifts

- 1 year pump warranty.
- Two models: Telescoping and Non-Telescoping.
- 12 volt battery charger included.
- 10-12 second lift time unloaded.
- Overload bypass.
- Polyurethane wheels.
- 180° steering radius.
- Comfort coated handles.
- 6 1/2" wide forks.
- 6" moldon polyurethane steering wheels.
- 3" moldon polyurethane load wheels.



272937
Telescoping Models -
charger separate.



272461
Non-Telescoping Models -
charger built in.

Stainless Steel Electric High Lift #272860

- 1 year pump warranty.
- 3" nylon load (WHL-2) and 8" nylon steering (WHL-1) wheels.
- 180° steering radius.
- 304 stainless steel construction, except for 316 stainless forks.



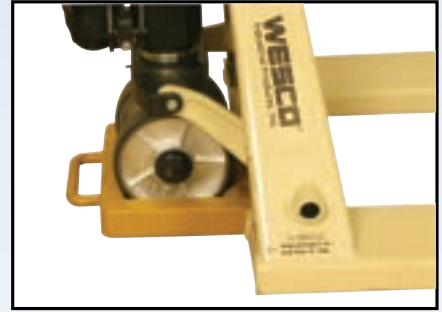
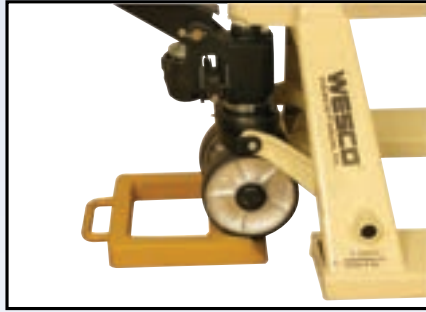
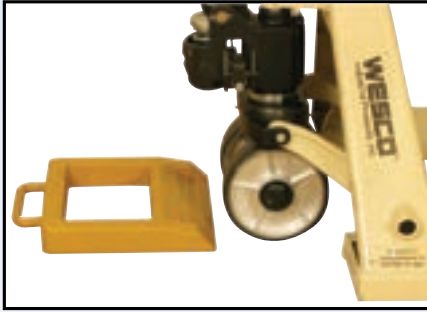
272860
Stainless Steel Electric High Lift



304 Stainless Steel

Part #	272860	272939	272937	272460	272461
Model #	SSTHL27E	TEHL21	TEHL27	NTEHL21	NTEHL27
Capacity	2,200 lbs	3,000 lbs	3,000 lbs	2,200 lbs	2,200 lbs
W-1 x L-1	27" x 46"	21" x 45"	27" x 45"	21" x 45"	27" x 45"
W-2	6.5"	6.5"	6.5"	6.5"	6.5"
L-2	61"	60"	60"	60"	63"
WHL-1 / WHL-2	8" / 3"	6" / 3"	6" / 3"	6" / 3"	6" / 3"
H-1/H-2/H-3	48"/3.3"/31.5"	48.5"/3.3"/31"	48.5"/3.3"/31"	48.5"/3.3"/31"	48.5"/3.3"/31"
Telescoping	Yes	Yes	Yes	No	No
Weight	329 lbs	344 lbs	347 lbs	367 lbs	372 lbs

EASY AS 1-2-3-GO!



Two Models to Secure Your Pallet Jack

- Both models function well on any surface and will resist slipping.
- To secure pallet jack, simply roll steering wheels up the pallet jack stop or chock incline and into holding area.

Pallet Jack Stop

- Material: black hard rubber.

Part # 272949

Weight 3.5 lbs

OVERALL DIMENSIONS

w: 11.75"
h: 2"
d: 14"



Pallet Truck Chock - High Visibility Yellow

- Material: yellow hard rubber.

Part # 272175

Weight 3.4 lbs

OVERALL DIMENSIONS

w: 11.75"
h: 2"
d: 14"



3 in 1 Guard Adapter

- Fits only specific Wesco 27" W pallet trucks: long fork, with brake, CPI and CP3 models.
- Easily attaches to Wesco CPI pallet truck.
- Factory or field installed.
- #272660 CPI Pallet Truck with Mounted Guard - Part #272654 - 245 lbs.
- Guard only kit, field install. Part #272004 - 54 lbs.



Milk Crate Guard



Box Guard

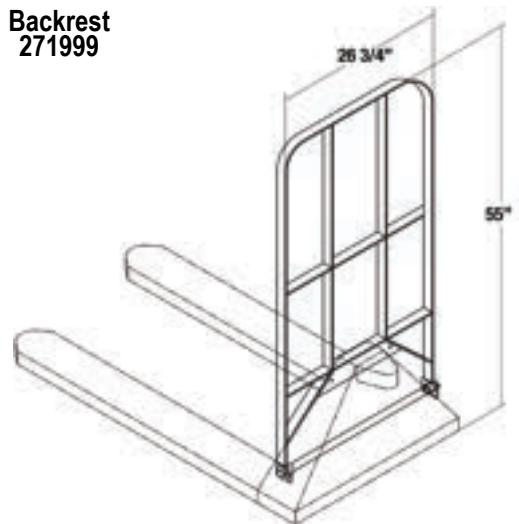


Skid Adapter

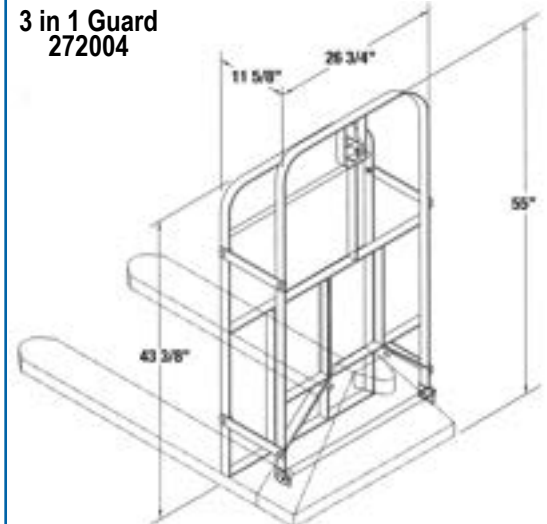
3 in 1 Guard featured as an option is three products in one compact design. You no longer need to purchase separate milk crate guards, box guards or skid adapters. Wesco's 3 in 1 guard does it all.

Cargo Backrest

- Fits only specific Wesco 27" W pallet trucks: long fork, with brake, CPI and CP3 models.
- Easy attachment, no drilling, can be field retrofitted.
- Field or factory installed.
- Backrest Only Kit - Part #271999 - 42 lbs.
- Part #272296 - 213 lbs. Assembled CPI Pallet Truck #272660 with Mounted Backrest #271999.



Backrest 271999



3 in 1 Guard 272004

3 in 1 Guard and Cargo Backrest designed for use only on specific Wesco Pallet Trucks. Use on trucks other than Wesco void any and all warranties.

Steel Frame Pedalift Features:

- 750 lb lift capacity.
- Wheel locks are standard on all models.
- Frame and lift heights vary among models.



WPL-54-2222

WPL-54-F

Two Wheeled Winch Models

- 1-year warranty.
- Manual winch with auto-brake.
- Low maintenance design.
- Front of platform touches the ground on two wheeled model.
- Wheel lock standard.
- All 54" lifts are 60.5" O.A.H. All 40" lifts are 48.5" O.A.H.
- 8" x 2" wheels with .75" precision ball bearings.
- Adjustable forks.

OVERALL DIMENSIONS

w:	22.5"	22.5"	30"	22.5"	22.5"
h:	48.5"	60.5"	60.5"	48.5"	60.5"
d:	32"	32"	32"	32"	32"



WDPL-54-2222

WDPL-54-F

Four Wheeled Winch Models

- 1-year warranty.
- Manual winch with auto-brake.
- Low maintenance design.
- Platform on four wheeled model sits 5.75" above the floor.
- Wheel lock standard.
- All 54" lifts are 60.5" O.A.H. All 40" lifts are 48.5" O.A.H.
- 8"x2" wheels with .75" precision ball bearings.
- 3.5" diameter polyurethane ball bearing front swivel casters.
- Adjustable forks.

OVERALL DIMENSIONS

w:	22.5"	22.5"	30"	22.5"	22.5"
h:	48.5"	60.5"	60.5"	48.5"	60.5"
d:	32"	32"	32"	32"	32"

Part #	260015	260016	260017	260018	260019	260020	260021	260022	260023	260024
Model #	WPL-40-1620	WPL-54-2222	WPL-54-2230	WPL-40-F	WPL-54-F	WDPL-40-1620	WDPL-54-2222	WDPL-54-2230	WDPL-40-F	WDPL-54-F
Capacity	750 lbs	750 lbs	750 lbs	750 lbs	750 lbs	750 lbs	750 lbs	750 lbs	750 lbs	750 lbs
Platform or Fork W x L	Platform 20" X 16"	Platform 22" x 22"	Platform 30" x 22"	Fork 3" x 18"	Fork 3" x 18"	Platform 20" x 16"	Platform 22" x 22"	Platform 30" x 22"	Fork 3" x 18"	Fork 3" x 18"
Lift Height	40"	54"	54"	40"	54"	40"	54"	54"	40"	54"
Load Center	10"	10"	10"	10"	10"	10"	10"	10"	10"	10"
Weight	106 lbs	147 lbs	157 lbs	125 lbs	157 lbs	113 lbs	153 lbs	163 lbs	132 lbs	163 lbs



Two Wheeled Hydraulic Models

- 1-year warranty.
- WESCO manufactured hydraulic Pedalift Jack, over 40 years of proven quality.
- Front tip of nose plate touches floor.
- Foot operated hydraulic pump raises platform, foot release lowers platform.
- Wheel lock standard.
- All 54" lifts are 60.5" O.A.H.
All 40" lifts are 48.5" O.A.H.
- 8" x 2" wheels with .75" precision ball bearings.
- Adjustable forks.

OVERALL DIMENSIONS

w:	22.5"	22.5"	30"	22.5"	22.5"
h:	48.5"	60.5"	60.5"	48.5"	60.5"
d:	32"	32"	32"	32"	32"



Four Wheeled Hydraulic Models

- 1-year warranty.
- WESCO manufactured hydraulic Pedalift Jack, over 40 years of proven quality.
- Available 304 stainless steel construction:
 - Stainless model has 8" x 2" polyurethane tread on polypropylene hub, non-marking wheels with 440 stainless sealed 3/4" precision ball bearing.
 - 304 stainless hydraulic jack.
 - 304 stainless swivel casters with plain bore 3.5" hard rubber wheels.
- Foot operated hydraulic pump raises platform, foot release lowers platform.
- Platform sits 5.75" above the floor.
- Wheel lock standard.
- All 54" lifts are 60.5" O.A.H. All 40" lifts are 48.5" O.A.H.
- 8" x 2" wheels with .75" precision ball bearings on steel models.
- 3.5" diameter polyurethane ball bearing front swivel caster on steel models.
- Adjustable forks.

OVERALL DIMENSIONS

w:	22.5"	22.5"	30"	22.5"	22.5"	22.5"	22.5"
h:	48.5"	60.5"	60.5"	48.5"	60.5"	60.5"	60.5"
d:	32"	32"	32"	32"	32"	32"	32"

304 Stainless Steel

Part #	260001	260002	260003	260006	260007	260008	260009	260010	260011	260012	260186	260197
Model #	PL-40-1620	PL-54-2222	PL-54-2230	PL-40-F	PL-54-F	DPL-40-1620	DPL-54-2222	DPL-54-2230	DPL-40-F	DPL-54-F	SSDPL-54-2222	SSDPL-54-F
Capacity	750 lbs	750 lbs	750 lbs	750 lbs	750 lbs	750 lbs	750 lbs	750 lbs	750 lbs	750 lbs	750 lbs	750 lbs
Platform or Fork W x L	Platform 20" x 16"	Platform 22" x 22"	Platform 30" x 22"	Fork 3" x 18"	Fork 3" x 18"	Platform 20" X 16"	Platform 22" x 22"	Platform 30" x 22"	Fork 3" x 18"	Fork 3" x 18"	Platform 22" x 22"	Fork 3" x 18"
Lift Height	40"	54"	54"	40"	54"	40"	54"	54"	40"	54"	54"	54"
Load Center	10"	10"	10"	10"	10"	10"	10"	10"	10"	10"	10"	10"
Weight	112 lbs	156 lbs	166 lbs	131 lbs	166 lbs	119 lbs	166 lbs	172 lbs	138 lbs	172 lbs	175 lbs	181 lbs

Cylinder Truck?

See page 30.



Hydraulic Cylinder Lift

- 1-year warranty.
- WESCO manufactured hydraulic Pedalift Jack, over 40 years of proven quality.
- Easily lifts and transports gas cylinders.
- Swivel casters make maneuvering in tight places easier.
- Two models:
 - Foot operated hydraulic pump.
 - Manual winch with auto-brake.
- Maximum cylinder diameter 9.5".
- Casters with wheel locks.

OVERALL DIMENSIONS

w: 20"	20"
h: 54"	58"
d: 29.25"	29.25"



Universal Lift

- 1-year warranty.
- Two straps with buckles to help secure load, 9' wrap around and 5' front to back.
- Manual winch with auto brake.
- Two 8" wheels and two 3 1/2" polyurethane casters.
- Lowered platform sits 6" above ground.
- Ideal for placing rental equipment on to pickup truck or into van.

OVERALL DIMENSIONS

w: 29.25"
h: 61"
d: 46.4"



LLHP



LLHF

Hydraulic Lite-Lift

- 1-year warranty.
- WESCO manufactured hydraulic Pedalift Jack, over 40 years of proven quality.
- Foot operated hydraulic pump.
- Release foot pedal for controlled lowering.
- Casters with wheel locks.
- Adjustable forks.

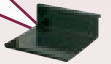
OVERALL DIMENSIONS

w: 20"	20"
h: 70.5"	70.5"
d: 30"	30"



Platform Option

- Provides the utility of two units.
 - Easy installation - no tools required.
- Part # - 260157
Model # - POK



To order option, add Part # or Model # to Lite-Lift Part # or Model #.



LLWP

Winch Lite-Lift

- 1-year warranty.
- Manual winch with auto-brake.
- No catches to release.
- Low maintenance.
- Casters with wheel locks.

OVERALL DIMENSIONS

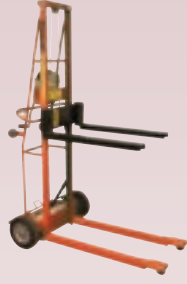
w: 20"	20"
h: 70.5"	70.5"
d: 30"	30"

Part #	260161	260163	260130	260150	260151	260152	260153
Model #	LLHPB	LLWPB	ULP2630	LLHP	LLHF	LLWP	LLWF
Capacity	300 lbs	300 lbs	750 lbs	500 lbs	500 lbs	500 lbs	500 lbs
Platform or Fork W x L	Platform 12" x 20"	Platform 12" x 20"	Platform 26" x 30"	Platform 20" x 20"	Fork 3" x 19" x .75"	Platform 20" x 20"	Fork 3" x 19" x .75"
Lift Height	40" / Hydraulic	40" / Winch	54"	54"	54"	54"	54"
Lowered Height	1/4"	1/4"	6"	5.75"	4.25"	5.75"	4.25"
Caster / Wheel Size	5"	5"	3.5" / 8"	5"	5"	5"	5"
Front Leg Span	N/A	N/A	N/A 19.75" OD	15.25" ID x 20" OD	15.25" ID 20" OD	15.25" ID 20" OD	15.25" ID 20" OD
Load Center	10"	10"	6"	10"	10"	10"	10"
Weight	165 lbs	152 lbs	224 lbs	139 lbs	157 lbs	103 lbs	124 lb

WESCO® TRIPLE TRUCK / ALUMINUM PEDALIFTS



261160 Frame w/
261161 Drum Lifter



261160 Frame w/
261162 Adjustable Forks

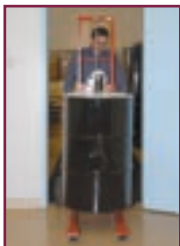


261160 Frame w/
261163 Platform

A WESCO EXCLUSIVE
5 YEAR GUARANTEE
★ AGAINST WELD FAILURE ★

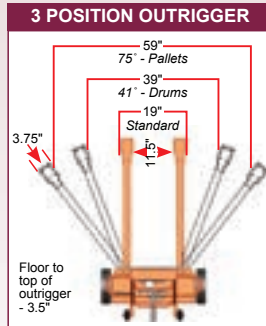
Aluminum Frame Pedalifts features:

- Aluminum construction for lightweight ruggedness.
- 20" deep x 22" wide platform size.
- Wheel locks are standard on all models.
- Front of platform touches the floor.
- Frame and lift heights vary among models.



Triple Truck

- **1-YEAR WARRANTY, PATENT NO. US9,139,214B2.**
- Handles most standard rim 30, 55 and 85 gal. steel, poly and fiber drums.
- Manual winch with auto brake.
- 3 Models of Lifting Attachments - **No tools required:**
 - #261161 - Gator Grip® Drum Lifter Attachment
 - #261162 - Adjustable Width Forks -6" to 19½" O.D.
 - #261163 - Platform - 21¼" W x 28½" D. (Optional slip-on over forks.) Requires adjustable fork option.



- Carriage lock, lock carriage in place at any position.
- Easy load rollers assist loading onto a truck bed.
- **HOW TO ORDER:** **LOOK**

Frame and attachments ordered separately.

1. Purchase basic frame - **Part #261160.**
 2. Select lifting attachment.
 - a. Gator Grip® Drum Lifter - **Part #261161.**
 - b. Adjustable Forks - **Part #261162.**
 - c. Slip-on Platform* - **Part #261163.**
- (Requires adjustable fork option.)

- Low-profile 3" debris deflecting neoprene swivel casters.
- Floor to top of leg height - 3.75".
- 10" x 2.75" poly hub solid rubber wheels - **Part # 150698.**
- Wheel lock - pedal activated.
- Lever operated outrigger adjustment - 3 positions.
- Outrigger angle can be changed even under full load.

OVERALL DIMENSIONS

w: 30"	16"
h: 70.75"	33"
d: 52.25"	12"



WMPL-54-2022
Winch/Platform



MPL-54-2022
Hydraulic/Platform

Two Wheeled Winch Models

- 1-year warranty.
- Manual winch with auto-brake.
- Light weight minimizes the effort required for moving and lifting.
- Wheel lock standard.
- 8"x2" wheels with .75" ball bearings.

OVERALL DIMENSIONS

w: 22.5"	w: 22.5"
h: 48.5"	h: 60.5"
d: 32"	d: 32"

Two Wheeled Hydraulic Models

- 1-year warranty.
- Foot operated hydraulic pump raises platform, foot release lowers platform.
- WESCO manufactured hydraulic Pedalift Jack, over 40 years of proven quality.
- Wheel lock standard.
- 8"x2" wheels with .75" ball bearings.

OVERALL DIMENSIONS

w: 22.5"	w: 22.5"
h: 48.5"	h: 60.5"
d: 32"	d: 32"

Part #	261160	261161	261162	261163	260025	260026	260004	260005
Model #	TTF	TTF-GG	TTF-AF	TTF-P	WMPL-40-2022	WMPL-54-2022	MPL-40-2022	MPL-54-2022
Capacity	750 lbs	750 lbs	750 lbs	750 lbs	400 lbs	400 lbs	400 lbs	400 lbs
Platform or Fork W x L	FRAME ONLY	GATOR GRIP	ADJ. FORKS 3" x 26.75"	PLATFORM* 21.25" x 28.125"	Platform 22" x 20"	Platform 22" x 20"	Platform 22" x 20"	Platform 22" x 20"
Front Leg Span	SEE CHART ABOVE				N/A	N/A	N/A	N/A
Lowered Height	N/A	28.75"	4"	5"	N/A	N/A	N/A	N/A
Lift Height	N/A	69"	62"	62.125"	40"	54"	40"	54"
Caster / Wheel Size	3" / 10"	N/A	N/A	N/A	8" x 2"	8" x 2"	8" x 2"	8" x 2"
Load Center	N/A	16"	16"	16"	10"	10"	10"	10"
Weight	224 lbs	32 lbs	30 lbs	6 lbs	61 lbs	68 lbs	71 lbs	77 lbs

*Requires Adjustable Fork Option



SINCE 1948



273510
Fixed Base
(Forks Down)



273510
Fixed Base
(Forks Up)



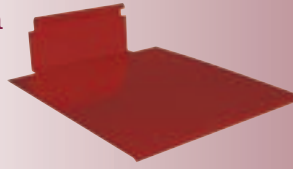
273516
Counter-balance Straddle
(Forks Down)



273513
Adjustable Straddle
(Forks Down)

Optional Removable Steel Platform

- Fits over forks.
- Size: 20.5"W x 24.25"L.
- Weight: 26 lbs.
- Part #273518



With optional support backrest and foldable platform.

Hand Winch Lifters

- Capacities: 350, 400 and 500 lbs.
- Aluminum and steel construction.
- 8" rear wheels and 2" front swivel casters are non-marking.
- Forks can be inverted for two different lift heights. Fork size: 4"W x 22.5"L x 1.75"H.
- Winch crank handle locks to secure carriage.
- Three models:
 - **Fixed Base** used in narrow work spaces. Base legs: 13" inside width x 21.5" overall width.
 - **Adjustable Straddle** with adjustable legs 21.5" to 36" inside width and 29" to 44" outside width.
 - **Counter-balance Straddle.** Short legs get you close to load when there is no room for standard legs. 5" polyurethane rear swivel casters with brakes and 4" front wheels.
- Top of frame rollers facilitates laying truck horizontal for transport.

OVERALL DIMENSIONS

w:	24"	24"	29"	29"	29"	29"	29"	29"
h:	68"	68"	79"	68"	68"	68"	68"	68"
d:	35"	35"	43"	43"	43"	47"	47"	47"

Premium Light Duty Winch Lift

- 1 Year Warranty on parts only.
- Zinc-plated finish.
- Suitable for clean environments.
- Swivel caster, 3/4" polyurethane dual wheel.
- Easy maneuvering in tight or narrow spaces.
- 2" lifting strap.
- Manual winch with auto brake.
- Optional zinc-plated cargo support backrest. Part #274531.
- Optional 304 stainless steel foldable platform.- 15.125" x 23.25" - Part #274530.

OVERALL DIMENSIONS

w:	23.25"
h:	54.125"
d:	29.25"

Part #	273510	273511	273512	273513	273514	273515	273516	273517	274520
Model #	HWLFX-4	HWLFX-5	HWLSD-3.5	HWLSD-4	HWLSD-5	HWLCB-3.5	HWLCB-4	HWLCB-5	DWL-43
Capacity	400 lbs	500 lbs	350 lbs	400 lbs	500 lbs	350 lbs	400 lbs	500 lbs	265 lbs
Base	Fixed	Fixed	Adjustable Straddle	Adjustable Straddle	Adjustable Straddle	Counter-balance Straddle	Counter-balance Straddle	Counter-balance Straddle	Fork Dimension 1.375" Dia. x 15"
Max. Lift Range*	98" / 120"	47" / 70"	120" / 142"	98" / 120"	47" / 70"	120" / 142"	98" / 120"	47" / 70"	43"
Lowered Height Range*	3.5" / 25"	3.5" / 27.5"	1.25" / 21.5"	1.25" / 21.5"	1.25" / 21.5"	1.25" / 21.5"	2" / 25"	2" / 25"	3.25"
Load Center	11.25"	11.25"	11.25"	11.25"	11.25"	11.25"	11.25"	11.25"	15.25"
Weight	154 lbs	143 lbs	176 lbs	165 lbs	154 lbs	405 lbs	394 lbs	383 lbs	55 lbs

* Forks down / forks up dimensions.



1,000 LB. HYDRAULIC & WINCH PLATFORM STACKERS

Hydraulic Stackers features:

- Floor locks, safety screen and foot guard are standard on all models.
- Forks touch the floor on all fork models.
- Front phenolic wheels are 5" diameter.
- Rear phenolic swivel casters are 4" diameter.
- Hydraulic jack manufactured by WESCO.
- "S"tandard line features one piece platform guide rail.
- "E"conomy line offers an economical price value.
- Foot pedal - pump and release.



SPL-60-2424



A WESCO EXCLUSIVE
5 YEAR GUARANTEE
* AGAINST WELD FAILURE *

Wesco Large Platform Models

- 1-year warranty.
- WESCO manufactured hydraulic Stacker Jack, over 40 years of proven quality.
- 30" deep x 32" wide heavy gauge platform with 5.25" lowered height.
- 18" load center.
- Base leg span - 25.5" inside, 32" outside.
- NEW Low Profile Outrigger Option available. See below.



SPL-80-3032



ESPL-60-3032

Wesco Platform Models

- 1-year warranty.
- WESCO manufactured hydraulic Stacker Jack, over 40 years of proven quality.
- 24" x 24" heavy gauge platform with 5.75" lowered height.
- 15" load center.
- Base leg span - 15" inside, 21" outside.
- NEW Low Profile Outrigger Option available.



ESPL-60-2424

OVERALL DIMENSIONS

w:	25.5"	25.5"	25.5"	25.5"	25.5"	25.5"
h:	75"	72"	83"	80"	94"	92"
d:	40"	40"	38"	40"	40"	40"
	40"					
	Standard	Economy	Standard	Economy	Standard	Economy

OVERALL DIMENSIONS

w:	32"	32"	32"	32"	32"	32"
h:	75"	72"	83"	80"	94"	92"
d:	44.5"	44.5"	44.5"	44.5"	44.5"	44.5"
	44.5"					
	Standard	Economy	Standard	Economy	Standard	Economy

Part #	260032	260044	260033	260045	260034	260046	260038	260050	260039	260051	260040	260052
Model #	SPL-60-2424	ESPL-60-2424	SPL-68-2424	ESPL-68-2424	SPL-80-2424	ESPL-80-2424	SPL-60-3032	ESPL-60-3032	SPL-68-3032	ESPL-68-3032	SPL-80-3032	ESPL-80-3032
Capacity	1,000 lbs	1,000 lbs	1,000 lbs	1,000 lbs	1,000 lbs	1,000 lbs	1,000 lbs	1,000 lbs	1,000 lbs	1,000 lbs	1,000 lbs	1,000 lbs
Platform/Fork W x L	24" x 24"	24" x 24"	24" x 24"	24" x 24"	24" x 24"	24" x 24"	32" x 30"	32" x 30"	32" x 30"	32" x 30"	32" x 30"	32" x 30"
Lift Height	60"	60"	68"	68"	80"	80"	60"	60"	68"	68"	80"	80"
Load Center	15"	15"	15"	15"	15"	15"	18"	18"	18"	18"	18"	18"
Weight	233 lbs	226 lbs	248 lbs	234 lbs	274 lbs	263 lbs	272 lbs	265 lbs	295 lbs	273 lbs	317 lbs	298 lbs
Low Profile Option	Yes	Yes	Yes	Yes	Yes	Yes	Yes	Yes	Yes	Yes	Yes	Yes

1,000 lb Capacity Winch Stacker



- 1-year warranty.
- Heavy duty 1,000 lb capacity.
- Heavy duty winch with auto brake.
- Floor lock and safety screen are standard.
- Swivel casters - 4" x 2" phenolic. Load wheels - 5" x 2" phenolic.
- Lowered height - 5.25".
- NEW Low Profile Outrigger Option available.



SWPL-68-2424

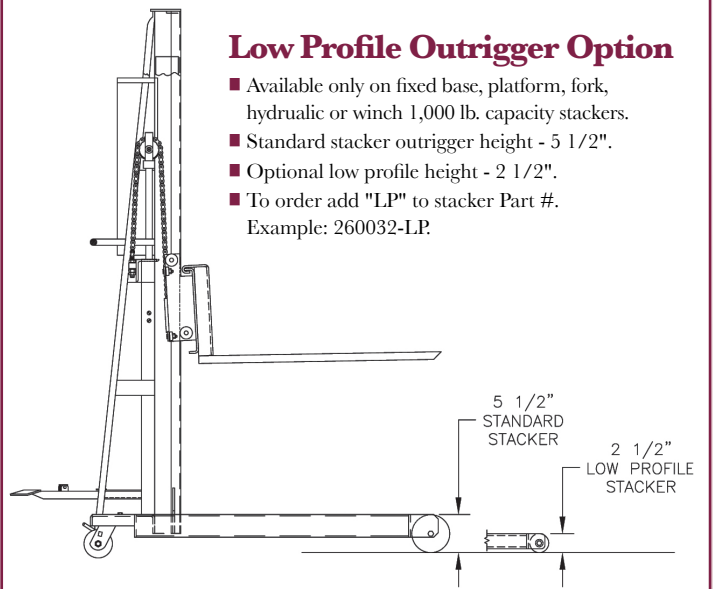
OVERALL DIMENSIONS

w: 24"
h: 83.25"
d: 41"

Part #	270214
Model #	SWPL-68-2424
Capacity	1,000 lbs
Platform/Fork W x L	24" x 24"
Lift Height	70"
Load Center	15"
Weight	238 lbs
Low Profile Option	Yes

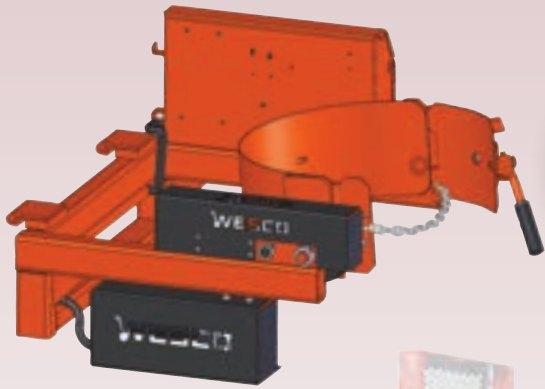
Low Profile Outrigger Option

- Available only on fixed base, platform, fork, hydraulic or winch 1,000 lb. capacity stackers.
- Standard stacker outrigger height - 5 1/2".
- Optional low profile height - 2 1/2".
- To order add "LP" to stacker Part #.
Example: 260032-LP.



SINCE 1948

WESCO® POWER AND MANUAL DRUM ROTATOR ATTACHMENT



*Power Drum Rotator
Part #240145*

STACKER NOT INCLUDED



*Manual Drum Rotator
Part #240144*

STACKER NOT INCLUDED



Wesco Power Drum Rotator

- Fully self-contained
- No stacker modifications required
- Wireless remote control for safe operation
- Heavy duty battery for extended operation
- On-board charger
- Industrial gear motor drive
- Handles 55 gallon, 30 gallon and fiber drums (w/attachments)
- Ships assembled and boxed
- Capacity: 800 lbs./full drum
500 lbs./half drum
- For use with Wesco Counterbalance Stackers and Fork Model Stackers (with 25" or greater ID outrigger span)

OVERALL DIMENSIONS

w: 35"
h: 20.75"
d: 30.5"

Wesco Manual Drum Rotator

- Manual geared tilting configuration that allows for full drum rotational control using a traditional chain (144" length) and wheel design.
- Geared design allows controlled dumping and dispensing
- 30:1 gear ratio
- Removable tilt handle
- For use with Wesco Counterbalance Stackers and Fork Model Stackers (with 25" or greater ID outrigger span)

OVERALL DIMENSIONS

w: 35"
h: 15"
d: 30.5"

Part #	240145
Model #	PDRA-55-1K
Capacity	800 lb/full drum - 500 lb/half drum
Weight	150 lbs

Part #	240144
Model #	DRA-55-1K
Capacity	800 lb/full drum - 500 lb/half drum
Weight	118 lbs

OPTIONS



*DMG-30A - 30 Gallon Insert
Part# 270040*



*FBA - Fiber Drum Adapter
Part# 270402*

65

LIFT EQUIPMENT

A WESCO EXCLUSIVE
5 YEAR GUARANTEE
 * AGAINST WELD FAILURE *

Wesco Fork Model

- 1-year warranty.
- 1" thick x 3" wide x 25" long forks.
- Adjustable fork range:
 minimum - 6.125" O.D.
 maximum - 25" O.D.
- 15" load center.
- 25.5" overall width; 40" depth.
- Base leg span - 15" inside, 21" outside.
- Forks lower to ground.
- **WESCO manufactured hydraulic Stacker Jack, over 40 years of proven quality.**
- **NEW Low Profile Outrigger Option available. (See page 64.)**



SFL-56-25



SFL-76-25

OVERALL DIMENSIONS

w:	25.5"	25.5"	25.5"	25.5"	25.5"	25.5"
h:	75"	72"	83"	80"	94"	92"
d:	44.5"	44"	44.5"	44"	44.5"	44"

	Standard	Economy	Standard	Economy	Standard	Economy
Part #	260035	260047	260036	260048	260037	260049
Model #	SFL-56-25	ESFL-56-25	SFL-64-25	ESFL-64-25	SFL-76-25	ESFL-76-25
Capacity	1,000 lbs	1,000 lbs	1,000 lbs	1,000 lbs	1,000 lbs	1,000 lbs
Platform/Fork W x L	3" x 25"	3" x 25"	3" x 25"	3" x 25"	3" x 25"	3" x 25"
Lift Height	56"	56"	64"	64"	76"	76"
Load Center	15"	15"	15"	15"	15"	15"
Weight	265 lbs	258 lbs	273 lbs	266 lbs	306 lbs	295 lbs
Low Profile Option	Yes	Yes	Yes	Yes	Yes	Yes



Straddle Fork Model

- 1-year warranty.
- 1" thick x 3" wide x 30" long forks.
- Adjustable fork range:
 minimum - 6.125" O.D.
 maximum - 25" O.D.
- 18" load center.
- 32" overall width; 44" depth.
- Base leg span - 25.5" inside, 32" outside.
- Forks lower to ground.
- **WESCO manufactured hydraulic Stacker Jack, over 40 years of proven quality.**
- **NEW Low Profile Outrigger Option available. (See page 64.)**

SFL-64-30S



Wide Straddle Fork Model

- 1-year warranty.
- 1" thick x 3" wide x 30" long forks.
- Base leg span - 42" inside, 48.75" outside.
- Adjustable fork range:
 minimum - 6.125" O.D.
 maximum - 25" O.D.
- Overall width 48.75", depth 48.25".
- Forks lower to the ground.
- **NOT AVAILABLE - Low profile option.**
- **WESCO manufactured hydraulic Stacker Jack, over 40 years of proven quality.**

ESFL-56-30-42S

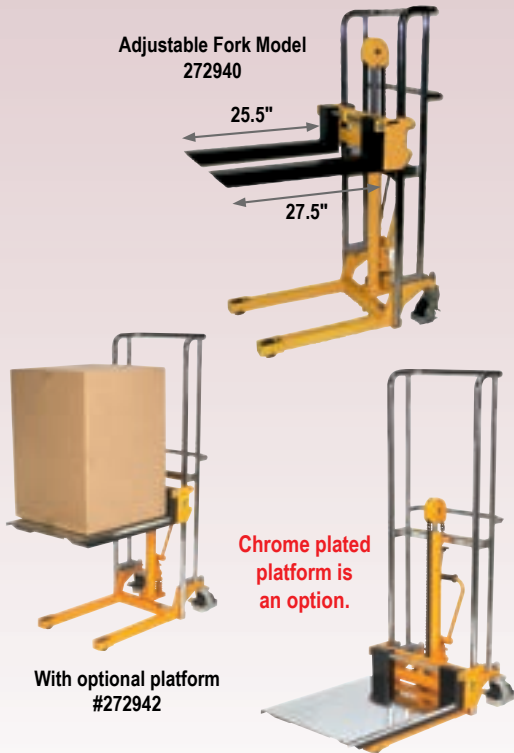


OVERALL DIMENSIONS

w:	32.5"	32.5"	32.5"	32.5"	32.5"	32.5"	48.5"
h:	75"	72"	83"	80"	94"	92"	72.5"
d:	48"	48"	48"	48"	48"	48"	49"

	Standard	Economy	Standard	Economy	Standard	Economy	Wide
Part #	260041	260053	260042	260054	260043	260055	260075
Model #	SFL-56-30S	ESFL-56-30S	SFL-64-30S	ESFL-64-30S	SFL-76-30S	ESFL-76-30S	ESFL-56-30-42S
Capacity	1,000 lbs	1,000 lbs	1,000 lbs	1,000 lbs	1,000 lbs	1,000 lbs	1,000 lbs
Fork W x L	3" x 30"	3" x 30"	3" x 30"	3" x 30"	3" x 30"	3" x 30"	3" x 30"
Lift Height	56"	56"	64"	64"	76"	76"	56"
Load Center	18"	18"	18"	18"	18"	18"	18"
Weight	288 lbs	281 lbs	298 lbs	289 lbs	333 lbs	322 lbs	352 lbs
Low Profile Option	Yes	Yes	Yes	Yes	Yes	Yes	No

WESCO® VALUE/OFFICE LIFTS AND STACKERS



Value Lift

- Adjustable 4" wide x 25.5" long forks.
- Optional, removable chrome plated 22" wide x 26" long platform.
- Foot operated hydraulic pump.
- Two 5" polyurethane swivel casters with brake and two 3" polyurethane rigid wheels.
- Two lift heights: 47" and 59".
- Chrome plated rails and handle.
- Ships KD.
- #272942 Optional Platform fits both Manual and Electric Value Lift Stackers.

OVERALL DIMENSIONS

w:	22.5"	22.5"	22"
h:	55"	70"	1"
d:	36"	37"	26"

Optional Platform

	Value Lift	Value Lift	Optional Platform
Part #	272940	272941	272942
Model #	VL47	VL59	VLRP
Capacity	880 lbs	880 lbs	N/A
Platform or Fork W x L	Fork 4" x 25.5"	Fork 4" x 25.5"	Platform 22" x 26"
Lift Height	3.5" - 47"	3.5" - 59"	N/A"
Lowered Height	3.5"	3.5"	N/A
Adj. Fork Width	8.5" - 19.5"	8.5" - 19.5"	N/A
Swivel Casters	5" Locking Polyurethane	5" Locking Polyurethane	N/A
Load Wheels	3" Rigid Polyurethane	3" Rigid Polyurethane	N/A
Battery	N/A	N/A	N/A
Load Center	12.75"	12.75"	N/A
Weight	178 lbs	187 lbs	10 lbs



Control Panel



VLP-59

Electric Value Lift Stackers

- Adjustable 4" wide x 25.5" long forks.
- Optional, removable 22" wide x 26" long platform.
- Two 5" polyurethane swivel casters with brake and two 3" polyurethane rigid wheels.
- Two lift heights: 47" and 59".
- Chrome plated rails and handles.
- UL approved charger.
- Sealed maintenance-free battery.
- Keyed on/off switch.
- Raise/lower controls.
- #272942 Optional Platform fits both Manual and Electric Value Lift Stackers.

OVERALL DIMENSIONS

w:	22.5"	22.5"
h:	55"	68"
d:	44"	44"



MOL

EOL

Manual and Electric Office Lifts

- Ideal for narrow aisles.
- Great for offices.
- Two models, manual and electric.
- Lightweight, but sturdy.
- Sealed battery and automatic charger built in.
- Remote up and down pendant for electric model.
- 9/16" thick plastic platform.

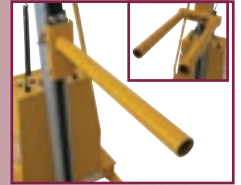
OVERALL DIMENSIONS

w:	23.5"	23.5"
h:	71.5"	78"
d:	32"	34"

Manual Electric

	Manual	Electric
Part #	272467	272468
Model #	MOL	EOL
Capacity	220 lbs	220 lbs
Platform or Fork W x L	Platform 18" x 23"	Platform 18" x 23"
Lift Height	58.5"	66"
Lowered Height	5"	5"
Adj. Fork Width	N/A	N/A
Swivel Casters	5" x 1.25" Hard Rubber	5" x 1.25" Hard Rubber
Load Wheels	2.75" x 1.25" Hard Rubber	2.75" x 1.25" Hard Rubber
Battery	N/A	12V
Load Center	9.25"	9.25"
Weight	104 lbs	146 lbs

Options for Office Lifts



- Single Spindle Model EP05-01 Part #274654
- Double Spindle Model EP06-01 Part #274655

- Roll raw material picking



- Bin Clamp Model EP08-01 Part #274657

- Plastic bin picking



- Roller Platform Model EP02-01 Part #274651

- Stainless steel rollers make transport smooth, easy clean up



- Stainless Ball Transfer Model EP01-01 Part #274650

- Smoothly operating from 3 directions on/off the platform



- V Block Model EP03-01 Part #274652

- V block shape specially for roll material transport

LIFT EQUIPMENT



POWER AND MANUAL DRUM ROTATOR ATTACHMENTS

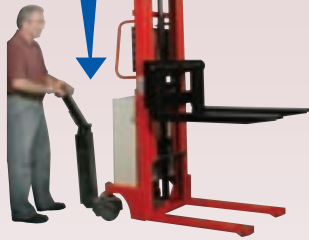
Page 65



Power Drum Rotator
Part #240145



Manual Drum Rotator
Part #240144



2,200 lb Capacity Power Drive Stacker

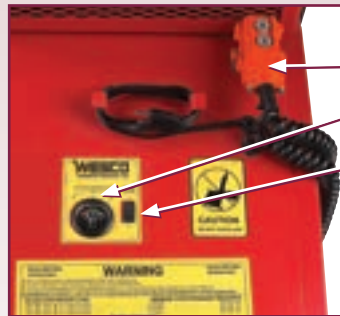
- 6 Month Warranty on parts only.
- Can not be used with pallets - only skids without bottom slates.
- Lift height of 98 1/4". Dual chain lift.
- Includes two, 12 volt, 187 AH, sealed batteries and a separate UL approved charger.
- Power propulsion system takes the effort out of moving heavy loads. Also provides easy steering.
- Fingertip control provides variable forward and reverse speeds.
- Automatic safety stop on top of control post. Unit shuts down when safety stop comes into contact with an obstacle.
- Load wheels, steering wheel and drive wheel are all moldon polyurethane.
- Adjustable forks.

OVERALL DIMENSIONS

w: 35"
h: 70" - 117.5"
d: 64"

Features of Counter-Balance Powered Line of Stackers

- Meets ANSI B56.10 specifications.
- Maximum lift capacity - 1,000 lbs.
- Remote control, floor lock, and safety screen are standard on all models.
- With a minimally charged battery, unit can be used while recharging.
- Easy to read illuminated battery status voltmeter - no extra cost!



Standard features include:
remote control
voltmeter
on/off switch.



Counter-Balance Powered Stacker

- 1-year warranty.
- Proven quality: WESCO manufactured Hydraulic Cylinder.
- Battery and charger included.
- Applications include:
 - Loading and unloading trucks.
 - Positioning dies.
 - Feeding material to presses.
- 25" long forks standard.
- 30" long fork models available, 850 lb. max. capacity.
- Order enough weight kits for your planned load. (See chart below.)
- AC models not available.



261039

Note: Counter-Balance Stackers require appropriate counter-weights. See chart below.

OVERALL DIMENSIONS

w: 26.5"	26.5"	26.5"
h: 75"	83"	94"
d: 59.5"	59.5"	59.5"

Part #	272943
Model	EKS-10
Capacity	2,200 lbs
Lowered Mast Height	70"
Raised Mast Height	117.5"
Leg ID/OD	19" / 27"
Fork Size W x L	5" x 35.25"
Outside Fork Spread	12" - 29" - Adjustable
Lowered Fork Height	2.6"
Raised Fork Height	98.25"
Load Center	17.5"
Weight	826 lbs

Part #	261037	261038	261039
Model #	PCBFL-56-25	PCBFL-64-25	PCBFL-76-25
Capacity	1,000 lbs	1,000 lbs	1,000 lbs
Fork W x L	3" x 25"	3" x 25"	3" x 25"
Outside Fork Spread	6" - 25" - Adjustable	6" - 25" - Adjustable	6" - 25" - Adjustable
Lift Height	56"	64"	76"
Wheel: Front	5"	5"	5"
Wheel: Rear	5"	5"	5"
Load Center	13"	13"	13"
Weight*	560 lbs	574 lbs	611 lbs

*Weight of stacker without counterweights.

Counter-Balance Weights

Part #	261041	261042	261043
Counterweight	200 lbs	400 lbs	600 lbs
Stacker Load Capacity	334 lbs	668 lbs	1,000 lbs



SINCE 1948

WESCO® 1,000 LB. POWER LIFT STACKERS



261024



Platform Model

- 1-year warranty.
- Proven quality: WESCO manufactured Hydraulic Cylinder.
- Battery and charger included.
- Lowered height 5.75"
- Phenolic wheels on front and phenolic casters on rear.
- Power Drive Option available: see page 71 for details. Add "-PD" to end of Part #.
- 110V AC models available (Special Order). Add AC to end of Part #.
- NEW Low Profile Outrigger Option available.

OVERALL DIMENSIONS

w: 25.5"	25.5"	25.5"
h: 72"	80"	92"
d: 36"	36"	36"

24" x 24" Platform Models



261033



Fork Model

- 1-year warranty.
- Proven quality: WESCO manufactured Hydraulic Cylinder.
- Battery and charger included.
- Forks lower to floor on all models.
- 5" phenolic wheels on front, 4" swivel on rear.
- Power Drive Option available: see page 71 for details. Add "-PD" to end of Part #.
- 110V AC models available (Special Order). Add AC to end of Part #.
- Adjustable fork range: minimum - 6" O.D. maximum - 25" O.D.
- NEW Low Profile Outrigger Option available.

OVERALL DIMENSIONS

w: 25.5"	25.5"	25.5"
h: 72"	80"	92"
d: 44.5"	44.5"	44.5"

Fork Models



261035



Adjustable Span Straddle Model

- 1-year warranty.
- Proven quality: WESCO manufactured Hydraulic Cylinder.
- Battery and charger included.
- Forks lower to floor on all models.
- Extra deep (40") straddle legs and forks for lifting pallets.
- Versatile adjustable span straddle legs can be set from 34" to 50" inside dimension to handle most standard pallets.
- Power Drive Option available: see page 71 for details.
- 110V AC models available (Special Order). Add AC to end of Part #.
- Adjustable fork range: minimum - 6" O.D., maximum - 25" O.D.
- Low Profile Option not available.

OVERALL DIMENSIONS

w: 54" Max	54" Max	54" Max
h: 72"	80"	92"
d: 58.75"	58.75"	58.75"

Adjustable Straddle Fork Models

Part #	261022	261023	261024	261028	261029	261030	261034	261035	261036
Model #	PESPL-60-2424	PESPL-68-2424	PESPL-80-2424	PESFL-56-25	PESFL-64-25	PESFL-76-25	PASFL-56-40S	PASFL-64-40S	PASFL-76-40S
Capacity	1,000 lbs	1,000 lbs	1,000 lbs	1,000 lbs	1,000 lbs	1,000 lbs	1,000 lbs	1,000 lbs	1,000 lbs
Platform or Fork W x L	Platform 24" x 24"	Platform 24" x 24"	Platform 24" x 24"	Fork 3" x 25"	Fork 3" x 25"	Fork 3" x 25"	Fork 3" x 40"	Fork 3" x 40"	Fork 3" x 40"
Lift Height	60"	68"	80"	56"	64"	76"	56"	64"	76"
Leg ID/OD	15"/21"	15"/21"	15"/21"	15"/21"	15"/21"	15"/21"	34" to 50" ID Adj.	34" to 50" ID Adj.	34" to 50" ID Adj.
Wheel:									
Front	5" phenolic	5" phenolic	5" phenolic	5" phenolic	5" phenolic	5" phenolic	5" phenolic	5" phenolic	5" phenolic
Rear	4" phenolic swivel	4" phenolic swivel	4" phenolic swivel	4" phenolic swivel	4" phenolic swivel	4" phenolic swivel	4" phenolic swivel	4" phenolic swivel	4" phenolic swivel
Load Center	15"	15"	15"	15"	15"	15"	20"	20"	20"
Weight	418 lbs	428 lbs	457 lbs	452 lbs	460 lbs	489 lbs	510 lbs	518 lbs	554 lbs
Low Profile Option	Yes	Yes	Yes	Yes	Yes	Yes	No	No	No

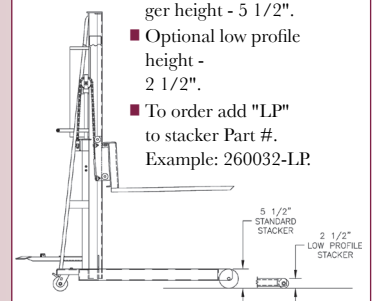
30" x 32" Platform Models

Straddle Fork Models

Part #	261025	261026	261027	261031	261032	261033
Model #	PESPL-60-3032	PESPL-68-3032	PESPL-80-3032	PESFL-56-30S	PESFL-64-30S	PESFL-76-30S
Capacity	1,000 lbs	1,000 lbs	1,000 lbs	1,000 lbs	1,000 lbs	1,000 lbs
Platform or Fork W x L	Platform 32" x 30"	Platform 32" x 30"	Platform 32" x 30"	Fork 3" x 30"	Fork 3" x 30"	Fork 3" x 30"
Lift Height	60"	68"	80"	56"	64"	76"
Leg ID/OD	25.5" / 32"	25.5" / 32"	25.5" / 32"	25.5"/32"	25.5"/32"	25.5"/32"
Wheel:						
Front	5" rigid	5" rigid	5" rigid	5" phenolic	5" phenolic	5" phenolic
Rear	4" swivel	4" swivel	4" swivel	4" swivel	4" swivel	4" swivel
Load Center	18"	18"	18"	18"	18"	18"
Weight	404 lbs	427 lbs	452 lbs	442 lbs	456 lbs	465 lbs
Low Profile Option	Yes	Yes	Yes	No	No	No

Low Profile Outrigger Option

- Available only on fixed base, platform, fork, hydraulic or winch 1,000 lb. capacity stackers.
- Standard stacker outrigger height - 5 1/2".
- Optional low profile height - 2 1/2".
- To order add "LP" to stacker Part #. Example: 260032-LP.





1,500-2,000 LB. POWER LIFT FORK STACKERS



A WESCO EXCLUSIVE
5 YEAR GUARANTEE
 ★ AGAINST WELD FAILURE ★

1,500 & 2,000 lb Capacity Powered Stackers - Fork Models

- 1-year warranty.
- Proven quality: WESCO manufactured Hydraulic Cylinder.
- Meets ANSI B56.10 specifications.
- Battery and charger included.
- Adjustable forks:
 - Lower to floor on all models.
 - 3" wide x 25", 30" and 42" long.
 - OD adjustment from 6" to 24.5" or 29" maximum width.
- Adjustable base legs available on fork models.
- Reinforced frame and base.
- Double chain, lift support.
- Heavy-duty pump.
- Ergonomic "D" handles.
- 5th wheel option see page below.
- **Power Drive Option** available: see page 71 for details. Add "-PD" to end of Part #.

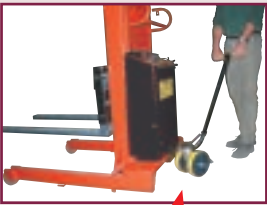


261053

30 Fixed and 6 Adjustable Base Leg Fork Models

Part #	Model #	Lift Height	Overall Height	Weight lbs	Capacity lbs	Load Center	Fork Width/Length	Base Leg ID/OD	Adj. Fork Min./Max. OD
261079	PSFL-56-25-15S-1.5K	56"	72"	512	1,500	15"	3"/25"	15"/21"	6" / 24.5"
261080	PSFL-64-25-15S-1.5K	64"	83"	532	1,500	15"	3"/25"	15"/21"	6" / 24.5"
261081	PSFL-76-25-15S-1.5K	76"	94"	596	1,500	15"	3"/25"	15"/21"	6" / 24.5"
261082	PSFL-86-25-15S-1.5K	86"	104"	642	1,500	15"	3"/25"	15"/21"	6" / 24.5"
261083	PSFL-56-25-20S-1.5K	56"	72"	523	1,500	15"	3"/25"	20"/26"	6" / 24.5"
261084	PSFL-64-25-20S-1.5K	64"	83"	543	1,500	15"	3"/25"	20"/26"	6" / 24.5"
261085	PSFL-76-25-20S-1.5K	76"	94"	607	1,500	15"	3"/25"	20"/26"	6" / 24.5"
261086	PSFL-86-25-20S-1.5K	86"	104"	654	1,500	15"	3"/25"	20"/26"	6" / 24.5"
261092	PSFL-56-25-20S-2K	56"	72"	523	2,000	15"	3"/25"	20"/26"	6" / 24.5"
261093	PSFL-64-25-20S-2K	64"	83"	558	2,000	15"	3"/25"	20"/26"	6" / 24.5"
261094	PSFL-76-25-20S-2K	76"	94"	611	2,000	15"	3"/25"	20"/26"	6" / 24.5"
261095	PSFL-86-25-20S-2K	86"	104"	659	2,000	15"	3"/25"	20"/26"	6" / 24.5"
261059	PSFL-64-30-30S-1.5K	64"	83"	566	1,500	18"	3"/30"	30"/36"	6" / 29"
261060	PSFL-76-30-30S-1.5K	76"	94"	630	1,500	18"	3"/30"	30"/36"	6" / 29"
261061	PSFL-86-30-30S-1.5K	86"	104"	677	1,500	18"	3"/30"	30"/36"	6" / 29"
261044	PSFL-64-30-30S-2K	64"	83"	571	2,000	18"	3"/30"	30"/36"	6" / 29"
261045	PSFL-76-30-30S-2K	76"	94"	635	2,000	18"	3"/30"	30"/36"	6" / 29"
261046	PSFL-86-30-30S-2K	86"	104"	682	2,000	18"	3"/30"	30"/36"	6" / 29"
261062	PSFL-64-42-42S-1.5K	64"	83"	571	1,500	24"	3"/42"	42"/48"	6" / 29"
261063	PSFL-76-42-42S-1.5K	76"	94"	637	1,500	24"	3"/42"	42"/48"	6" / 29"
261064	PSFL-86-42-42S-1.5K	86"	104"	688	1,500	24"	3"/42"	42"/48"	6" / 29"
261047	PSFL-64-42-42S-2K	64"	83"	577	2,000	24"	3"/42"	42"/48"	6" / 29"
261048	PSFL-76-42-42S-2K	76"	94"	642	2,000	24"	3"/42"	42"/48"	6" / 29"
261049	PSFL-86-42-42S-2K	86"	104"	693	2,000	24"	3"/42"	42"/48"	6" / 29"
261065	PSFL-64-42-50S-1.5K	64"	83"	577	1,500	24"	3"/42"	50"/56"	6" / 29"
261066	PSFL-76-42-50S-1.5K	76"	94"	642	1,500	24"	3"/42"	50"/56"	6" / 29"
261067	PSFL-86-42-50S-1.5K	86"	104"	693	1,500	24"	3"/42"	50"/56"	6" / 29"
261050	PSFL-64-42-50S-2K	64"	83"	582	2,000	24"	3"/42"	50"/56"	6" / 29"
261051	PSFL-76-42-50S-2K	76"	94"	647	2,000	24"	3"/42"	50"/56"	6" / 29"
261052	PSFL-86-42-50S-2K	86"	104"	698	2,000	24"	3"/42"	50"/56"	6" / 29"
261068	PASFL-64-42-3550S-1.5K	64"	83"	587	1,500	24"	3"/42"	35"-50" ID ADJ.	6" / 29"
261069	PASFL-76-42-3550S-1.5K	76"	94"	652	1,500	24"	3"/42"	35"-50" ID ADJ.	6" / 29"
261070	PASFL-86-42-3550S-1.5K	86"	104"	703	1,500	24"	3"/42"	35"-50" ID ADJ.	6" / 29"
261053	PASFL-64-42-3550S-2K	64"	83"	592	2,000	24"	3"/42"	35"-50" ID ADJ.	6" / 29"
261054	PASFL-76-42-3550S-2K	76"	94"	657	2,000	24"	3"/42"	35"-50" ID ADJ.	6" / 29"
261055	PASFL-86-42-3550S-2K	86"	104"	708	2,000	24"	3"/42"	35"-50" ID ADJ.	6" / 29"

5th Wheel Steering Option



5th Wheel Steering Option for easier mobility and precision steering in confined areas. Available only on 1,500 and 2,000 lb models. 8" locking polyurethane wheels. Spring loaded handle. Turning radius: 73.5". Can be field installed. Order as separate option under Part # 261099.

Adjustable Width Legs 6 Models



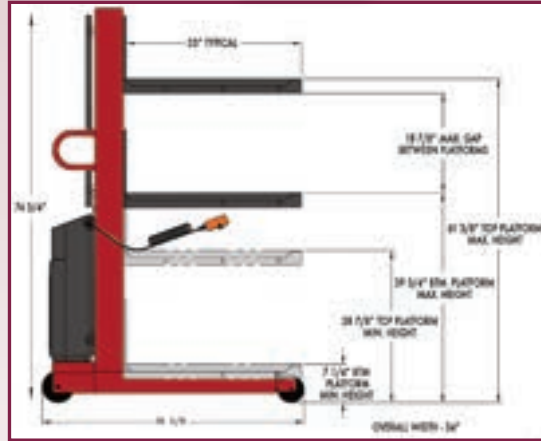
SINCE 1948



POWERED STACKERS - SINGLE & DUAL PLATFORMS

1,500 & 2,000 lb Capacity Powered Stackers - Platform Models

- 1-year warranty.
- Proven quality: WESCO manufactured Hydraulic Cylinder.
- Meets ANSI B56.10 specifications.
- Battery and charger included.
- Platform models lowered height 6".
- Adjustable base legs available on fork models only.
- Fixed platforms 24" x 24", 24" x 27", 30" x 32".
- Reinforced frame and base.
- Double chain, lift support.
- **Dual platform stacker #262056, call for details.**
- Heavy-duty pump.
- Ergonomic "D" handles.
- 5th wheel option see page 70.
- **Power Drive Option** available: see below for details. Add "-PD" to end of Part #.



Fixed Base Leg Platform Models

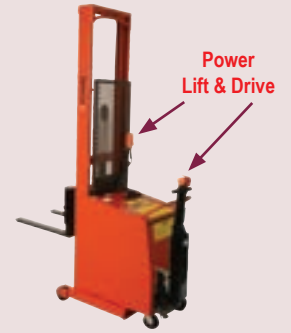
Part #	Model #	Lift Height	Overall Height	Weight lbs	Capacity lbs	Load Center	Platform Width/Length	Base Leg ID/OD
261074	PSPL-60-2424-15S-1.5K	60"	72"	468	1,500	15"	24" x 24"	15"/21"
261075	PSPL-68-2424-15S-1.5K	68"	83"	482	1,500	15"	24" x 24"	15"/21"
261076	PSPL-80-2424-15S-1.5K	80"	94"	523	1,500	15"	24" x 24"	15"/21"
261077	PSPL-90-2424-15S-1.5K	90"	104"	563	1,500	15"	24" x 24"	15"/21"
261088	PSPL-60-2427-20S-2K	60"	72"	476	2,000	15"	27" x 24"	20"/26"
261089	PSPL-68-2427-20S-2K	68"	83"	487	2,000	15"	27" x 24"	20"/26"
261090	PSPL-80-2427-20S-2K	80"	94"	530	2,000	15"	27" x 24"	20"/26"
261091	PSPL-90-2427-20S-2K	90"	104"	569	2,000	15"	27" x 24"	20"/26"
261071	PSPL-60-3032-30S-1.5K	60"	72"	479	1,500	18"	32" x 30"	30"/36"
261072	PSPL-68-3032-30S-1.5K	68"	83"	492	1,500	18"	32" x 30"	30"/36"
261073	PSPL-80-3032-30S-1.5K	80"	94"	534	1,500	18"	32" x 30"	30"/36"
261078	PSPL-90-3032-30S-1.5K	90"	104"	573	1,500	18"	32" x 30"	30"/36"
261056	PSPL-60-3032-30S-2K	60"	72"	484	2,000	18"	32" x 30"	30"/36"
261057	PSPL-68-3032-30S-2K	68"	83"	497	2,000	18"	32" x 30"	30"/36"
261058	PSPL-80-3032-30S-2K	80"	94"	539	2,000	18"	32" x 30"	30"/36"
261087	PSPL-90-3032-30S-2K	90"	104"	578	2,000	18"	32" x 30"	30"/36"
262056	PDPL-61-3033-30S-2K	61.375"	74.75"	674	2,000	18.25"	33" x 30"	30"/36"



Battery Powered System provides both propulsion and lift!
Eliminates the stress and strain of lifting and transporting heavy loads. All Wesco power lift stackers can be ordered as power drive models (except for telescoping models). All other operating specifications are the same as equivalent power lift-only models. To order, simply add "-PD" to the end of the Model #.

Optional Power Drive System for Fork and Platform Stackers

- Variable speed, steerable power drive system allows a single user to easily control forward and reverse movement of stacker.
- Simple to use finger-tip controls are built into steering handle.
- 180° hinged design allows precision steering in confined spaces.
- Spring-loaded mechanism automatically compensates for uneven floors ensuring drive wheels maintain constant contact with floor.
- Two maintenance-free sealed batteries provide plenty of power for propulsion and lift.
- 1,000 - 2,000 lb. capacities.
- Automatic emergency safety switch instantly reverses direction if control post comes in contact with obstacle.



Model # PCBFL-64-25-PD
1,000 lb. capacity counter-balance model

EQUIPMENT

WESCO® LIFT TABLES / OPTIONS



LT-10-1836

LT-02-1616

Wesco Standard Duty Tables (200 - 1,000 lb Capacities)

- 1-year warranty.
- LT-02-1616 has four 3" hard rubber swivel casters.
- LT-02-1616 ships via UPS knocked down.
- LT-05 and LT-10 models feature 2 rigid and 2 swivel 4" phenolic resin roller bearing wheel casters.
- 7 Gauge steel top and base.
- 3/8" lift per stroke.

OVERALL DIMENSIONS

w:	16"	18"	18"
h:	28.5"	30.5"	30.5"
d:	16"	21.25"	39.25"

Features:

- Capacity ranges from 200 to 6,000 lbs.
- Solid steel top and base construction.
- Casters provide easy mobility.
- Floor locks are standard on all 500 lb. + capacity tables.



LT-60-2436

Wesco Medium & Heavy Duty Tables (2,000-6,000 lb Capacities)

- 1-year warranty.
- LT models feature 2 rigid and 2 swivel 6" phenolic resin roller bearing wheel casters.
- Four support posts and push handle.
- Foot operated floor lock.
- LTL models feature 2 rigid and 2 swivel 4" phenolic resin roller bearing wheel casters.
- Wesco made hydraulic pump with 3/8" lift per stroke.

OVERALL DIMENSIONS

w:	24"	32"	24"	32"	24"	32"	24"	32"
h:	30.5"	30.5"	37"	37"	37"	37"	37"	37"
d:	39.25"	51.25"	39.25"	51.25"	39.25"	51.25"	39.25"	51.25"

Part #	260059	260060	260061	260062	260063	260064	260065	260066	260067	260068	260069
Model #	LT-02-1616	LT-05-1818	LT-10-1836	LTL-20-2436	LTL-20-3248	LT-20-2436	LT-20-3248	LT-40-2436	LT-40-3248	LT-60-2436	LT-60-3248
Capacity	200 lbs	500 lbs	1,000 lbs	2,000 lbs	2,000 lbs	2,000 lbs	2,000 lbs	4,000 lbs	4,000 lbs	6,000 lbs	6,000 lbs
Table Size W x L	16" x 16"	18" x 18"	18" x 36"	24" x 36"	32" x 48"	24" x 36"	32" x 48"	24" x 36"	32" x 48"	24" x 36"	32" x 48"
Lowered Height	28.5"	30.5"	30.5"	30.5"	30.5"	37"	37"	37"	37"	37"	37"
Raised Height	46"	47.5"	47.5"	47.5"	47.5"	59"	59"	59"	59"	59"	59"
Caster Size	3"	4"	4"	4"	4"	6"	6"	6"	6"	6"	6"
Support Posts	None	2	2	4	4	4	4	4	4	4	4
Weight	54 lbs	122 lbs	168 lbs	308 lbs	350 lbs	339 lbs	465 lbs	349 lbs	475 lbs	359 lbs	485 lbs

Value Lift Tables

- Polyurethane casters.
- Foot operated pump and release.
- Ships KD.
- 36 pumps to fully raised height.

OVERALL DIMENSIONS

w:	16"	18"
h:	29"	30"
d:	16"	18"



272470

272469

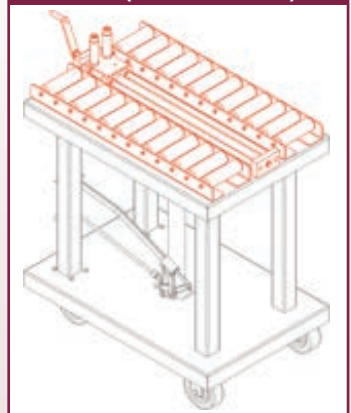
Part #	272469	272470
Model #	VLT200	VLT500
Capacity	200 lbs	500 lbs
Table Size	16" x 16"	18" x 18"
Lowered Height	29"	30"
Raised Height	46"	48"
Support Posts	None	Two
Floor Lock (FL)	N/A	Yes
Caster Size	(4) swivel 3"	(2) rigid (2) swivel 4"
Weight	76 lbs	153 lbs

5 Table-Top Options

- Factory installed only.
- Call for price.
- Not available on 16" or 18" wide tables.
- For both manual and powered Wesco-made tables only.
- Table capacity determines option capacity.
- Roller: diameter 1.9" with 7/16" hex axle.
- 1 3/8" diameter ball transfer.
- Push-Pull and Roller Top options have two directions of travel: length or width.
- To order:
 - select table Part No. (manual or powered).
 - select Option and add as suffix to table Part No.
 - Example: 260062-PPL
 - 24" x 36", 2,000 lb. capacity, manual table with a Push-Pull option that travels the length of the table.



PPL (Push-Pull)



Travel: Length of table
Suffix Code: PPL
Table top to top of roller: 3"



SINCE 1948

WESCO® POWERED LIFT TABLES / OPTIONS

Remote control for raising/lowering. Magnets on back of remote allow for storage anywhere on table.



261102



Powered Lift Tables

- 1-year warranty.
- Up to 6,000 lbs capacity.
- High volume output pump raises 1.5" per second without load.
- Standard floor lock holds table steady for loading and unloading.
- Easy to read illuminated battery status voltmeter.
- With a minimally charged battery, unit can be used while recharging.

Push-pull, roller and ball tops available on Wesco 24" x 36" and 32" x 48" manual and powered tables.

Available with Power Drive

- Combines power lift and power drive capabilities.
- Power drive option weighs 160 lbs.
- To order Power Drive, add -PD to the end of Model #.

Example:

Lift Table Power Drive
#PLT-10-1836 #PLT-10-1836-PD



Shown With
 Power Drive
 Option -
 261105-PD

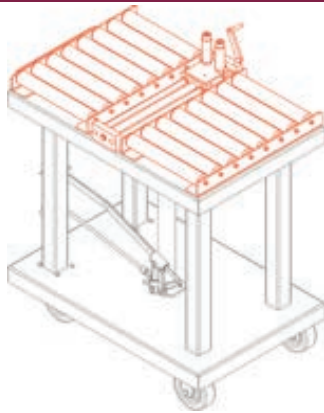
OVERALL DIMENSIONS

w:	18"	24"	32"	24"	32"	24"	32"	24"	32"
h:	30.5"	30.5"	30.5"	37"	37"	37"	37"	37"	37"
d:	39.25"	39.25"	51.25"	39.25"	51.25"	39.25"	51.25"	39.25"	51.25"

Part #	261108	261100	261101	261102	261103	261104	261105	261106	261107
Model #	PLT-10-1836	PLTL-20-2436	PLTL-20-3248	PLT-20-2436	PLT-20-3248	PLT-40-2436	PLT-40-3248	PLT-60-2436	PLT-60-3248
Capacity	1,000 lbs	2,000 lbs	2,000 lbs	2,000 lbs	2,000 lbs	4,000 lbs	4,000 lbs	6,000 lbs	6,000 lbs
Table Top W x L	18" x 36"	24" x 36"	32" x 48"	24" x 36"	32" x 48"	24" x 36"	32" x 48"	24" x 36"	32" x 48"
Raised Ht	47.5"	47.5"	47.5"	59"	59"	59"	59"	59"	59"
Lowered Ht	30.5"	30.5"	30.5"	37"	37"	37"	37"	37"	37"
Caster Size	4"	4"	4"	6"	6"	6"	6"	6"	6"
Weight	415 lbs	472 lbs	597 lbs	567 lbs	607 lbs	597 lbs	607 lbs	597 lbs	607 lbs



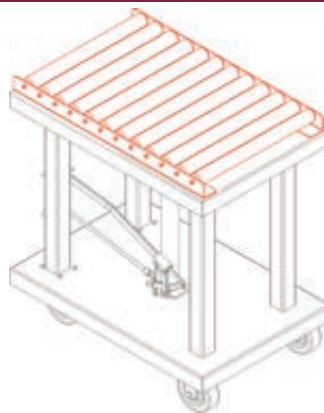
PPW (Push-Pull)



Travel: Width of table
 Suffix Code: PPW
 Table top to top of roller: 3"



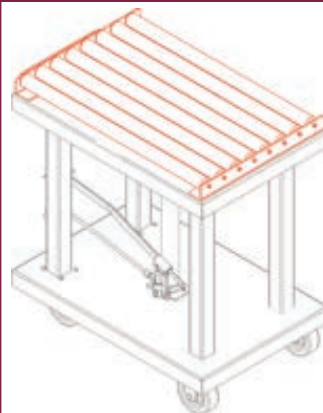
RTL (Roller-Top)



Travel: Length of table
 Suffix Code: RTL
 Table top to top of roller: 3"



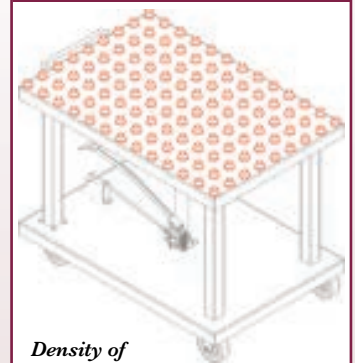
RTW (Roller-Top)



Travel: Width of table
 Suffix Code: RTW
 Table top to top of roller: 3"



BT (Ball Transfer)



Density of balls determined by table top size and capacity.

1" diameter balls
 Suffix Code: BT
 Table top to top of ball: 1 3/8"

LEXCO HYDRAULIC PRECISION LIFT TABLES



HT-200-FR

Also see Wesco Lift Tables on page 72.



LT-02-1616



LT-05-1818

200 lb. Capacity Foot Operated Hydraulic Lift Table

- 1-year warranty.
- Top and base 1/4" steel.
- Top rotates 360°.
- 4 swivel 2" diameter rubber casters.

300 lb. Capacity Foot Operated Hydraulic Lift Table

- 1-year warranty.
- Top and base 3/8" steel.
- 2 rigid and 2 swivel 3 1/2" diameter rubber casters.
- Optional phenolic resin and polyurethane caster wheels.
- Floor lock.
- Two posts.

Part #	492220	492221	492222	492223	492224	492225	492226	492227	492228
Model #	HT-200-FR	HT-203-FR	HT-201-FR	HT-209-FR	HT-300-FR	HT-318-FR	HT-316-FR	HT-314-FR	HT-312-FR
Capacity	200 lbs	200 lbs	200 lbs	200 lbs	300 lbs	300 lbs	300 lbs	300 lbs	300 lb
Table Size	16" x 16"	16" x 16"	16" x 16"	16" x 16"	18" x 18"	18" x 18"	18" x 18"	18" x 18"	18" x 18"
Lowered Height	26"	24"	22"	20"	30"	28"	26"	24"	22"
Raised Height	44"	40"	36"	32"	48"	46"	42"	38"	34"
Caster Size	2"	2"	2"	2"	3.5"	3.5"	3.5"	3.5"	3.5"
Lift	18"	16"	14"	12"	18"	18"	16"	14"	12"
Weight	53 lbs	52 lbs	51 lbs	50 lbs	135 lbs	131 lbs	128 lbs	124 lbs	121 lbs



400 lb. & 500 lb. Capacity Foot Operated Hydraulic Lift Table

- 1-year warranty.
- Top and base 12 gauge steel.
- 2 rigid and 2 swivel 5" diameter rubber casters.
- Floor lock.
- Optional phenolic resin, polyurethane and steel caster wheels.
- Precision telescoping guide tubes.



HT-500-FR



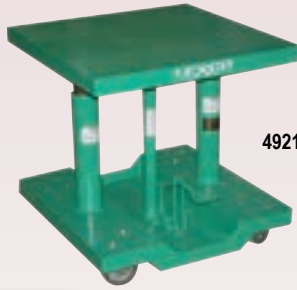
HT-2388-05-FR with Drop-Base

Part #	492229	492230	492231	492232	496037	492234	492235	492236	492237	492238
Model #	HT-400-FR	HT-416-FR	HT-414-FR	HT-412-FR	HT-500-FR	HT-2388-05-FR	HT-2368-05-FR	HT-2346-05-FR	HT-2324-05-FR	HT-2302-05-FR
Capacity	400 lbs	400 lbs	400 lbs	400 lbs	500 lbs	500 lbs	500 lbs	500 lbs	500 lbs	500 lbs
Table Size W x L	18" x 24"	18" x 24"	18" x 24"	18" x 24"	20" x 30"	20" x 30"	20" x 30"	20" x 30"	20" x 30"	20" x 30"
Lowered Height	30"	28"	26"	24"	30"	28"	26"	24"	22"	20"
Raised Height	48"	44"	40"	36"	48"	46"	44"	40"	36"	32"
Caster Size	5"	5"	5"	5"	5"	5"	5"	5"	5"	5"
Lift	18"	16"	14"	12"	18"	18"	18"	16"	14"	12"
Weight	119 lbs	115 lbs	112 lbs	108 lbs	142 lbs	173 lbs	180 lbs	176 lbs	170 lbs	164 lbs
Base	Flat	Flat	Flat	Flat	Flat	Drop	Drop	Drop	Drop	Drop

LEXCO 2,000 LB. LIFT TABLES & OPTIONAL CONVEYOR TOP



492204



492199



499811
(20" x 30" #492205 Table with #499206 Optional Push-Pull attached.)



2,000 lb. Capacity Foot Operated Hydraulic Lift Table

- **1-year warranty.**
- Precision telescoping guide tubes.
- 1/4" reinforced steel top and base.
- 5" diameter steel caster wheels.
- 2 rigid/2 swivel/1 floor lock on 20" x 30" and 30" x 30" models.
- 4 swivel casters/2 floor locks on 30" x 48" models.
- AC & DC power custom tables available. **Call for details.**
- Compatible with optional Push Pull Conveyor Top.
- **Push Pull Die Conveyor Top may be ordered separately without table or attached to table top at factory.**

Part #	492204	492205	492206	492207	492208	492209
Model #	HT-2338-2F	HT-2388-2F	HT-2368-2F	HT-2346-2F	HT-2324-2F	HT-2302-2F
Capacity	2,000 lbs	2,000 lbs	2,000 lbs	2,000 lbs	2,000 lbs	2,000 lbs
Table Size	20" x 30"	20" x 30"	20" x 30"	20" x 30"	20" x 30"	20" x 30"
Lowered Height	30"	28"	26"	24"	22"	20"
Raised Height	48"	46"	44"	40"	36"	32"
5" Steel Caster	2 rigid/ 2 swivel	2 rigid/ 2 swivel	2 rigid/ 2 swivel	2 rigid/ 2 swivel	2 rigid/ 2 swivel	2 rigid/ 2 swivel
Lift	18"	18"	18"	16"	14"	12"
Weight	215 lbs	216 lbs	224 lbs	220 lbs	213 lbs	208 lbs
TABLE WITH PUSH-PULL ATTACHED AT FACTORY						
Part #	499800	499811	499820	499821	499822	499823
Model #	HTP-2338-2F	HTP-2388-2F	HTP-2368-2F	HTP-2346-2F	HTP-2324-2F	HTP-2302-2F
Lowered Height	33"	31"	29"	27"	25"	23"
Raised Height	51"	49"	47"	43"	39"	35"

Part #	492193	492199	492200	492201	492202	492203	492210	492211	492212	492213	492214	492215
Model #	HT-3338-2F	HT-3388-2F	HT-3368-2F	HT-3346-2F	HT-3324-2F	HT-3302-2F	HT-3438-2F	HT-3488-2F	HT-3468-2F	HT-3446-2F	HT-3424-2F	HT-3402-2F
Capacity	2,000 lbs	2,000 lbs	2,000 lbs	2,000 lbs	2,000 lbs	2,000 lbs	2,000 lbs	2,000 lbs	2,000 lbs	2,000 lbs	2,000 lbs	2,000 lbs
Table Size	30" x 30"	30" x 30"	30" x 30"	30" x 30"	30" x 30"	30" x 30"	30" x 48"	30" x 48"	30" x 48"	30" x 48"	30" x 48"	30" x 48"
Lowered Height	30"	28"	26"	24"	22"	20"	30"	28"	26"	24"	22"	20"
Raised Height	48"	46"	44"	40"	36"	32"	48"	46"	44"	40"	36"	32"
5" Steel Caster	2 rigid/ 2 swivel	2 rigid/ 2 swivel	2 rigid/ 2 swivel	2 rigid/ 2 swivel	2 rigid/ 2 swivel	2 rigid/ 2 swivel	2 rigid/ 2 swivel	2 rigid/ 2 swivel	2 rigid/ 2 swivel	2 rigid/ 2 swivel	2 rigid/ 2 swivel	2 rigid/ 2 swivel
Lift	18"	18"	18"	16"	14"	12"	18"	18"	18"	16"	14"	12"
Weight	276 lbs	274 lbs	284 lbs	280 lbs	274 lbs	268 lbs	460 lbs	472 lbs	482 lbs	478 lbs	472 lbs	466 lbs
TABLE WITH PUSH-PULL ATTACHED AT FACTORY												
Part #	499824	499825	499826	499827	499828	499829	499830	499831	499832	499833	499834	499835
Model #	HTP-3338-2F	HTP-3388-2F	HTP-3368-2F	HTP-3346-2F	HTP-3324-2F	HTP-3302-2F	HTP-3438-2F	HTP-3488-2F	HTP-3468-2F	HTP-3446-2F	HTP-3424-2F	HTP-3402-2F
Lowered Height	33"	31"	29"	27"	25"	23"	33"	31"	29"	27"	25"	23"
Raised Height	51"	49"	47"	43"	39"	35"	51"	49"	47"	43"	39"	35"

Optional Manual Push-Pull Conveyor Tops (Top only/without table.)

- **Optional top only, mounted on 1/4" steel plate. Table not included.**
- **1-year warranty.**
- Easier method for pushing and pulling loads to and from the unit.

- 5-lb. effort required to crank the handle.
- Sold as stand alone unit or assembled onto table.
- **Fits only 2,000 lb Lexco Model HT Lift Tables.**
- Fits 3 sizes of table tops: 20" x 30", 30" x 30" and 30" x 48" only.
- Drilling and layout required if purchased without table.

Part #	499206	499235	499237
Model #	1098	1106	SP-5746
Capacity	2,000 lbs	2,000 lbs	2,000 lbs
Fits Table Top W x L	20" x 30"	30" x 30"	30" x 48"
Max. Die Size W x L	20" x 23"	30" x 23"	30" x 41"
Direction of Travel	30"	30"	48"
Weight	123 lbs	143 lbs	225 lb



Photo illustrates Optional #499206 Push-Pull top. TABLE NOT INCLUDED.

LEXCO HYDRAULIC PRECISION LIFT TABLES

3,000 - 6,000 lb. Foot Operated or Powered Portable Hydraulic Lift Tables

- 1-year warranty.
- AC and DC power options available.
- 1/4" steel top and base.
- 2 rigid and 2 swivel steel wheel casters.
- Standard designs available in 2 sizes: 30" x 30" and 48" x 30".
- Available in 4 capacities: 3,000 4,000 5,000 and 6,000.
- Precision telescoping guide tubes.
- Stabilizers included on 4,000, 5,000 and 6,000 models.



HT-3043-23

30" x 30" Tables

Part #	496043	496044	496045	496046	496047	496048	496049	496050	496051	496038
Model #	HT-3033-23	HT-3033-22	HT-3033-20	HT-3033-18	HT-3033-16	HT-3034-23	HT-3034-22	HT-3034-20	HT-3034-18	HT-3034-16
Capacity	3,000 lbs	3,000 lbs	3,000 lbs	3,000 lbs	3,000 lbs	4,000 lbs	4,000 lbs	4,000 lbs	4,000 lbs	4,000 lbs
Table Size	30" x 30"	30" x 30"	30" x 30"	30" x 30"	30" x 30"	30" x 30"	30" x 30"	30" x 30"	30" x 30"	30" x 30"
Raised Height	54"	52"	48"	44"	40"	54"	52"	48"	44"	40"
Lowered Height	31"	30"	28"	26"	24"	31"	30"	28"	26"	24"
Casters	6"	6"	6"	6"	6"	6"	6"	6"	6"	6"
Weight - Foot Pedal	437 lbs	433 lbs	423 lbs	413 lbs	402 lbs	448 lbs	444 lbs	433 lbs	423 lbs	407 lbs
Weight - Electric	488 lbs	484 lbs	474 lbs	464 lbs	498 lbs	499 lbs	495 lbs	484 lbs	474 lbs	458 lbs

Part #	496052	496053	496054	496055	496056	496057	496058	496059	496060	496061
Model #	HT-3035-23	HT-3035-22	HT-3035-20	HT-3035-18	HT-3035-16	HT-3036-23	HT-3036-22	HT-3036-20	HT-3036-18	HT-3036-16
Capacity	5,000 lbs	5,000 lbs	5,000 lbs	5,000 lbs	5,000 lbs	6,000 lbs	6,000 lbs	6,000 lbs	6,000 lbs	6,000 lbs
Table Size	30" x 30"	30" x 30"	30" x 30"	30" x 30"	30" x 30"	30" x 30"	30" x 30"	30" x 30"	30" x 30"	30" x 30"
Raised Height	54"	52"	48"	44"	40"	54"	52"	48"	44"	40"
Lowered Height	31"	30"	28"	26"	24"	31"	30"	28"	26"	24"
Casters	6"	6"	6"	6"	6"	6"	6"	6"	6"	6"
Weight - Foot Pedal	476 lbs	472 lbs	461 lbs	451 lbs	435 lbs	480 lbs	476 lbs	465 lbs	454 lbs	437 lbs
Weight - Electric	527 lbs	523 lbs	512 lbs	502 lbs	486 lbs	531 lbs	527 lbs	516 lbs	505 lbs	488 lbs

48" x 30" Tables

Part #	496062	496063	496064	496065	496066	496067	496068	496069	496070	496071
Model #	HT-3043-23	HT-3043-22	HT-3043-20	HT-3043-18	HT-3043-16	HT-3044-23	HT-3044-22	HT-3044-20	HT-3044-18	HT-3044-16
Capacity	3,000 lbs	3,000 lbs	3,000 lbs	3,000 lbs	3,000 lbs	4,000 lbs	4,000 lbs	4,000 lbs	4,000 lbs	4,000 lbs
Table Size	48" x 30"	48" x 30"	48" x 30"	48" x 30"	48" x 30"	48" x 30"	48" x 30"	48" x 30"	48" x 30"	48" x 30"
Raised Height	54"	52"	48"	44"	40"	54"	52"	48"	44"	40"
Lowered Height	31"	30"	28"	26"	24"	31"	30"	28"	26"	24"
Casters	6"	6"	6"	6"	6"	6"	6"	6"	6"	6"
Weight - Foot Pedal	555 lbs	551 lbs	540 lbs	530 lbs	520 lbs	568 lbs	563 lbs	553 lbs	543 lbs	526 lbs
Weight - Electric	606 lbs	602 lbs	591 lbs	581 lbs	571 lbs	619 lbs	614 lbs	604 lbs	594 lbs	577 lbs

Part #	496072	496073	496074	496075	496076	496077	496078	496079	496080	496081
Model #	HT-3045-23	HT-3045-22	HT-3045-20	HT-3045-18	HT-3045-16	HT-3046-23	HT-3046-22	HT-3046-20	HT-3046-18	HT-3046-16
Capacity	5,000 lbs	5,000 lbs	5,000 lbs	5,000 lbs	5,000 lbs	6,000 lbs	6,000 lbs	6,000 lbs	6,000 lbs	6,000 lbs
Table Size	48" x 30"	48" x 30"	48" x 30"	48" x 30"	48" x 30"	48" x 30"	48" x 30"	48" x 30"	48" x 30"	48" x 30"
Raised Height	54"	52"	48"	44"	40"	54"	52"	48"	44"	40"
Lowered Height	31"	30"	28"	26"	24"	31"	30"	28"	26"	24"
Casters	6"	6"	6"	6"	6"	6"	6"	6"	6"	6"
Weight - Foot Pedal	600 lbs	596 lbs	585 lbs	575 lbs	559 lbs	604 lbs	600 lbs	589 lbs	578 lbs	562 lbs
Weight - Electric	651 lbs	647 lbs	636 lbs	626 lbs	610 lbs	655 lbs	651 lbs	640 lbs	629 lbs	613 lbs

Other sizes also available. Call for details.

- 30" wide x 60", 72", 96" and 120" long.
- 36" wide x 60", 72", 96" and 120" long.
- 48" wide x 60", 72", 96" and 120" long.
- These sizes with 2 rigid and 2 swivel 8" diameter steel wheel casters and two floor locks.



SINCE 1948

2,000 lb. Capacity Long-Deck Hydraulic Foot-Operated Lift Tables

- 1-year warranty.
- AC and DC power options available.
- Standard lift height 30" - 48".
- Optional lift ranges available, call factory.
- 10 gauge steel top.



- Foot operated.
- Precision telescoping guide tubes.
- 4 swivel 5" diameter steel wheels or optional polyurethane wheels.
- 2 floor locks.

Call for information on powered models.

Part #	492239	492240	492241	492242	492128	492129	492130	492131
Model #	STN-2005-2F	STN-2006-2F	STN-2008-2F	STN-2010-2F	STN-3005-2F	STN-3006-2F	STN-3008-2F	STN-3010-2F
Capacity	2,000 lbs	2,000 lbs	2,000 lbs	2,000 lbs	2,000 lbs	2,000 lbs	2,000 lbs	2,000 lbs
Table Size	5' x 20"	6' x 20"	8' x 20"	10' x 20"	5' x 30"	6' x 30"	8' x 30"	10' x 30"
Raised Height	48"	48"	48"	48"	48"	48"	48"	48"
Lowered Height	30"	30"	30"	30"	30"	30"	30"	30"
Casters	5"	5"	5"	5"	5"	5"	5"	5"
Weight	384 lbs	400 lbs	459 lbs	505 lbs	423 lbs	457 lbs	512 lbs	568 lbs

Call for information on powered models.

3,000 & 5,000 lb. Capacity Long-Deck Hydraulic Foot-Operated Lift Tables

- 1-year warranty.
- AC and DC power options available.
- Load stabilizer assembly on 5,000 lb models.
- 2 floor locks.
- Precision telescoping guide tubes.
- Table top 3,000 lb. models: .25" thick steel.
- Table top 5,000 lb. models: .25" thick steel.



STN-3608-5F
With Load Stabilizer

Part #	492250	492251	492252	492253	492254	492255	492256	492257
Model #	STN-3605-3F	STN-3606-3F	STN-3608-3F	STN-3610-3F	STN-3605-5F	STN-3606-5F	STN-3608-5F	STN-3610-5F
Capacity	3,000 lbs	3,000 lbs	3,000 lbs	3,000 lbs	5,000 lbs	5,000 lbs	5,000 lbs	5,000 lbs
Table Size	5' x 36"	6' x 36"	8' x 36"	10' x 36"	5' x 36"	6' x 36"	8' x 36"	10' x 36"
Raised Height	56.375"	56.375"	56.375"	56.375"	53.125"	53.125"	53.125"	53.125"
Lowered Height	36.375"	36.375"	36.375"	36.375"	33.125"	33.125"	33.125"	33.125"
Casters	8" steel wheels 4 / swivel	8" steel wheels 4 / swivel	8" steel wheels 4 / swivel	8" steel wheels 4 / swivel	8" steel wheels 2 swivel & brake 2 rigid	8" steel wheels 2 swivel & brake 2 rigid	8" steel wheels 2 swivel & brake 2 rigid	8" steel wheels 2 swivel & brake 2 rigid
Weight	811 lbs	846 lbs	954 lbs	1,026 lbs	1,010 lbs	1,074 lbs	1,397 lbs	1,486 lbs

The DH series hydraulic die handler is a cost effective mobile die cart that allows you to transport, separate, and present your dies for service and maintenance.

2,000, 3,000 & 4,000 lb. Capacity Die Handlers

- 1-year warranty.
- Heavy-duty steel adjustable clamps for gripping the upper die set for separation.
- Floor lock.
- Precision telescoping guide tubes.
- Rigid die hangers with 360° indexing plate.
- Optional gantry heights available upon request.



Call for information on powered models.



Model DH-3005-43

Part #	499243	499244	499245	499246
Model #	DH-3339-22	DH-3438-24	DH-3043-22	DH-3005-43
Capacity	2,000lbs	2,000lbs	3,000 lbs	4,000 lbs
Table Top W x L	30" x 30"	30" x 48"	30" x 48"	30" x 60"
Raised Height	48"	48"	52"	55"
Lowered Height	30"	30"	30"	32"
Minimum Clearance under Bar to Table Top	19.885"	19.885"	20.5"	20.5"
Caster Size/Type	5" 2 swivel / 2 rigid	5" 4 swivel	6" 4 swivel	8" 2 swivel / 2 rigid
Max. Die Size	30" x 24"	42" x 30"	42" x 30"	54" x 30"
Weight	388 lbs	590 lbs	747 lbs	1,069 lbs

Precision Lift Tables

- 1/4" heavy duty welded steel construction
- Durable powder coat finish
- Long 13" crank handle for heavy loads.
- Handle positions at both table ends for optimum flexibility
- Two Lift Speeds:
 - 1/8" lift per rotation for heavy loads or precise load positioning
 - 1/4" lift per rotation for fast lift or light loads
- Heavy duty floor lock and locking swivel casters are standard
- Choice of cast iron or poly casters



Part #274680



OVERALL DIMENSIONS

w: 31.5"	31.5"	31.5"	31.5"
h: 25.6"	25.6"	25.6"	25.6"
d: 37.8"	37.8"	49.2"	49.2"

Part #	274680	274683	274681	274684
Model #	HCLT-2436-P	HCLT-2436-CI	HCLT-3048-P	HCLT-3048-CI
Capacity	2,200 lbs.	2,200 lbs.	2,200 lbs.	2,200 lbs.
Table W x L	24" x 36"	24" x 36"	30" x 48"	30" x 48"
Raised Height	42"	42"	42"	42"
Lowered Height	24"	24"	24"	24"
Wheel	Poly	Cast Iron	Poly	Cast Iron
Caster Size/Type	5" 2 rigid / 2 swivel w/brake	5" 2 rigid / 2 swivel w/brake	6" 2 rigid / 2 swivel w/brake	8" 2 rigid / 2 swivel w/brake
Weight	132 lbs.	132 lbs.	143 lbs.	143 lbs.



LT-330SL

Folding Handle Scissors Lift Table

- Folding handle lays flat on table top.
- Chrome plated handle and foot pedal.
- Lever release handle.
- Moldon polyurethane wheels and locking swivel casters.
- Foot operated pump.

OVERALL DIMENSIONS

w: 17.75"	20"	19.5"	20"
h: 37"	39"	39"	39"
d: 36"	37"	42"	37"



LT-700SL



Fixed Handle Scissors Tables

- Fixed handle.
- Foot operated pump.
- Easy to use spring loaded release lever.
- 5" x 1.5" moldon polyurethane wheels and locking casters.

OVERALL DIMENSIONS

w: 19.5"	19.5"
h: 37"	37"
d: 42"	42"



LT-770DSL



Double Scissors High Lift Tables

- Fixed handle.
- Chrome plated handle and foot pedal.
- Lever release handle.
- 5" x 1.5" moldon polyurethane wheels and locking swivel casters.
- Foot operated pump.

OVERALL DIMENSIONS

w: 19.5"	24"
h: 37"	37"
d: 45.5"	58"



LT-2200SL



LT-1650SL

Heavy Duty Scissors Lift Tables

- Fixed handle.
- Chrome plated handle and foot pedal.
- 5" x 2" moldon polyurethane wheels and locking swivel casters.
- Foot operated pump.

OVERALL DIMENSIONS

w: 20"	20"
h: 39.5"	39.5"
d: 49"	50"

Part #	260201	260207	272974	260208	260199	260200	260204	272862	272970	272973
Model #	LT-330SL	SLT-660-11	LT-660FHSL	SLT-1100-11	LT-700SL	LT-1000SL	LT-770DSL	LT-1540DSL	LT-1650SL	LT-2200SL
Capacity	330 lbs	660 lbs	660 lbs	1,100 lbs	700 lbs	1,000 lbs	770 lbs	1,540 lbs	1,650 lbs	2,200 lbs
Table Size	17.75" x 27.5"	20" x 32"	19.5" x 32"	20" x 32"	19.5" x 32"	19.5" x 32"	19.5" x 35.5"	24" x 48"	20" x 39"	20" x 40"
Raised Height	28.5"	35"	35"	35"	35"	35"	51"	59"	35.5"	39"
Lowered Height	8.5"	11"	14"	11"	14"	14"	14"	17.75"	16.5"	15"
Caster Size	4" x 1"	5" x 1.5"	5" x 1.5"	5" x 1.5"	5" x 1.5"	5" x 1.5"	5" x 1.5"	5" x 1.5"	5" x 2"	5" x 2"
Locking Caster (LC)	LC	LC	LC	LC	LC	LC	LC	LC	LC	LC
Weight	98 lbs	165 lbs	170 lbs	187 lbs	170 lbs	185 lbs	227 lbs	430 lbs	276 lbs	269 lbs

TABLE TOP SIZES

32" WIDE X 63" LONG
30" WIDE X 80" LONG



273261



Manually operated safety bars lock table in raised position.

Long Deck Scissors Table

- Oversized **63" long** x 32" wide and **80" long** x 30" wide table tops accommodate large cargo.
- Two wheels and two locking swivel casters.
- Handle height - 38" (32" x 63" table)
39" (30" x 80" table).
- Hydraulic foot pump.
- Safety bars.
- Table top thickness: .125" (3mm).

OVERALL DIMENSIONS

w: 32"	34.5"
h: 38"	53.5"
d: 74.25"	80.125"



273269



Scissors Table with Roller Top

- Roller top permits easy movement of cargo for loading and unloading.
- Two locking swivel casters - 5" x 1½" moldon polyurethane.
- Two 5" x 1½" moldon polyurethane casters.
- Handle height - 38¼".
- Two dual-position end stops help keep cargo in place.
- Eight 2" diameter rollers 18½" long.
- Hydraulic foot pump.
- Variable lowering speed valve.

OVERALL DIMENSIONS

w: 20.25"
h: 38.25"
d: 43"



273265

Hydraulic Die Lift Table

- Table top size - 24" x 36".
- Handle height - 36.75".
- Two swivel locking casters - 5" x 1½" moldon polyurethane.
- Hydraulic foot pump.
- Removable handle - may also be reversed for use in confined areas.
- Variable lowering speed.

OVERALL DIMENSIONS

w: 24"
h: 36.75"
d: 49.5"

Part #	273261	273230	273269	273265
Model #	LDT-3263	LDT-3080	DRT-2033	DT-2436
Capacity	1,100 lbs	2,200 lbs	660 lbs	2,000 lbs
Table Size	32" x 63"	30" x 80"	19.5" x 32.5"	24" x 36"
Raised Height	36"	53.5"	38.25"	36"
Lowered Height	11.25"	14.2"	12.5"	24.25"
Caster Size/Type	5" x 1.5" Moldon Polyurethane	Nylon 3" x 1.5" swivel 7" x 2" wheel	5" x 1.5"	5" x 1.5"
Weight	340 lbs	440 lbs	210 lbs	265 lbs



273710



273713



273711



273712



270662



Powered Lift Scissors Table

- 12 volt rechargeable, deep cycle batteries with onboard charger and battery gauge.
- Moldon polyurethane wheels and locking swivel casters.
- Chrome plated handle.
- Keyed on/off switch.
- Raised-height limit switch.
- Push-button pendent can be removed for hand held operation.
- Overload bypass valve.
- Emergency stop button.

OVERALL DIMENSIONS

w: 19.75"	20.5"	24.5"	19.625"
h: 36"	38"	36.25"	36"
d: 45.25"	52"	53.75"	47.75"

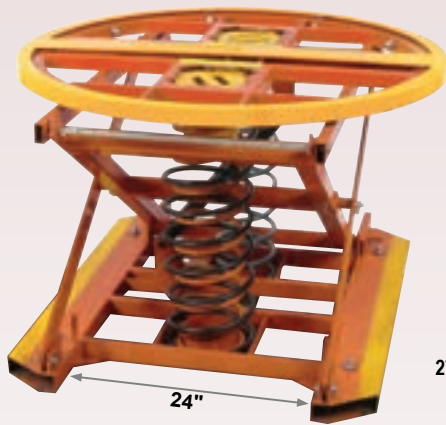
Mini Electric Lift Table

- Heavy duty to handle tough loads.
- Small and light enough to move.
- Full perimeter safety bar stops table from lowering if it contacts an obstruction.
- 110V 60 Hz.
- Push button station.

OVERALL DIMENSIONS

w: 24"
h: 30"
d: 35"

Part #	273710	273711	273712	273713	270662
Model #	PSLT-660	PSLT-1100	PSLT-1650	PSLT-770-DS	MELT
Capacity	660 lbs	1,100 lbs	1,650 lbs	770 lbs (Double Scissors)	2,200 lbs
Table Size W x L	19.75" x 33.5" x 2"	20.5" x 39.75" x 2.25"	20" x 39.5" x 2.25"	19.625" x 35.875" x 2.25"	24" x 35"
Raised Height	34.25"	40.5"	39.5"	51.5"	30"
Lowered Height	11.25"	17.25"	17"	14.5"	7"
Caster Size	5" x 1.25"	6" x 1.5"	6" x 2"	5" x 1.25"	N/A
Qty. of batteries	4	2	4	4	N/A
Weight	256 lbs	346 lbs	353 lbs	300 lbs	283 lbs



272986



Protective Skirt - Part # 275001

- Option must be ordered as a separate item.
- Only available as factory installed.
- Fits both spring and pneumatic pallet levelers.

Pallet Leveler

- The pallet leveler progressively lowers as pallet is loaded and raises as pallet is unloaded.
- 3 Heavy duty calibrated springs used in combination according to desired load range.
- Bearing supported carousel for easy turning.
- Built in fork pockets for ease of transport.
- Helps reduce fatigue and injury from bending and lifting.

OVERALL DIMENSIONS

w: 36"
h: 9.25" Compressed / 29" Raised
d: 45.5"



272696

Pneumatic Pallet Leveler

- The pneumatic pallet leveler progressively lowers as pallet is loaded and raises as pallet is unloaded.
- Pneumatic bellows actuates raising and lowering of loads.
- 80 PSI of initial air pressure required.
- Air tank and controls are self-contained and do not require constant air pressure.
- Removable tank and controls for remote operation; 48" of hose included.

OVERALL DIMENSIONS

w: 36"
h: 12.55" Compressed / 28.5" Raised
d: 45.5"

Part #	272986	272696
Model #	PL	PPL
Capacity	400-4,500 lbs	4,500 lb maximum
Raised Height	29"	28.5" (without load)
Lowered Height	9.25"	12.5"
Carousel Diameter	40.75"	40.75"
Rotating Ring Diameter	43.5"	43.5"
Fork Pocket L x W	39" x 5.75"	39" x 5.75"
Load Size	72" x 50" x 50"	72" x 50" x 50"
Weight	352 lbs	322 lbs

WESCO® RAIS-N-ROL™ MACHINERY MOVERS

A 5 Year Guarantee Against Weld Failure. A Wesco Quality Exclusive.

Features:

- Heavy duty capacities up to 5 tons - the most economical way to lift and move large bulky loads.
- Swivel casters allow movement in any direction.
- Hand operated hydraulic jack for easy lifting and controlled lowering of loads.
- All models supplied with hooks for recommended optional LB-1 or LB-2 load binders.



RNR-2



**Rais-N-Rol™
2,000 lb
Capacity
Per Pair**

- 23" wide x 13.25" deep x 47.25" high (lowered height).
- I.D. fork span range 7.25" to 17.5".

OVERALL DIMENSIONS

w: 23"
h: 47.25"
d: 15.25"



RNR-4



**Rais-N-Rol™
4,000 lb
Capacity
Per Pair**

- 23" wide x 16.875" deep x 43.5" high (lowered height).
- I.D. fork span range 5" to 19.5".

OVERALL DIMENSIONS

w: 23"
h: 43.5"
d: 18.5"



RNR-6P



**Rais-N-Rol™ 6,000 lb
Capacity Per Pair**

- 23" wide x 16.875" deep.
- RNR-6(P): 43.5" H; RNR-64(P): 43.5" H.
- I.D. fork span range 6" to 19.5".

OVERALL DIMENSIONS

w: 23"
h: 43.5"
d: 18.375"



RNR-8



**Rais-N-Rol™
8,000 lb
Capacity
Per Pair**

- 24" wide x 18.625" deep x 47" high (lowered height).
- I.D. fork span range 6" to 19.5".

OVERALL DIMENSIONS

w: 24"
h: 47"
d: 21.75"



RNR-10



**Rais-N-Rol™
10,000 lb
Capacity
Per Pair**

- 24" wide x 18.625" deep x 47" high (lowered height).
- I.D. fork span range 6" to 19.5".

OVERALL DIMENSIONS

w: 24"
h: 47"
d: 21.75"

Part #	260086	260091	260087	260092	260088	260093	260138	260139	260089	260094	260090	260095
Model #	RNR-2	RNR-2P	RNR-4	RNR-4P	RNR-6	RNR-6P	RNR-64	RNR-64P	RNR-8	RNR-8P	RNR-10	RNR-10P
Capacity	2,000 lbs	2,000 lbs	4,000 lbs	4,000 lbs	6,000 lbs	6,000 lbs	6,000 lbs	6,000 lbs	8,000 lbs	8,000 lbs	10,000 lbs	10,000 lbs
Lift	5"	5"	12"	12"	12"	12"	12"	12"	6"	6"	6"	6"
Casters	5" x 2" Phenolic	5" x 2" Polyurethane	6" x 2" Steel	6" x 2" Polyurethane	6" x 2.5" Steel	6" x 2.5" Polyurethane	6" x 2.5" Steel	6" x 2.5" Polyurethane	8" x 2.5" Steel	8" x 3" Polyurethane	8" x 2.5" Steel	8" x 3" Polyurethane
Weight	170 lbs/PR	176 lbs/PR	315 lbs/PR	313 lbs/PR	325 lbs/PR	306 lbs/PR	359 lbs/PR	359 lbs/PR	390 lbs/PR	402 lbs/PR	480 lbs/PR	475 lbs/PR

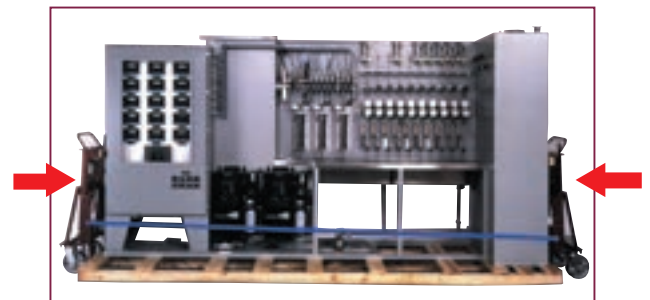
Option: Load Binder Accessory

- Two 12' long nylon belts with heavy duty ratchet tighteners.
- Highly recommended for stabilizing large loads.



LB-1

Part	Model #	
260096	LB-1	Delta rings secure belt to Rais-N-Rol
260147	LB-2	"E" track hooks secure belt to Rais-N-Rol



Panel becomes its own dolly.

LIFT EQUIPMENT

Furniture Mover

- Sold in pairs only.
- Two models: Manual Lift / Hydraulic Lift
- Economically priced.
- Great for moving furniture or odd shaped loads.
- Straps to secure load standard.
- Hydraulic unit with ratcheting strap tightener.
- 6" swivel casters.



Hydraulic
272952



Manual
272951

OVERALL DIMENSIONS

w:	23"	26.5"
h:	32"	42"
d:	15"	16"

Part #	272951	272952
Model #	MFM	HFM
Capacity	1,320 lbs per pair	3,950 lbs per pair
Lift Plate L x D	8.5" x 4.5"	23" X 2.25"
Lift Height	12"	10"
Casters	6" Moldon Polyurethane	6" Moldon Polyurethane
Weight	72 lbs	195 lbs



480020

HeviMovers™ are made with precision ground and hardened steel rollers that form an endless chain which revolves around a central load-bearing plate in the frame. Weight of the load is transferred directly from load-bearing plate to rollers. This eliminates axle friction and requires less power to start and move the load. HeviMovers™ roll easily over cracks and pitted floor areas to reduce possible damage to goods.



480002



HeviMover™ Kit #480019

- Includes 4 HMS-2 HeviMovers and 2 29" knocked down steering handles in a rugged steel tool box.

OVERALL DIMENSIONS

w:	16"
h:	7"
d:	7"

Steel Deck Machine Dolly

- .25" thick steel plate.
- 2" x .5" aircraft quality, heat treated steel wheels.

OVERALL DIMENSIONS

w:	8.5"
h:	2.5"
d:	11.75"

HeviMover™ Machine Rollers

- Swivel-top for maximum maneuverability, full 360° rotation.
- Spring-loaded locking mechanism at 45° intervals.
- Only periodic cleaning and light re-oiling of roller chain needed.

OVERALL DIMENSIONS

w:	3.125"	5.5"	5.75"	6.5"
h:	3.1875"	4.4375"	4.875"	4.875"
d:	8"	10"	10.5"	12.75"

HeviMover™ Options

- Steering handles.
- Turning bar.

Part #	480005	480006
Model #	HMH-36-1	HMH-48-1
Description	36" steering handle for HMS-2	48" steering handle for HMS-2
Weight	6 lbs	7 lbs

Part #	480007	480008
Model #	HMH-36-2	HMH-48-2
Description	36" steering handle for HMS-8, 15, 30	48" steering handle for HMS-8, 15, 30
Weight	6 lbs	7 lbs

Part #	480009
Model #	HMH-TB-2
Description	36" turning bar for HMS-8, 15, 30
Weight	14.5 lbs

Aluminum Platform Truck Features:

- Aluminum is corrosion resistant and maintains clean appearance.
- Strong enough to handle up to 3,000 lbs (depending upon caster selection).
- Lightweight aluminum allows for easy maneuverability.
- Handle included.
- Corner sockets at both ends allow handles to be used on either or both ends of truck.
- For truck platform height, add 2.5" to caster height (see caster option chart).
- Bolt on casters. (Casters Sold Separately)—choose from caster option chart.



ATP Series - Aluminum Treadplate Mode

- Structural capacity of any size platform **NOT** to exceed 3,000 lbs.
- Slip-resistant diamond pattern surface.
- Solid one piece platform surface construction.

ASD Series - Aluminum Smooth Deck

- Structural capacity of any size platform **NOT** to exceed 3,000 lbs.
- Smooth surface that is easy to keep clean.
- Solid one piece platform surface construction.

OVERALL DIMENSIONS						
w:	24"	24"	30"	30"	36"	36"
h:	2.5"	2.5"	2.5"	2.5"	2.5"	2.5"
d:	36"	48"	48"	60"	60"	72"

OVERALL DIMENSIONS						
w:	24"	24"	30"	30"	36"	36"
h:	2.5"	2.5"	2.5"	2.5"	2.5"	2.5"
d:	36"	48"	48"	60"	60"	72"

Part #	350036	350037	350039	350040	350042	350043	350027	350028	350030	350031	350033	350034
Model #	ATP-2436	ATP-2448	ATP-3048	ATP-3060	ATP-3660	ATP-3672	ASD-2436	ASD-2448	ASD-3048	ASD-3060	ASD-3660	ASD-3672

Structural Capacity	NOT TO EXCEED 3,000 LBS						NOT TO EXCEED 3,000 LBS						
	Platform	24" x 36"	24" x 48"	30" x 48"	30" x 60"	36" x 60"	36" x 72"	Platform	24" x 36"	24" x 48"	30" x 48"	30" x 60"	36" x 60"
Weight	32 lbs	40 lbs	45 lbs	54 lbs	61 lbs	71 lbs	27 lbs	33 lbs	37 lbs	44 lbs	49 lbs	59 lbs	

Actual capacity of assembled platform is dependent upon caster capacity but should never exceed the platform's structural capacity, regardless of caster type.

Caster Options for ATP and ASD Series Platform Trucks

(Two rigid, two swivel per set)

Part #	250046	250047	250049	250050	250051	250052	250053	250055	250056	250250
Model #	SR-5A	SR-5	SR-6	MR-6	MP-6	PR-6	MR-8	MP-8	PR-8	PN-8
Capacity	750 lbs	2,000 lbs	2,000 lbs	2,000 lbs	3,000 lbs	3,000 lbs	2,400 lbs	3,000 lbs	3,000 lbs	1,200 lbs
Wheel Size	5" x 1.5"	5" x 2"	6" x 2"	6" x 2"	6" x 2"	6" x 2"	8" x 2"	8" x 2"	8" x 2"	8" x 2.5"
Wheel Type	Polyolefin	Polyolefin	Polyolefin	Moldon Rubber	Moldon Polyurethane	Phenolic	Moldon Rubber	Moldon Polyurethane	Phenolic	Pneumatic
"H" Dimension Floor to Platform Top	9"	9.25"	10"	10"	10"	10"	12"	12"	12"	12.5"
Caster Height	6.50"	6.75"	7.5"	7.5"	7.5"	7.5"	9.5"	9.5"	9.5"	10"
Weight	14 lbs per set	20 lbs per set	26 lbs per set	26 lbs per set	24 lbs per set	26 lbs per set	28 lbs per set	27 lbs per set	30 lbs per set	29 lbs per set

Actual capacity of assembled platform is dependent upon caster capacity but should never exceed the platform's structural capacity, regardless of caster type.

Corner Bumper Option

- Part #250022 Model #CB
- Includes 4 bumpers.
- To order, add -CB to the end of Truck Model #.

Example: ASD-2436-CB

Perimeter Bumper Option

- Part #250023 Model #PB
- To order, add -PB to the end of Truck Model #.

Example: ASD-2436-PB

Extra Push Handle Option

- Truck Width - 24" Part #052574
- 30" #052575
- 36" #052576
- To order, add -PH2 to the end of Truck Model #.

Example: ASD-2436-PH2



273601

Thrifty Plate Aluminum Tread Platform Trucks - Commercial Quality (Import)

- Structural capacity of any size platform **not** to exceed 2,400 lbs.
- Platforms and casters sold separately.
- Casters determine capacity - 2,400 lbs or less.
- Non-marking gray corner bumpers.
- Platform top to top of handle - 32".
- **Replacement Corner Bumper Option - Part # 273611 (includes 4 bumpers + hardware).**
- **24" Extra Push Handle - Part # 273609.**
- **30" Extra Push Handle - Part # 273610.**

	OVERALL DIMENSIONS			
w: 25"	25"	31"	31"	
h: 2.625"	2.625"	2.625"	2.625"	
d: 37"	49"	49"	61"	



273607

Thrifty Plate Aluminum Tread Platform Trucks - Light Duty (Import)

- Structural capacity of any size platform **not** to exceed 1,200 lbs.
- Platforms and casters sold separately.
- Casters determine capacity - 1,200 lbs or less.
- Non-marking gray corner bumpers.
- Platform top to top of handle - 27.625".
- **Replacement Corner Bumper Option - Part # 273616 (includes 4 bumpers + hardware).**
- **24" Extra Push Handle - Part # 273614.**
- **30" Extra Push Handle - Part # 273615.**

	OVERALL DIMENSIONS			
w: 25"	25"	31"	31"	
h: 1.625"	1.625"	1.625"	1.625"	
d: 37"	49"	49"	61"	



Close-up of grid deck



273297

Steel Grid Deck Platform Truck

- Sturdy open grate design provides high strength and prevents accumulation of water and small debris.
- Durable powder coat paint finish.
- (2) 8" x 2" rigid casters and (4) 6" x 1.5" swivel end casters.
- Tilt design allows truck to pivot on its own radius.
- Platform height 10.75", height to top of handle 35.5".

	OVERALL DIMENSIONS
w: 30"	
h: 35.5"	
d: 63"	

Part #	273601	273602	273603	273604	273605	273606	273607	273608	273297
Model #	CQ2436	CQ2448	CQ3048	CQ3060	LD2436	LD2448	LD3048	LD3060	
Structural Capacity	NOT TO EXCEED 2,400 LBS				NOT TO EXCEED 1200 LBS				1,750 lbs
Platform	24" x 36"	24" x 48"	30" x 48"	30" x 60"	24" x 36"	24" x 48"	30" x 48"	30" x 60"	30" x 50"
Weight	28 lbs	36 lbs	43 lbs	53 lbs	19 lbs	23 lbs	28 lbs	34 lbs	170 lbs

Actual capacity of assembled platform is dependent upon caster capacity but should never exceed the platform's structural capacity, regardless of caster type.

Caster Options for Thrifty Plate Platform Trucks

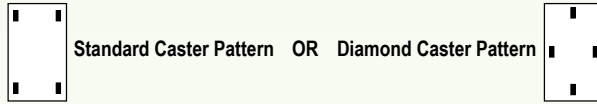
- Each Caster Set includes 2 rigid, 2 swivel casters.

Part #	273612	273613	172244	172245
Capacity	2,000 lbs	2,400 lbs	1,200 lbs	1,500 lbs
Wheel Size	6" x 2"	8" x 2"	8" x 2.5"	10" x 3.5"
Wheel Type	Moldon Rubber Aluminum Hub	Moldon Rubber Aluminum Hub	Full Pneumatic Zinc Steel Hub	Full Pneumatic Zinc Steel Hub
H-CQ Dimension - Floor to Platform Top	10.375"	12.125"	12.625"	14.625"
H-LD Dimension - Floor to Platform Top	9.375"	11.125"	11.625"	13.625"
Caster Height	7.75"	9.5"	10"	12"
Weight	26 lbs per set	28 lbs per set	26 lbs per set	34 lbs per set

Actual capacity of assembled platform is dependent upon caster capacity but should never exceed the platform's structural capacity, regardless of caster type.

Steel Platform Truck Features:

- Heavy duty 12 gauge steel reinforced welded construction.
- Constructed for both standard corner or diamond caster mounting pattern.
- Removable two cross-brace handle can be inserted in either end.
- Choose your caster. Platforms and casters sold separately, except #272265.
- All platforms include one handle. Additional handles available as an option. (except #272265)
- All listed capacities are based on evenly distributed loads.



Steel Platform Trucks

(Casters sold separately)

- 32" high handles from platform top.

		OVERALL DIMENSIONS					
w:	24"	24"	27"	30"	30"	36"	36"
h:	2"	2"	2"	2"	2"	2"	2"
d:	39.5"	48"	57.5"	51.5"	63.5"	63.5"	75.5"

Economy Steel Platform Truck

- Ships complete. Platform, one handle, four 5" x 1.25" casters.
- Deck height - 5.75", handle height - 41".
- Maximum capacity 750 lbs.

		OVERALL DIMENSIONS	
w:	24"	h:	41"
d:	42"		

Part #	272266	272267	272268	272269	272270	272271	272272	272265
Structural Capacity	NOT TO EXCEED 4,000 LBS							750 lbs
Platform W x L	24" x 36"	24" x 48"	27" x 54"	30" x 48"	30" x 60"	36" x 60"	36" x 72"	24" x 42"
Caster	chart selection	chart selection	chart selection	chart selection	chart selection	chart selection	chart selection	5" x 1.25" rubber
Weight	86 lbs	65 lbs	82 lbs	115 lbs	135 lbs	126 lbs	172 lbs	62 lbs

Actual capacity of assembled platform is dependent upon caster capacity but should never exceed the platform's structural capacity, regardless of caster type.

Caster Sets

- Each caster set contains 2 swivel and 2 rigid casters.

Part #	272191	272192	272193	272194	272195	272201	272202	272203	272197	272198	272199	272200
Set Capacity	1,600 lbs	2,500 lbs	4,000 lbs	1,600 lbs	1,600 lbs	1,600 lbs	1,800 lbs	2,200 lbs	N/A	N/A	N/A	N/A
Description	6" x 1.375" Polyolefin	8" x 2" Polyolefin	8" x 2" Moldon Polyurethane on cast iron hub	8" x 2.5" Full Pneumatic	10" x 3.5" Full Pneumatic	5" x 2" Moldon Rubber on cast iron hub	6" x 2" Moldon Rubber on cast iron hub	8" x 2" Moldon Rubber on cast iron hub	N/A	N/A	N/A	N/A
"H" Dimension Floor to Platform Top	9"	11.5"	11.5"	12.25"	14.00"	8.5"	9.5"	12.5"	N/A	N/A	N/A	N/A
Caster Height	7"	9.5"	9.5"	10.25"	12"	6.5"	7.5"	10.25"	N/A	N/A	N/A	N/A
Weight	9 lbs	31 lbs	42 lbs	31 lbs	40 lbs	32 lbs	29 lbs	39 lbs	15 lbs	16 lbs	17 lbs	19 lbs

Actual capacity of assembled platform is dependent upon caster capacity but should never exceed the platform's structural capacity, regardless of caster type.

Extra Handles for Trucks with

	24" Wide Platform	27" Wide Platform	30" Wide Platform	36" Wide Platform
--	-------------------	-------------------	-------------------	-------------------

Power Drive Platform Truck

- 47 1/4" turning radius.
- Deck height from floor: 12.375".
- Finger tip variable speed controller with forward and reverse modes. Illuminated battery status indicator.
- Key lock and emergency stop.
- Motor: 370 watts.
- Maximum climbing incline: 8° .
- (2) 12v 40 A.H. batteries and charger included.
- Charge time: 7-8hr. / Continuous run time: 6 hr.
- Motor controller: Curtis 110 amp.
- Front wheels: 10" pneumatic.
- Rear swivel polyurethane casters: 5" x 2".
- Reverse direction safety beeper and reduced speed in reverse for added safety.
- Full perimeter bumper helps prevent wall damage.
- Rear panel grid helps keep cargo in place.
- Durable white powder coat finish with black rubber deck mat.
- 43" handle height.
- Steel thickness 2.5 mm.



272416

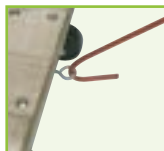


272413

OVERALL DIMENSIONS

w: 24"	24"	30"	30"
h: 43"	43"	43"	43"
d: 38.5"	50.5"	50.5"	62.5"

Part #	272413	272414	272415	272416
Capacity	1,100 lbs	1,100 lbs	1,100 lbs	1,100 lbs
Shelf Size	24" x 36"	24" x 48"	30" x 48"	30" x 60"
Wheel Type	10" Pneumatic	10" Pneumatic	10" Pneumatic	10" Pneumatic
Casters	5" x 2"	5" x 2"	5" x 2"	5" x 2"
Weight	243 lbs	254 lbs	276 lbs	300 lbs



Optional Tow Handle and Eye Hook
Part #272073



Solid Platform
272055



Flush Open Deck
272058



Open Deck
Carpet Ends
272060



Open Deck
Rubber Ends
272062

Wood Dollies

- 4 swivel casters/3" hard rubber or 4" hard plastic.
- Seasoned hardwood with flush top bolted construction.
- Optional tow handle and eye hook.
- Ships KD and boxed via ground service.

Description	Size	Part # 3" Casters (Weight / Capacity)		Part # 4" Casters (Weight / Capacity)	
Solid Platform	24" x 16"	272053	(18 lbs / 900 lbs)	272063	(20.5 lbs / 1,200 lbs)
	27" x 18"	272054	(20.5 lbs / 900 lbs)	272064	(23 lbs / 1,200 lbs)
	30" x 18"	272055	(23.5 lbs / 900 lbs)	272065	(26 lbs / 1,200 lbs)
	36" x 24"	272056	(32 lbs / 900 lbs)	272066	(34.5 lbs / 1,200 lbs)
Flush Open Deck	24" x 16"	272057	(14.5 lbs / 900 lbs)	272067	(17 lbs / 1,200 lbs)
	30" x 18"	272058	(16.5 lbs / 900 lbs)	272068	(19 lbs / 1,200 lbs)
	36" x 24"	272059	(21.5 lbs / 900 lbs)	272069	(24 lbs / 1,200 lbs)
Open Deck Carpet Ends	30" x 18"	272060	(16.5 lbs / 900 lbs)	272070	(19 lbs / 1,200 lbs)
	36" x 24"	272061	(18.5 lbs / 900 lbs)	272071	(21 lbs / 1,200 lbs)
Open Deck Rubber Ends	30" x 18"	272062	(18 lbs / 900 lbs)	272072	(20.5 lbs / 1,200 lbs)



270456



270461

Wire Caged Steel Platform Trucks

- Great for moving loose materials or small boxes.
- Two models, regular or heavy duty.
- Moldon non-marking TPR rubber wheels.
- Removable cages.
- Ships KD and boxed.
- Casters: two swivel, two rigid.

OVERALL DIMENSIONS

w: 23"	30"
h: 36"	40"
d: 35"	48"



270388

Commercial Quality Steel Panel Cart

- 8" Moldon non-marking TPR rubber wheels.
- Wraparound corner bumpers.
- Great for commercial applications.
- Casters: two swivel, two rigid.
- Removable side rails.

OVERALL DIMENSIONS

w: 30"
h: 37"
d: 48"



272227

Heavy Duty Greenline Steel Panel Carts

- Heavy duty steel platform and supports.
- 5" x 2" Moldon polyurethane casters, 2 swivel/2 rigid with brakes.
- 12 1/8" spacing between removable vertical supports.
- Ships KD.

OVERALL DIMENSIONS

w: 29"
h: 34"
d: 36"

Part #	270456	270461	270388	272227
Capacity	660 lbs	1,100 lbs	1,100 lbs	4,400 lbs
Platform/Deck Size	23" x 35"	30" x 48"	30" x 48"	29" x 36"
Handle Height	36"	40"	37"	34"
Deck Height	8.5"	11.5"	11.5"	10.5"
Caster Size	5" x 2"	5" x 2"	8" x 2"	5" x 2"
Weight	66 lbs	124 lbs	118 lbs	199 lbs

WESCO® ALUMINUM & STEEL U-BOATS



270339



273565

*Steel Shelf Option for 273291



273292



273296
Folding Handles



273291



273295

U-boats

- 8 models and a variety of sizes to suit your application.
- Painted steel, galvanized steel, aluminum, wood deck models available.
- Tilting and non-tilting models.
- Removable handles, except on folding handle model.
- 2 rigid center casters and 4 swivel end casters allow trucks to turn on their own radius. Provides easy maneuverability in narrow aisles and confined areas.
- **#273565 galvanized steel shelf option for #273291 U-boat only (16"W x 60"L). 350 lb. maximum capacity with evenly distributed load.**

*#273291 U-boat can handle two shelves.

OVERALL DIMENSIONS

	16"	16"	16"	18"	24"
w:	16"	16"	16"	18"	24"
h:	61"	61"	60"	60"	60"
d:	64"	63"	63"	63"	63"

Part Number	273296	270339	273291	273292	273295
Capacity	1,750 lbs	1,322 lbs	1,750 lbs	1,750 lbs	1,750 lbs
Platform (W x L)	16" x 59.5"	16" x 63"	16" x 60"	18" x 60"	24" x 60"
Material	Aluminum	Aluminum	Zinc Plated	Zinc Plated	Zinc Plated
Deck Type	Open	Open	Tread plate	Tread plate	Tread plate
Tilting	Yes	Yes	No	No	Yes
2 Rigid Wheels (center)	6" x 2" Polyurethane	6" x 2" Polyurethane	8" x 2" Polyurethane	8" x 2" Polyurethane	8" x 2" Polyurethane
4 Swivel Casters (ends)	5" x 1.25" Polyurethane	5" x 1.25" Polyurethane	4" x 1.25" Polyurethane	4" x 1.25" Polyurethane	4" x 1.25" Polyurethane
Deck (h) (at center)	9.5"	9.5"	10.75"	10.75"	10.75"
Height - Handle top	62"	61"	60"	60"	53.25"
Weight (lbs.)	63.5 lbs	91 lbs	97 lbs	109 lbs	116.5 lbs

TWO MODELS:
Deluxe - Best quality truck on the market.
Economy - For the price-conscious buyer



**Look
Pneumatic tires**

Steel Folding Handle Trucks

- Fold down handle for easy storage.
- Enameled finish with non-skid heavy vinyl deck surface.
- Protective vinyl perimeter bumpers.
- 4" & 5" caster wheels TPR non-marking rubber.
- Boxed and UPS shippable.

OVERALL DIMENSIONS - DELUXE SERIES			OVERALL DIMENSIONS - ECONOMY SERIES		
w: 19"	23"	23"	w: 19"	23"	23"
h: 32.5"	37.5"	43.5"	h: 32.5"	32.5"	38.5"
d: 29"	35"	35"	d: 29"	35"	35"



272263



270458

Telescoping Handle Platform Trucks

- Same high quality as our Deluxe Series folding handle platform trucks.
- With the push of a lever, the handle telescopes up or down.
- 4 position handle height adjustment provides stops at 32", 37", 41" and 44".
- Comfortably accommodates a wide range of user heights. Also acts as a support for taller loads.
- Handle folds down for storage or easy transport in car trunk.
- Boxed and UPS shippable.

ALL STAINLESS STEEL:
Handle, Platform



Stainless Steel Folding Handle Truck

- Fold down handle for easy storage.
- Caster: sealed bearing with stainless rig.
- TPR rubber non-marking caster wheels.
- Vinyl perimeter bumper.
- Boxed and UPS shippable.

OVERALL DIMENSIONS		OVERALL DIMENSIONS	
w: 19"	23"	w: 19"	22.5"
h: 32"- 44"	32"- 44"	h: 34.5"	34"
d: 29	35"	d: 29	34"

Part #	272019	272035	272235	272238	272239	278762	272262	272263	270457	270458
Model #	Deluxe	Deluxe	Deluxe	Economy	Economy	Economy	Deluxe	Deluxe	Deluxe	Deluxe
Capacity	440 lbs	660 lbs	660 lbs	275 lbs	400 lbs	400 lbs	440 lbs	660 lbs	440 lbs	770 lbs
Platform Size	19" x 29"	23" x 35"	23" x 35"	19" x 29"	23" x 35"	23" x 35"	19" x 29"	23" x 35"	19" x 29"	22.5" x 34"
Caster Size	4"	5"	8" Pneumatic	4"	5"	8" Pneumatic	4"	5"	2 swivel/2 rigid	2 swivel/2 rigid
	2 swivel/2 rigid	2 swivel/2 rigid	2 swivel/2 rigid	2 swivel/2 rigid	2 swivel/2 rigid	2 swivel/2 rigid	2 swivel/2 rigid	2 swivel/2 rigid	4" Stainless Rigs	4" Stainless Rigs
Handle Height	32.5"	37.5"	43.5"	32.5"	32.5"	38.5"	32"- 44"	32"- 44"	34.5"	34"
Weight	28 lbs	47 lbs	69.7 lbs	21 lbs	41 lbs	69 lbs	27 lbs	43 lbs	26 lbs	37 lbs



270382



Aluminum Folding Ergo-Handle Truck

- Ergonomic European style handle.
- Corner bumpers.
- Boxed and UPS shippable.

OVERALL DIMENSIONS

w: 24"
h: 41"
d: 35.5"



272076



Aluminum Folding Handle Truck

- TPR rubber non-marking caster wheels.
- Lightweight aluminum deck.
- Wrap around corner bumper.
- Boxed and UPS shippable.

OVERALL DIMENSIONS

w: 18.5" 24"
h: 34.5" 35.5"
d: 29" 35.5"



270389



Aluminum Folding Handle Long Deck Truck

- TPR rubber non-marking caster wheels.
- Lightweight aluminum deck.
- Wrap around corner bumper.
- Six 5" casters, four swivel on ends, two rigid in center.
- Boxed and UPS shippable.

OVERALL DIMENSIONS

w: 18.5"
h: 35.5"
d: 58.5"



272048

Aluminum Professional Series Telefolding Truck

- Deck extends from 21" to 29.5".
- Push button, quick conversion.
- Anti-impact, non-skid polypropylene and aluminum deck.
- Non-marking 4" moldon rubber wheels.
- Sponge rubber coated handle.
- Boxed and UPS shippable.

OVERALL DIMENSIONS

w: 17.5"
h: 36.5"
d: 21" - 29.5"



272250



Aluminum Economy Telefolding Truck

- Deck extends from 20" to 28".
- Full size platform truck that folds to briefcase size.
- Strong, lightweight aluminum frame.
- Protective vinyl corner bumpers.
- Boxed and UPS shippable.
- Rubber wheel with plastic hub.
- Swivel casters with brake.

OVERALL DIMENSIONS

w: 16"
h: 36.5"
d: 20" - 28"

Part #	270382	272076	272112	270389	272048	272250
Capacity	660 lbs	350 lbs	550 lbs	660 lbs	330 lbs	300 lbs
Platform W x L	24" x 35.5"	18.5" x 29"	24" x 35.5"	18.5" x 58.5"	17.5" x 21" - 29.5"	16" x 20" - 28"
Handle Height	41"	34.5"	35.5"	35.5"	36.5"	37.75"
Caster Size	7"	4"	5"	5"	4"	4"
	2 swivel/2 rigid	2 swivel/2 rigid	2 swivel/2 rigid	4 swivel/2 rigid	2 swivel/2 rigid	2 swivel w/brake/2 rigid
Weight	46 lbs	26 lbs	33 lbs	44 lbs	19 lbs	21 lbs



NSF® Approved

Stainless Steel Carts

- 430 Stainless Steel shelf and frame construction.
- NSF Approved.
- 4 swivel, zinc plated casters with non-marking rubber tread polyurethane hub wheels.
- 3 shelves
 - .040" thick
 - top and center 1" lip, 3 sides
 - bottom flat, no lip.
- Sound deadening aluminum pad on underside of top shelf.
- Welded construction.
- Protection bumpers on legs and handle.
- Shelves have reinforced hemmed front.
- Overall capacity based upon evenly distributed loads.*

		OVERALL DIMENSIONS			
w:	27.5" 30.75"	27.625"	31"	39.25"	
h:	32.125"	32"	32"	37.25"	
d:	16.25"	18.375"	16.75"	22.375"	

Steel Service Carts

- 500 lb. capacity, evenly distributed load.
- 5" x 1.25" hard rubber casters - 2 swivel, 2 rigid.
- 20 gauge steel trays and 14 gauge corner posts.
- 3.5" tray depth.
- Baked enamel paint finish.
- 2 sizes, 16" x 30" and 24" x 36".
- Top tray can be inverted for flat work surface.
- Drawer with roller glides for easy operation.
- Shipped KD and boxed.

		OVERALL DIMENSIONS			
w:	16" 16" 24" 24"				
h:	32" 3.5" 32" 3.5"				
d:	33" 30" 39" 39"				
		3rd tray		3rd tray	

Part #	260290	260291	260292	260293	260294	270166	270167	270168	270169
Model #	SS3C11	SS3C22	SS4C11	SS4C22	SS4C44	SC-1630	SCT-1630	SC-2436	SCT2-436
Overall Capacity	300 lbs	300 lbs	500 lbs	500 lbs	500 lbs	500 lbs	N/A	500 lbs	N/A
Shelf	100 lbs Cap.*	100 lbs Cap.*	166 lbs Cap.*	166 lbs Cap.*	166 lbs Cap.*	2	Optional	2	Optional
Shelf Size (L x W)	24" x 15.5"	27.125" x 17.625"	24" x 15.75"	27.375" x 18"	35.125" x 21"	16" x 30"	16" x 30"	24" x 36"	24" x 36"
Shelf Lip Height	1"	1"	1"	1"	1"	N/A	N/A	N/A	N/A
Distance Between Shelves	12.75"	13.25"	12.5" top/14.625" bottom	13" top/14.5" bottom	14.375" top/14.5" bottom	N/A	N/A	N/A	N/A
Caster Wheel	3.5" dia. .75" w	3.5" dia. .75" w	4" dia. .75" w	4" dia. .75" w	5" dia. 1.25" w	5" dia. 1.25" w	N/A N/A	5" dia. 1.25" w	N/A N/A
Weight	30.5 lbs	40 lbs	36 lbs	42 lbs	67 lbs	35 lbs	11 lbs	48 lbs	17 lbs

WESCO® PLASTIC SERVICE & PLATFORM CARTS



270434 cart with
270454 3rd tray



270434



270482



270483



270493
Flat Work Surface

Deluxe Plastic Service Cart

- 550 lb. capacity, evenly distributed load.
- Available in two sizes: 16" x 30" and 24" x 36".
- Optional 3rd shelf.
- Heavy duty construction resists chips, dents, and rust.
- Push handle has compartments to accommodate a variety of tools, labels, small parts, etc.
- Shipped KD, boxed, and includes 5" non-marking casters - 2 swivel, 2 rigid.
- Caster wheels; 5" TPR (thermoplastic rubber tread) molded onto polypropylene hub.
- Shelf depth 2.625".

OVERALL DIMENSIONS

w:	16.5"	16.5"	25"	25"
h:	33.5"	4.125"	35.5"	4.125"
d:	37.5"	31"	43.5"	37.25"

Standard Plastic Service Cart

- 500 lb. maximum capacity, evenly distributed load.
- Available in two sizes: 16" x 30" and 24" x 36".
- Optional 3rd shelf.
- Shipped KD, boxed, and includes 5" non-marking casters - 2 swivel, 2 rigid.
- Caster wheels; 5" TPR (thermoplastic rubber tread) molded onto polypropylene hub.
- Very economical.
- Shelf depth 2.625".

OVERALL DIMENSIONS

w:	17.375"	17.375"	25.5"	25.5"	25.5"
h:	32.5"	4.125"	32.5"	4.125"	32.5"
d:	34.25"	34.25"	40.25"	40.25"	40.25"

Part #	270433	270453	270434	270454	270482	270484	270483	270485	270493
Model #	DPC-1630	DES-1630	DPC-2436	DES-2436	SD-1630	SDES-1630	SD-2436	SDES-2436	SDF-2436
Capacity	550 lbs	N/A	550 lbs	N/A	500 lbs	N/A	500 lbs	N/A	500 lbs
No. of trays	2	Optional	2	Optional	2	Optional	2	Optional	2
Description	Service cart	3rd tray	Service cart	3rd tray	Cart	3rd tray	Cart	3rd tray	Flat top cart
Dimensions	16" x 30"	16" x 30"	24" x 36"	24" x 36"	16" x 30"	16" x 30"	24" x 36"	24" x 36"	25.5" x 34"
Weight	37 lbs	9 lbs	50 lbs	13 lbs	36 lbs	9 lbs	49 lbs	13 lbs	43 lbs

Economy Plastic Service Cart

- 330 lb. maximum capacity, evenly distributed load.
- Optional 3rd shelf.
- Shipped KD, boxed, and includes 5" non-marking casters - 2 swivel, 2 rigid.
- Value priced.
- Caster wheels; 5" TPR (thermoplastic rubber tread) molded onto polypropylene hub.
- Shelf depth 2".



270494

OVERALL DIMENSIONS

w:	17.25"	17.25"
h:	30.635"	3.125"
d:	34"	34"

Part #	270494	270496
Model #	EPC-1630	EES-1630
Capacity	330 lbs	N/A
No. of Trays	2	Optional
Description	Cart	3rd tray
Dimensions	16" x 30"	16" x 30"
Weight	36 lbs	9 lbs

Value Plastic Platform Trucks

- Economically priced.
- Fixed and folding handle designs.
- Plastic platform with steel handle.
- Steel reinforced platform.
- Platform height - 8".



272281



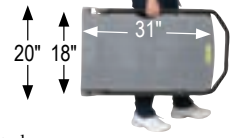
OVERALL DIMENSIONS

w:	19.25"	22"
h:	34.5"	34.5"
d:	27.5"	33.5"

Part #	272281	272282
Capacity	265 lbs	265 lbs
Folded (H x W x D)	N/A	N/A
Wheel Size	5" x 1" rubber caster	5" x 1" rubber caster
Platform W x D	119.25" x 22.25"	22" x 30.5"
Handle Type	34.5" fixed	34.5" fixed
Construction	Plastic	Plastic
Weight	20 lbs	26.5 lbs

Bi-Mode Poly Folding Handle Truck

- Push/Pull mode - handle is tilted allowing truck to be pulled or pushed.
- Dolly mode - handle folds flush with surface of deck allowing truck to be used as a dolly without cargo coming in contact with handle. Cargo stays flat and secure on deck.
- Casters—two swivel, two rigid 5" non-marking rubber wheels.



272946



OVERALL DIMENSIONS

w:	20"
h:	37.5"
d:	34"

Part #	272946
Capacity	400 lbs
Folded (H x W x D)	2.5" x 20" x 34"
Wheel Size	5" swivel caster
Platform W x D	20" x 31"
Handle Type	37.5" folding
Construction	Polyurethane
Weight	24 lbs



272228
Standard Compact
Office Cart



272231
Deluxe Large
Office Cart



272230
Deluxe Compact
Office Cart

Wire Office Carts

- Ideal for carrying hanging files (letter and legal) mail, packages and tools.
- Swivel casters.
- Removable baskets.
- 1" diameter, 18 gauge tubular construction.
- All metal surfaces plated for long life.
- Shipped KD and boxed via UPS.

	OVERALL DIMENSIONS	
w: 20"	23.75"	23.75"
h: 37.5"	38.25"	38.5"
d: 33"	33.5"	43"



272233

Foldaway Table Top Cart

- Folds for easy storage.
- Ideal for transporting instruments and office equipment.
- Laminate surface with vinyl edge.
- Four 4" swivel ball bearing casters.
- Lower basket: 21" x 13".

	OVERALL DIMENSIONS
w: 19"	
h: 28.75"	
d: 28"	



272079

Office Caddy

- Multi-purpose service truck ideal for offices and service vehicles.
- Fits in most car trunks.
- Easily converts for use as a four wheel rolling table or two or four wheel hand truck.
- 7 possible positions.
- Oak color top with vinyl edge.
- 8" x 1.75" easy roll semi-pneumatic wheels and 2.5" hard rubber swivel casters.

	OVERALL DIMENSIONS
w: 19"	
h: 55"	
d: 18"	

Part #	272228	272230	272231	272233	272079
Capacity	200 lbs	200 lbs	250 lbs	200 lbs	as 2 wheel truck: 200 lbs as 4 wheel truck: 400 lbs as 4 wheel table: 100 lbs
Basket/Table Size	25" x 17.25 x 11"	25 x 17.25" x 11"	36 x 17.25" X 11"	28" x 19"	19" x 23.5"
Lower Basket	25" x 17.25" x 7.5"	25 x 17.25" x 7.5"	36 x 17.25" X 7.5"	N/A	N/A
Handle Height	N/A	N/A	N/A	N/A	55"
Deck Height	N/A	N/A	N/A	28.75"	32"
Collapsed Size	N/A	N/A	N/A	6"	11.5"
Raised Height	N/A	N/A	N/A	N/A	N/A
Lowered Height	N/A	N/A	N/A	N/A	N/A
Caster Size	4" hard rubber	5" hard rubber	5" hard rubber	4"	2.5"
Wheel Size	4" hard rubber	10" semi-pneumatic	10" semi-pneumatic	N/A	8" x 1.75"
Weight	41 lbs	49 lbs	62 lbs	32 lbs	42 lbs



220646

WESCO® lightweight folding trucks



Mega Mover
220650

Maxi Mover
220649

SuperLite
220617

Mini Mover
220646

Mega Mover, Maxi Mover, Superlite & Mini Mover Folding Trucks

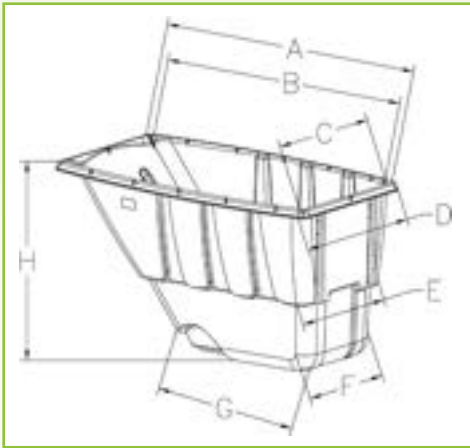
- Space saving folding design. Fits into small storage spaces or car trunks.
- Elastic straps for securing load.
- Aluminum or steel construction.
- **Non-marking wheels.**
- Mini Mover fits into overhead airline compartments.

OVERALL DIMENSIONS EXTENDED

w: 26.5"	19"	19"	15.5"
h: 47"	42"	42"	41"
d: 25.5"	19"	19"	17.5"

Part #	220650	220649	220617	220646
Capacity	550 lbs	275 lbs	175 lbs	110 lbs
Folded (H x W x D)	34" x 23.5" x 4.75"	29.5" x 19" x 2"	29.5" x 19" x 2"	24" x 15.25" x 2"
Wheel Size	8" x 2.5" pneumatic wheel	7" x 1.5" rubber tread / poly hub	7" x 1.5" rubber tread / poly hub	5" x 1.25" rubber tread / poly hub
Noseplate/Platform Dimensions (W x D)	23.5" x 18" Noseplate	19" x 12" Noseplate	19" x 12" Noseplate	15" x 12.5" Noseplate
Handle Type	34" - 47"	29.5" - 42"	29.5" - 42"	24" - 41"
Construction	Aluminum	Steel	Aluminum	Aluminum
Weight	33 lbs	14 lbs	11.5 lbs	9 lbs





Fork Pocket



**272577
Standard/Recycle**



**272575
Utility**



**272583
Standard**

Tilt Carts

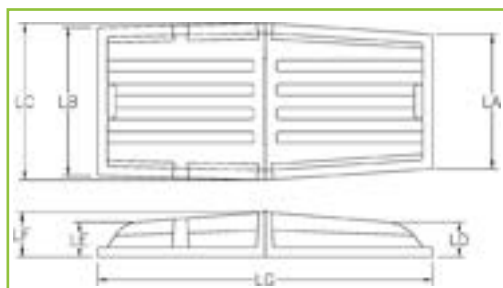
- Heavy-duty, molded, FDA compliant material, polyethylene bin.
- Easy to move and dump.
- Wheels: 10" x 2.75" / 12" x 3" black rubber tread tire, molded to polyolefin hub.
- Swivel casters, polyurethane wheels.
- 1/2 and 1 cubic yard bins.

- All models include bin, frame, handle, wheels and casters.
- Optional black polyethylene hinged lids: #272586 - 1/2 cu. yd. and #272587 - 1 cu. yd. (304 stainless hinge).
- Four grades: utility, standard, heavy duty and forklift.
- **Blue recycle** 1/2 cubic yard bin available: #272577.

Part #	272575	272576	272577	272578	272579	272580	272581	272582	272583	272584	272585
Model #	1/2 U450B	1/2 S850B	1/2 S850BLRC	1/2 S850R	1/2 HD1400B	1/2 FL850B	1U850B	1S1250B	1S1250R	1HD2100B	1FL1250B
Type	Utility	Standard	Standard/Recycle	Standard	Heavy Duty	Fork Lift	Utility	Standard	Standard	Heavy Duty	Fork Lift
Cubic Yard	1/2	1/2	1/2	1/2	1/2	1/2	1	1	1	1	1
Capacity	450 lbs	850 lbs	850 lbs	850 lbs	1,400 lbs	850 lbs	850 lbs	1,250 lbs	1,250 lbs	2,100 lbs	1,250 lbs
Color	Black	Black	Blue	Red	Black	Black	Black	Black	Red	Black	Black
Wheel	10" x 2.75"	10" x 2.75"	10" x 2.75"	10" x 2.75"	12" x 3"	12" x 3"	10" x 2.75"	12" x 3"	12" x 3"	12" x 3"	12" x 3"
Caster	(2) 4" x 1.5"	(2) 3" x 1.25"	(2) 3" x 1.25"	(2) 3" x 1.25"	(2) 4" x 2"	(1) 4" x 2"	(2) 4" x 1.25"	(2) 4" x 1.25"	(2) 4" x 1.25"	(2) 4" x 2"	(2) 4" x 2"
DIMENSIONS											
A,B	60.75", 57"	61.5", 57"	61.5", 57"	61.5", 57"	61.5", 57"	61.5", 57"	72.5", 69"	72.75", 69"	72.75", 69"	72.75", 69"	73.75", 69"
C,D	21.5", 26.5"	21.5", 26.5"	21.5", 26.5"	21.5", 26.5"	21.5", 26.5"	21.5", 27"	24.5", 29.25"	24.5", 29.25"	24.5", 29.25"	24.5", 29.25"	24.5", 29.25"
E,F	18.75", 16"	18.75", 16"	18.75", 16"	18.75", 16"	18.75", 16"	18.75", 16"	22", 19.25"	22", 19.25"	22", 19.25"	22", 19.25"	22.5", 19.25"
G,H	29", 31"	29", 31"	29", 31"	29", 31"	29", 31"	29", 31"	37", 37"	37", 37"	37", 37"	37", 37"	37", 37"
Overall Height	36.5"	36.5"	36.5"	36.5"	37.5"	37.25"	43"	43"	43"	43.25"	43.5"
Weight	51 lbs	65.5 lbs	65.5 lbs	65.5 lbs	83.5 lbs	88 lbs	74 lbs	94.5 lbs	94.5 lbs	107.5 lbs	119 lbs

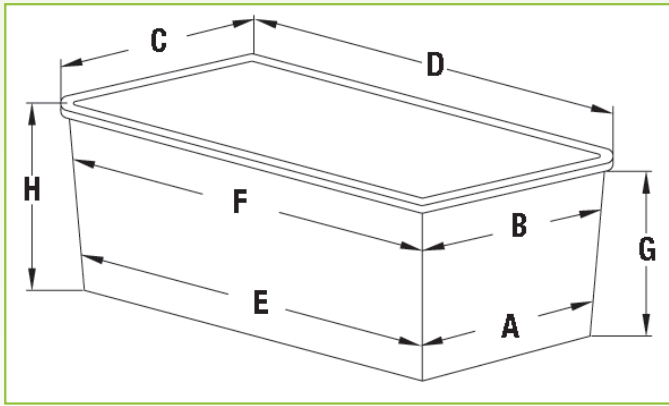


1/2 and 1 Cubic Yard Lids



Lid Part #	272586	272587
Size	1/2 Cu. Yd.	1 Cu. Yd.
LA, LB, LC	24", 26.5", 28.375"	27.125", 29", 33.125"
LD, LE, LF, LG	6.5", 6.25", 7.5", 6.1"	6.625", 6.625", 8.25", 7.150"
Weight	11 lbs.	16.5 lbs

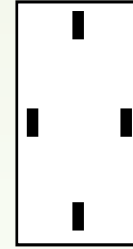
WESCO® PLASTIC BOX TRUCKS



Standard
Caster
Pattern



OR
Diamond
Caster
Pattern



To order the diamond caster pattern, add DP to Part #. Example: 272513DP.



Look!
8" Pneumatic Casters

Plastic Box Trucks

- Material: polyethylene.
- Five sizes and color choices.
- Two caster choices: 5" Polyurethane or 8" Pneumatic. Two swivel, two rigid mounted on 5-Ply Plywood base for extra rigidity (except 4 bushel models).
- Can ship KD and nested on quantity orders.
- Caster pattern Standard or Diamond.
- White color, only, produced from FDA compliant polyethylene material.***

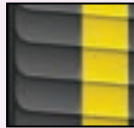
5" caster adds 6.75" to height, except 4 bushel adds 6"

8" caster adds 10.75" to height, except 4 bushel adds 10"

	32 gal. 4 bushels	64 gal. 8 bushels	96 gal. 12 bushels	128 gal. 16 bushels	160 gal. 20 bushels
Capacity	350 lbs	450 lbs	550 lbs	600 lbs	600 lbs
Dimensions (inches): A-B-C-D E-F-G-H	17 - 17.75 - 20.75 - 32 27.75 - 29 - 13.75 - 15.25	19 - 21 - 24 - 35 30 - 31.75 - 21.5 - 23	22.75 - 25 - 28 - 38 33 - 35 - 27 - 28.25	24.25 - 27 - 30 - 42 36 - 38 - 28.25 - 29.75	28 - 30.75 - 34 - 46 39.75 - 43 - 31.25 - 33
Weight: Tub Only	10 lbs	16.5 lbs	25 lbs	33 lbs	42.5 lbs
Weight: Assembled Tub					
5" Caster	20 lbs	43 lbs	50 lbs	54 lbs	65 lbs
8" Caster	24 lbs	47 lbs	54 lbs	58 lbs	69 lbs
GREY Part #: 5" Caster	272503	272508	272513	272518	272523
8" Caster	272530	272531	272532	272533	272534
BLUE Part #: 5" Caster	272504	272509	272514	272519	272524
8" Caster	272535	272536	272537	272538	272539
* WHITE Part #: 5" Caster	272505	272510	272515	272520	272525
8" Caster	272540	272541	272542	272543	272544
RED Part #: 5" Caster	272506	272511	272516	272521	272526
8" Caster	272545	272546	272547	272548	272549
YELLOW Part #: 5" Caster	272507	272512	272517	272522	272527
8" Caster	272550	272551	272552	272553	272554



SINCE 1948

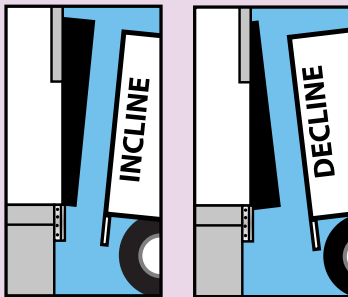


**Heavy Duty Standard 40 OZ
w/Optional Wear Pleats - 8' x 8', 10" Projection
Part #276056**



**Heavy Duty Standard 40 OZ
8' x 8', 10" Projection
Part #276050**

CALL US WITH YOUR SPECIFICATIONS!



**Tapered Units for Incline/Decline
Approach are Available**

*Let Wesco's team of professionals assist you with **custom sizes and features**. Blue, green or brown color options are available, as well.*



**Heavy Duty Standard 40 OZ
w/Top Curtain and Optional Wear Pleats
8' x 10', 10" Projection - Part #276060**

Dock Seals

- 40 oz high-tear-abrasion-resistant fabrics
- Double lock stitched seams
- Kiln dried superior grade backing lumber
- 99% Memory Foam core for extended life
- Fixed head pad provides maximum seal
- Condensation drainage system
- Full height yellow guide strips
- Galvanized mounting hardware included
- 10" and 20" projections - standard (Call for more options.)
- Models available with replaceable wear pleats
- Blue, green or brown color options available



Part #	276050	276051	276052	276053	276054	276055
Model #	DS-9696-10	DS-9696-20	DS-96108-10	DS-96108-20	DS-96120-10	DS-96120-20
Description	Heavy Duty 40 oz.	Heavy Duty 40 oz.	Heavy Duty 40 oz.	Heavy Duty 40 oz.	Heavy Duty 40 oz.	Heavy Duty 40 oz.
Door Width	8'	8'	8'	8'	8'	8'
Door Height	8'	8'	9'	9'	10'	10'
Projection	10"	20"	10"	20"	10"	20"
Weight	280 lbs	300 lbs	280 lbs	300 lbs	280 lbs	300 lbs

Part #	276056	276057	276058	276059	276060	276061
Model #	DS-9696-10-P	DS-9696-20-P	DS-96108-10-P	DS-96108-20-P	DS-96120-10-P	DS-96120-20-P
Description	w/Wear Pleats	w/Wear Pleats	w/Wear Pleats	w/Wear Pleats	w/Wear Pleats	w/Wear Pleats
Door Width	8'	8'	8'	8'	8'	8'
Door Height	8'	8'	9'	9'	10'	10'
Projection	10"	20"	10"	20"	10"	20"
Weight	280 lbs	300 lbs	280 lbs	300 lbs	280 lbs	300 lbs



272240

UL Approved Dock Lights

- Spring-loaded pushup socket for easy bulb changing.
- 7 gauge wall mount standard.
- 18" two speed fan accessory.
- Use with incandescent lamps or LED only: PAR-38: up to 150W. R40: up to 300W.
- For indoor use.
- Ready for hardwiring or plug attachment.
- 272328 & 272329 arm and fan only (NO LIGHT). Fan has a 62" long cord with a 3 prong plug. Fan plugs directly into outlet. No hard wiring or plug attachment required. On & Off switch on fan.



Light with fan kit installed
272340

Part #	272224	272240	272260	272290	272330	272328	272329	272340	272360
Description	24" Light	40" Light	60" Light	90" Light	Fan only	Fan with 40" arm	Fan with 60" arm	Light & fan w/40" arm	Light & fan w/60" arm
Weight	15.5 lbs	17.7 lbs	22 lbs	31 lbs	20 lbs	41 lbs	45 lbs	38 lbs	39 lbs



272286

Universal Strapping Truck

- Automatic brake to reduce strap spillage.
- Tray for storing tools and seals.
- Handles steel and non-metallic strapping.
- Accepts 3", 6" and 8" face coils; 8" and 16" core sizes.
- 10" x 1.75" steel semi-pneumatic wheel.

OVERALL DIMENSIONS

w: 27"
h: 39"
d: 25"



272008



272009

Poly Strapping System

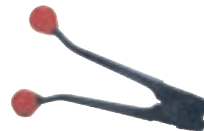
- Tools for tightening and sealing poly and plastic strap.
- High quality tensioner tightens and cuts .5" to .625" plastic strap.

BOXED OVERALL DIMENSIONS

w: 4.25" 4.25" 4.25"
h: 3" 1.5" 1.5"
d: 10.75" 17" 17"



272011



272024

Steel Strapping System

- Tools for tightening and sealing steel banding.
- Cast steel tensioner for most sizes (.375" to .75").

BOXED OVERALL DIMENSIONS

w: 4" 6.25" 6.25" 6.25"
h: 3.5" 1.75" 1.75" 1.75"
d: 15.5" 13.5" 13.5" 13.5"



272015

Strap Cutters

- One hand operation.

BOXED OVERALL DIMENSIONS

w: 1.75"
h: 1.75"
d: 12"



272022

Tensioner/Crimper

- Push/windless type for steel strapping.
- With cutter and hammer knob for seal closing.
- For use with wing seals.
- Use for on .375" - .75" wide and up to .030" thick steel strap.

BOXED OVERALL DIMENSIONS

w: 4"
h: 2.5"
d: 12.75"

Part #	272286	272008	272009	272010	272011	272023	272024	272025	272015	272022
Description	Truck	Tensioner	Sealer	Sealer	Tensioner	Sealer	Sealer	Sealer	Deluxe	Tensioner/Crimper
Size	N/A	.375" - .75"	.5" only	.625" only	.375" - .75"	.375" only	.5" only	.75" only	up to .75"	.375" - .75"
Weight	54 lbs	3 lbs	4 lbs	4 lbs	5 lbs	2 lbs	2 lbs	2 lbs	2 lbs	3.25 lbs



272957



272955



272956

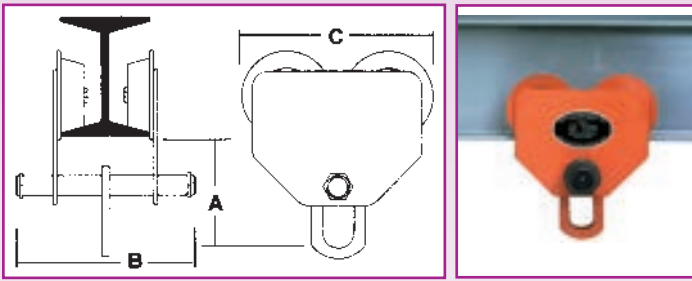
Trailer Stabilizing Jacks

- High strength steel construction.
- Adjustable height for leveling of trailers parked on uneven ground.
- Broad base prevents trailer dollies from sinking into soft surfaces.
- Prevents up-ending of semi-trailers when not connected to a truck during loading/unloading.
- **TSJE Economy**, manually turned ACME threaded screw raises and lowers jack. 14" dia. base, 5" x 5" top plate.
- **TSJS Standard**, ratchet with ACME threaded screw raises and lowers jack. 14" diameter x 1/2" thick base plate, 8" semi-pneumatic wheels. 8" diameter top plate.
- **TSJHD Heavy duty**, two way reversible hand ratchet, 6" x 24" long beam, 5" triangular base, 8" semi-pneumatic wheels, and 4" semi-steel wheels.
- **Wesco recommends always using at least two jacks per trailer. Meets OSHA requirements.**

OVERALL DIMENSIONS

	272957	272955	272956
w:	13.75"	13.75"	14.5"
h:	44"-51"	39.5" - 51"	39.5" - 51"
d:	13.75"	13.75"	26.5"

Part #	272957	272955	272956
Model #	TSJE	TSJS	TSJHD
Static Capacity	50,000 lbs	100,000 lbs	100,000 lbs
Lifting Capacity	5,000 lbs	40,000 lbs	50,000 lbs
Service Range	44" - 51"	39.5" - 51"	39.5" - 51"
Weight	45 lbs	125 lbs	160 lbs

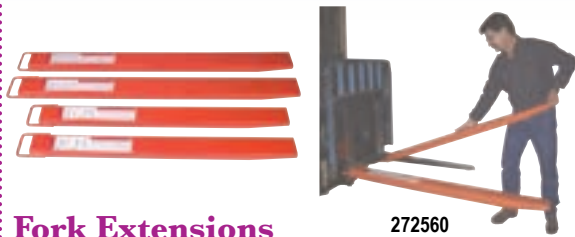


272159

Wesco Trolleys

- Heavy duty trolleys designed for flexibility of installation.
- Usable on straight or curved track.
- Adjusts for wide variety of beam widths; simply remove end nut and adjust spacers.
- Can be installed or removed from any point in the track.

Part #	272158	272159	272160	272161	272162
Capacity	1,000 lbs	2,000 lbs	4,000 lbs	6,000 lbs	10,000 lbs
Fits I-Beam Flange Width	3.5" to 5.5"	3.5" to 5.875"	4.125" to 7"	4" to 7"	5" to 7"
A	4"	5"	5.75"	6.75"	7.75"
B	10.25"	12.5"	13.25"	14"	14.625"
C	7.875"	9.5"	11.375"	13.25"	15.375"
Weight	18 lbs	31 lbs	48 lbs	76 lbs	104 lbs



272560

Fork Extensions

- Heavy duty welded steel construction.
- Steel restraining strap prevents extensions from sliding off fork.
- Sold in pairs.
- Maximum lift truck fork thickness 2".

NOTES:

1. OSHA requires contacting the manufacturer of your fork truck for written approval for the use of any fork truck attachment.
2. OSHA standards require that the length of fork extensions do not exceed the lift truck fork length by more than 50%. (e.g., Fork extension used on 48" long lift truck forks should not exceed 72".)
3. The use of extensions effect lift truck capacity. Contact lift truck manufacturer for load capacity reductions.

	OVERALL DIMENSIONS				
w:	6.75"	6.75"	7.75"	7.75"	8.75"
h:	2.375"	2.375"	2.375"	2.375"	2.375"
d:	63.375"	75.375"	63.375"	75.375"	75.375"

Part #	272558	272559	272560	272561	272562
Capacity	N/A	N/A	N/A	N/A	N/A
Size	4" x 60"	4" x 72"	5" x 60"	5" x 72"	6" x 72"
Fits Fork Width	4"	4"	5"	5"	6"
Weight	95 lbs	114 lbs	108 lbs	121 lbs	139 lbs

Battery Transfer Cart

- For use with a standard pallet truck (sold separately).
- Pallet trucks easily locate in 6.75" W x 3.5" H fork pockets.
- One person can easily remove and replace forklift batteries.
- (12) 2.25" diameter steel rollers.
- Swing tabs help to hold battery in place while on rollers.
- Winch with 2" wide nylon belt and safety latch hook.
- Height to top of rollers 6.5".
- Platform roller base:
I.D. 26.75" W x 43.25" L.
O.D. 27.25" W x 43.625" L.
- Adjustable winch height:
Lowered - 29.625".
Raised - 35.50".



OVERALL DIMENSIONS	
w:	27.25"
h:	41.50"
d:	55.875"

Part #	274260
Model #	BAT-TC
Capacity	4,000 lbs
W x L	26.75" W x 43.25" L (usable deck)
Weight	131 lbs



272571

Foldable Maintenance Platform

- (4) swivel casters - 4" x 1.5" moldon polyurethane.
- Fork Pockets: 7.75"W x 3.5"H. Centers: 26".
- Replacement **caster set #272572**, 13.2 lbs.

OVERALL DIMENSIONS	
w:	37.5"
h:	81" w/o casters; 87.25" w/casters
d:	42.25"

Part #	272571
Capacity	600 lbs
Platform Deck	37" x 37" I.D.
Fits Fork Width	N/A
Weight	220 lbs



Part No.	Model	Diameter	Hub Type	Tread Width	Hub Length	Bore Id	Approx. Weight	Bearing Type	Capacity Lbs.
Cellular Foam Wheel (Microcellular Polyurethane will not go flat.)									
053446	CF	10"	Steel	3"	2.25"	.625"	5 LBS.	BALL	280
053490	CFB	10"	Steel	3"	2.25"	.75"	5 LBS.	BALL	280
Solid Rubber Wheels									
150698	Z2	10"	Poly	2.75"	2.25"	.625"	5 LBS. 12 OZ.	BALL	550
150697	Z8	8"	Poly	2.0"	2.25"	.625"	3.5 LBS.	BALL	300
108479	SR	10"	Poly	2.5"	2.25"	.625"	9 LBS.	BALL	250
109486	Z-12	12"	Poly	3"	3.25"	.625"	8 LBS.	BALL	750
Semi-Pneumatic Wheels									
052859	Z8B	8"	Poly	2.5"	2"	.75"	4.25 Lbs.	Ball	250
150589	Z	10"	Zinc/Steel	2.75"	2.25"	.625"	6.25 Lbs.	Ball	350
Pneumatic Wheels									
050602	P	10"	Zinc/Steel	3.50"	2.25"	.625"	4 LBS.	BALL	350
108478	PB	10"	Zinc/Steel	3.50"	2.25"	.75"	4 LBS.	BALL	350
108484	P-12	12"	Zinc/Steel	4"	3.25"	.75"	7 LBS.	BALL	460
151507	PWT	10"	Zinc/Steel	3.625"	2.25"	.625"	4 LBS.	BALL	350
151551	PE	10"	Zinc/Steel	3.50"	2.25"	.625"	3.5 LBS.	BALL	350
Aluminum Center Moldon Rubber Wheels									
050567	A	6"	Solid	2"	2.375"	.625"	2.5 LBS.	BALL	500
053706	AB	6"	Solid	2"	2.1875"	.625"	2.5 LBS.	ROLLER	500
053707	-	6"	Solid	2"	2.1875"	.75"	2.5 LBS.	ROLLER	500
052870	RB	8"	Solid	1.625"	2"	.75"	3 LBS.	BALL	500
108545	R	8"	Solid	1.625"	2"	.625"	3 LBS.	BALL	500
052868	H-1B	8"	Solid	2"	2.25"	.75"	3.75 LBS.	BALL	550
053708	H-1R	8"	Solid	2"	2.1875"	.625"	3.75 LBS.	ROLLER	600
150131	H-1RB	8"	Solid	2"	2.1875"	.75"	3.75 LBS.	ROLLER	600
108561	R3	8"	Spoke	1.625"	1.625"	.625"	2.5 LBS.	BALL	300
Balloon Cushion Wheels									
*150228	BC-10	10"	Poly	2.165"	2.25"	.625"	4 LBS. 12 OZ.	BALL	300
*150229	BC-8	8"	Poly	2.165"	2.25"	.625"	2 LBS. 12 OZ.	BALL	300
050566	RK-8	8"	Poly	2.25"	2.25"	.750"	3 LBS. 10 OZ.	BALL	450
Cast Iron Center Moldon Rubber Wheels									
053722	-	5"	Iron	2"	2.1875"	.75"	3.25 LBS.	ROLLER	500
108838	-	6"	Iron	1.5"	2"	.75"	3.50 LBS.	BALL	400
108839	-	6"	Iron	1.5"	2"	.625"	3.50 LBS.	BALL	400
053723	-	6"	Iron	2"	2.1875"	.625"	4.25 LBS.	ROLLER	500
053724	-	6"	Iron	2"	2.1875"	.75"	4.25 LBS.	ROLLER	500
050579	H	8"	Iron	2"	2.1875"	.625"	6.25 LBS.	ROLLER	600
150120	HB	8"	Iron	2"	2.1875"	.75"	6.25 LBS.	ROLLER	600
150596	BT	10"	Iron	2.5"	2.75"	1.00"	13.75 LBS.	ROLLER	800
Moldon Polyurethane on Polypropylene Hub									
053730	PP10	10"	Poly	2.5"	2.75"	1.00"	6 LBS.	ROLLER	1200
053733	PP8	8"	Poly	2"	2.1875"	.75"	2.5 LBS.	BALL	800
Polyolefin Center Moldon Rubber Wheel									
150692	R2	8"	Poly	1.625"	2.187"	.625"	1 LB.	PLAIN	375
Solid Polyolefin Wheels									
150103	CWP-1	2.5"	Poly	1.125"	1.25"	.5"	2.5 OZ.	PLAIN	200
150197	-	3"	Poly	1.25"	1.56"	.375"	3 OZ.	PLAIN	300
101355	-	4"	Poly	1.25"	1.56"	.5"	5 OZ.	PLAIN	350
108300	CT-3	5"	Poly	1.5"	1.62"	.5"	8 OZ.	PLAIN	400
150693	E-2	6"	Poly	1.5"	1.625"	.625"	13 OZ.	PLAIN	500
150204	-	8"	Poly	2"	2.25"	.75"	2 LBS.	PLAIN	600
150691	BTW	10"	Poly	2.25"	2.75"	1.00"	2.5 LBS.	PLAIN	750
Phenolic Resin Wheels**									
053902	-	5"	Phenolic	2"	2.1875"	.625"	1.75 LBS.	ROLLER	1000
053769	-	5"	Phenolic	2"	2.1875"	.75"	1.75 LBS.	ROLLER	1000
053903	-	6"	Phenolic	2"	2.1875"	.625"	2.5 LBS.	ROLLER	1200
053770	-	6"	Phenolic	2"	2.1875"	.75"	2.5 LBS.	ROLLER	1200*

* BC-8 is gray non-marking TPR rubber. BC-10 is charcoal-gray non-marking TPR rubber.
 ** Phenolic resin wheels are non-marking.

BLUFF YARD RAMPS

BLUFF steel yard ramps work for loading from ground to dock or ground to truck, and can be portable or stationary. Capacity options start at 16,000 lbs.



BLUFF PORTABLE DOCK/STEEL PLATFORM

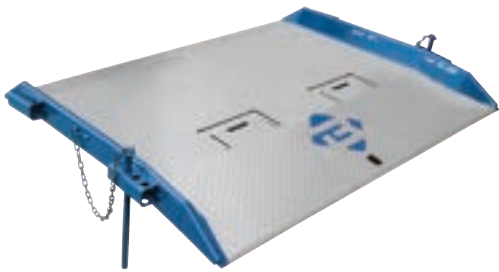
Can be used in conjunction with a yard ramp, or as a free standing feature to increase loading capabilities.



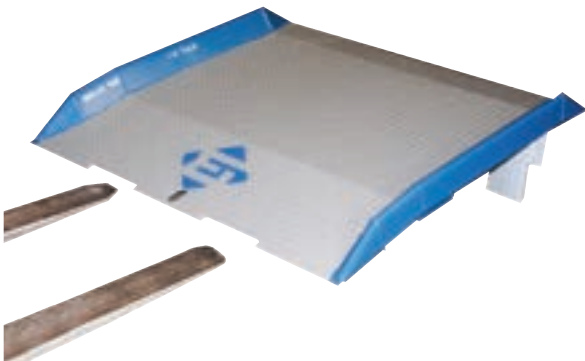
BLUFF STEEL TRUCK DOCK BOARDS

Provide an easy transition between a dock and truck. Standard capacities from 15,000 to 40,000 lbs.

MODEL T STEEL DOCK BOARD



SPEEDY BOARD® STEEL DOCK BOARD



MODEL R STEEL RAIL DOCK BOARD

Bridge the gap between a dock and railcar for safe loading and unloading of rail shipments. Capacities available from 15,000 to 90,000 lbs. Worksheet required.



BLUFF EDGE OF DOCK LEVELERS

Correct the height difference between dock and trailer bed with a BLUFF EOD, while providing an easy transition. Capacities from 20,000 to 30,000 lbs.



BLUFF ALUMINUM DOCK BOARDS AND DOCK PLATES

ALUMINUM DOCK BOARDS

Ideal for low to medium dock loading applications, designed for use with forklifts or pallet jacks. Capacities from 10,000 to 15,000 lbs.



ALUMINUM DOCK PLATES

Lightweight plate used to transition between a truck and dock, for use with hand trucks, pallet jacks or dollies. Not forklift rated.



BLUFF CONVEYOR CROSSOVERS

Create a safe method for personnel to cross over busy conveyors. Worksheet required.



BLUFF MEZZANINE STRUCTURES

Value engineered mezzanine solutions create vertical space that can be used to create in-plant offices, observation or equipment platforms, work stations, storage areas or conveyor supports. Many add-on options available. Worksheet required.



BLUFF CANTILEVER RACK

Maximize space both vertically and horizontally with a Bluff cantilever rack. Worksheet required. (Shown in photo with Guide Rail protection.)



BLUFF WHEEL RISERS

Eliminate unsafe below dock loading conditions with the use of wheel risers. Available in aluminum or steel. Worksheet required.



BLUFF SAFETY EQUIPMENT

Protect valuable warehouse equipment and structures using Bluff's diverse offering of safety products. Powder coated safety yellow, with other standard color options available.



BOLLARD



MODULAR PROTECTIVE BARRIER



POST PROTECTOR



DOOR TRACK GUARD



MACHINE GUARD



RACK GUARD

TUFF GUARD SAFETY RAIL



PIPE GUARD

NORDOCK® DOCK LEVELERS

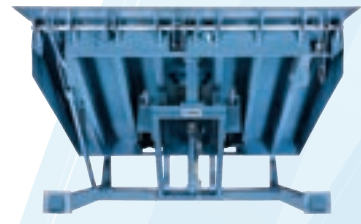
NORDOCK® offers a complete line of dock levelers that provide unequalled strength, reliability and ease-of-use with industry leading innovations. Pit levelers are available in Mechanical, Hydraulic, and Air-Powered activations. The exclusive smooth transfer FLEX-LIP® and the versatile TELESCOPING-LIP™ models provide unique solutions to complex loading problems. Additional products include manual and hydraulic Edge Mount, XTRA-WIDE™ and BOXCAR™ levelers. All dock levelers come in a wide range of standard sizes and capacities and can be customized for replacement or to meet customer requirements.



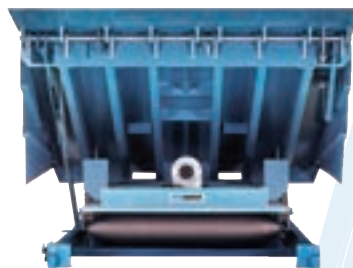
SUPER-DUTY™ SERIES



HEAVY-DUTY™ SERIES



INDUSTRIAL™ SERIES



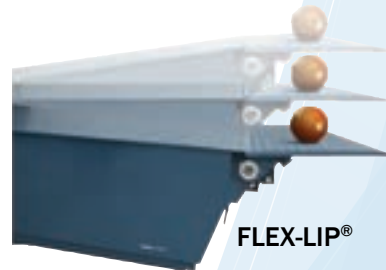
AIRDOCK® SERIES



SERIES EFH



XTRA-WIDE™ SERIES



FLEX-LIP®



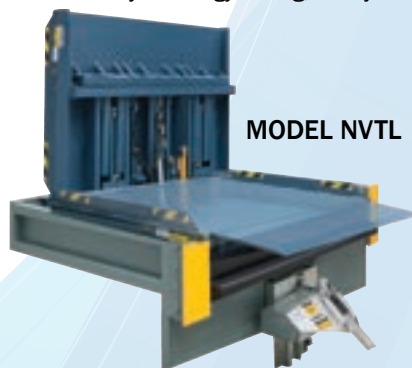
BOXCAR™ SERIES

NORDOCK® COLDSTORAGE™ LEVELERS

Vertical storing dock levelers with hinged or telescoping lip and Model TLH horizontal storing dock levelers with telescoping lip are the solution for climate controlled facilities. COLDSTORAGE™ Series dock levelers with telescoping lip combined with proprietary 360 degree sealing capability lead the industry in energy saving, safety and efficiency.



MODEL TLH



MODEL NVTL



MODEL NV

NORDOCK® SAFETY PRODUCTS

NORDOCK® safety products include rear impact guard and wheel based vehicle restraints, run-off barrier lips, barrier gates, signal lights and LOGI-SMART® integrated control panels to control and interlock all products at the loading dock. PIT-HOOK™, TRUCK-LOCK®, POSI-CHOCK™, COMBI-LOK®, DOK-CHOCK™ and FALL-STOP™ products are all designed to increase safety by preventing premature departure and run off accidents at the loading dock. Vehicle restraints are available in manual or push button designs including the industry standard SMART-HOOK® with the least amount of moving parts that keeps working when power is lost.



SMART-HOOK®



DOK-COM™



DOK-CHOCK™



LOGI-SMART®



TRUCK-LOCK®



PIT-HOOK™



NORDOCK® SEALS & SHELTERS

The WEARTOUGH® line of seals and shelters are designed to improve safety, conserve energy, and protect products from outside contaminants, while reducing costs and improving security at the loading dock. Constructed with the highest quality tear and abrasion resistant fabrics and ultra-resilient high-density foam materials, NORDOCK® seals and shelters are built to last. Comprehensive traditional compression style foam pad, foam side and rigid frame shelter, L-pad and inflatable curtain.



MULTI-SEAL™



FC SERIES



MIDNIGHT™

NORDOCK®

NORDOCK® LIFT & SPECIALTY

NORDOCK® lift products are built to last with uncompromising standard features including high dynamic camfollowers, spherical bearings, chrome pins, heavy-duty cylinders combined with more steel and a better design that simply results in a longer lasting and better performing product. Whether unloading a truck with our DOCK-LIFT™ or MAST-GUIDE™ models or lifting, turning, tilting or transferring product of any conceivable size or capacity we always strive to surpass expectations.



DOCK-LIFT™



MAST-GUIDE™



HIGH CYCLE STACKER

NEW!

ADVANTAGE PALLET TRUCK FEATURES:

Introducing Wesco's **ADVANTAGE™** Line of Pallet Trucks

- Entire Advantage™ line is backed by a 3 year warranty.
- The Advantage offers the best choice for the “value” user, offering full pallet truck features at an economical price.
- Choose from Wesco Advantage, Wesco Advantage PRO, Wesco Advantage PRO-MAX, Wesco Advantage Power, Wesco Advantage PRO-Power, and Wesco Advantage PRO-MAX Power models!



WESCO Advantage Pallet Truck

Part# 272149, Page 48



WESCO Advantage PRO Pallet Truck

Part# 274708, Page 48



WESCO Advantage PRO-MAX All-Terrain Pallet Truck

Part# 274718, Page 49

WESCO Advantage PRO-Power Fully-Electric Pallet Truck

Fork Length - 67"
Part# 273923, Page 52



LITHIUM BATTERY

WESCO Advantage PRO-Power Fully-Electric Pallet Truck

Fork Length - 65"
Part# 274703, Page 52



LITHIUM BATTERY

WESCO Advantage PRO-MAX Heavy Duty Power Pallet Truck



LITHIUM BATTERY

WESCO Advantage Power Semi-Electric Pallet Truck

Part# 274700, Page 52



LITHIUM BATTERY



1250 Welsh Rd., North Wales, PA 19454
Phone: 215-699-7031
Fax: 215-699-3836
<http://www.wescomfg.com>
<http://www.lexcoeng.com>